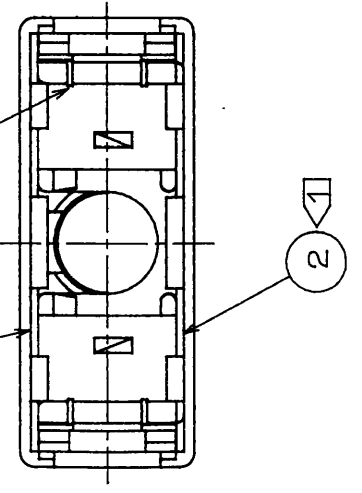
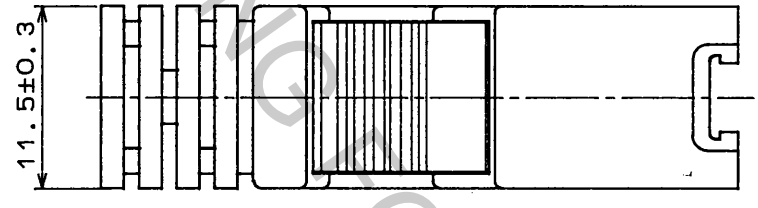
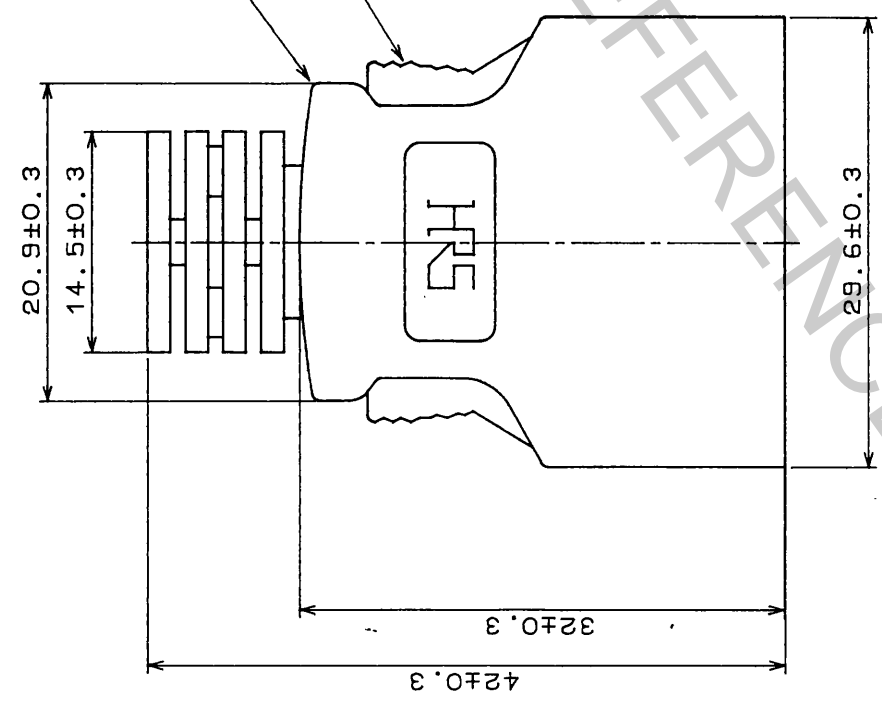
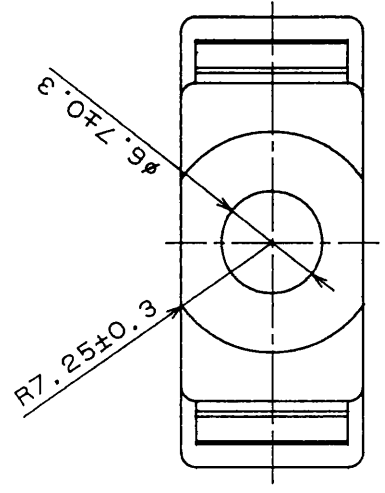


Oct. 1. 2018 Copyright 2018 HIROSE ELECTRIC CO., LTD. All Rights Reserved.  
 In case that the application demands a high level of reliability, such as automotive,  
 please contact a company representative for further information.



Note Part No. ①②③ and ⑤ shall be attached.

NO.	BY	CHKD	DATE	REVISIONS	BY	CHKD	DATE
△							
△							
△							

3	Stainless steel						
2	Stainless steel						
1	Stainless steel						
MATERIAL		FINISH, REMARKS		No. MATERIAL		FINISH, REMARKS	
APPROVED	A. Nakagawa	10.4.90		5	Polycarbonate	(Color:Light beige)UL94V-2	
REVIEWED	S. Kikita	10.4.90		4	Polycarbonate	(Color:Light beige)UL94V-2	
CHECKED	M. Nakamura	10.4.90		GENERAL DIMENSION TOLERANCE			
DESIGNED	N. NISHIMATU	10.4.90		OVER 6 to 18	±0.3		
DRAWN				OVER 18 to 50	±0.5		
				OVER 50 to 125	±1		
				OVER 125 to 250	±1.3		
				ANGULAR	±1°		
DRAWING No.	4248	UNITS	mm	SCALE	2:1	ISSUED BY	
ADIC	3F					HRS HIROSE ELECTRIC CO., LTD.	
						PART NO. DX30M-20-CV	
						COP No. CIL 230H50520H	

HRS DRAWING OR REFER TO

