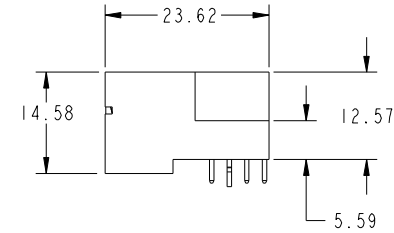
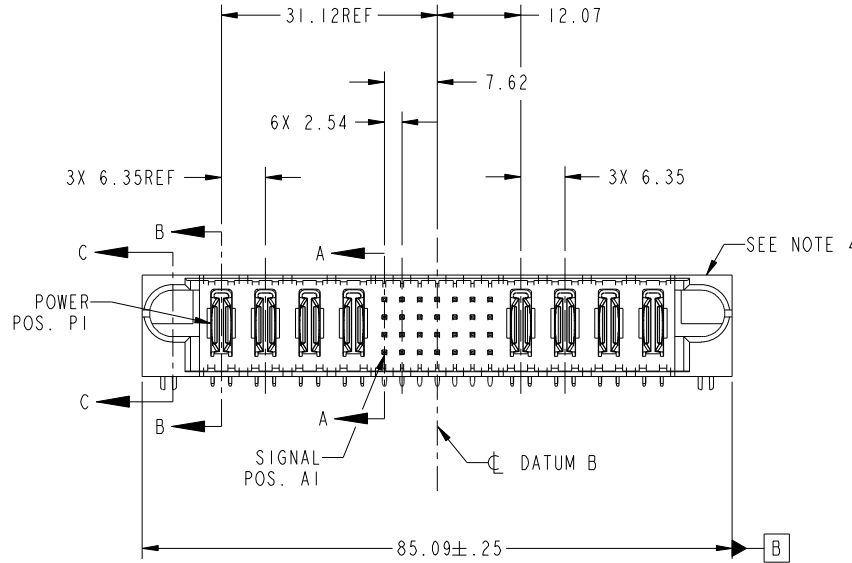


Tous droits strictement réservés. Reproduction ou communication a des tiers interdite sous quelque forme que ce soit sans autorisation écrite du propriétaire. Propriété de c FCI. Droits de reproduction FCI.

All rights strictly reserved. Reproduction or issue to third parties in any form whatever is not permitted without written authority from the proprietor. Property of FCI. Copyright FCI.



PRODUCT NO. 51730-096 NOTE:3	ROWS D C B A	POWER				SIGNAL							POWER				E2
		E1	P1	P2	P3	P4	1	2	3	4	5	6	7	P5	P6	P7	



CODE	DIM "M" MATING LENGTH	CONTACT TYPE
F	[5.59]	SIGNAL
R	[6.86]	SIGNAL
S	[6.86]	SIGNAL
T	[6.86]	SIGNAL
U	[6.86]	SIGNAL
PA	[N/A]	POWER
HA	[N/A]	HOLD-DOWN

mat'l code				SEE NOTE		tolerances unless otherwise specified		CUSTOMER	
ltr	ecn no.	dr	date	linear	0.X ± 0.5	COPY		projection	
A	V04-0549	TAB	05/26/04		0.XX ± 0.25	MIM		title	
B	DG05-0549	CS	12/19/05	angles	0.XXX ± 0.13	1:1		4P + 28S + 4P	
C	DG08-0273	JW	12/02/08		0° ± 2°			RIGHT ANGLE SOLDER HEADER	
				dr	T. BRUNGARD 05/26/04	product family		PwrBlade	
				enr	M. GRAY 05/26/04	size		code	
				chr	M. GRAY 05/26/04	dwg no		213	
				appd	M. GRAY 05/26/04	A		51730-096	
sheet index	revision sheet	C	C	C	C	scale		sheet	
		1	2	3	4			1 of 4	

www.fciconnect.com	
product family PwrBlade	
code 213	
size dwg no	
A 51730-096	
sheet 1 of 4	

sheet index	revision sheet	C	C	C	C
		1	2	3	4

cage code 22526

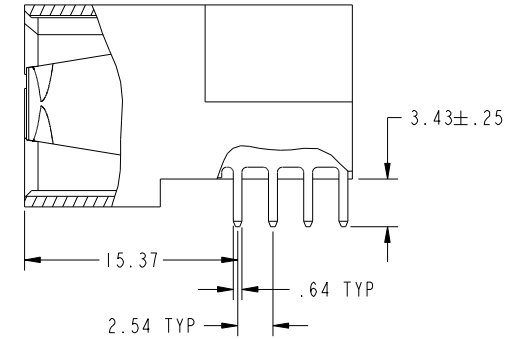
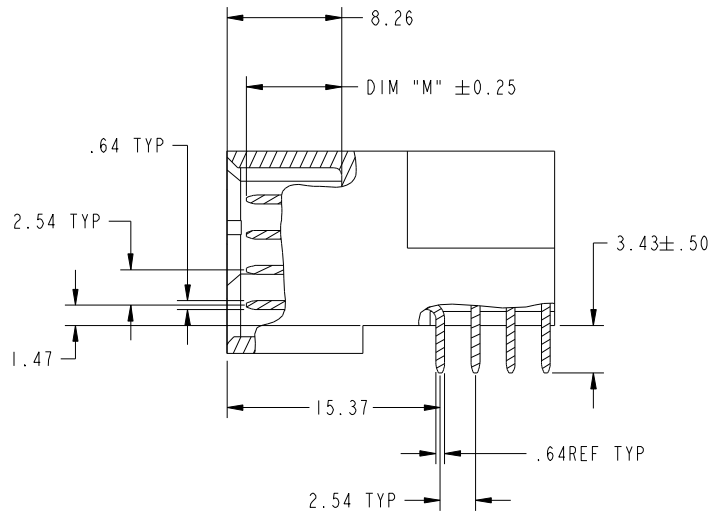
Pro/E

Tous droits strictement reserves. Reproduction ou communication a des tiers interdite sous quelque forme que ce soit sans autorisation écrite du propriétaire. Propriete de c FCI. Droits de reproduction FCI.



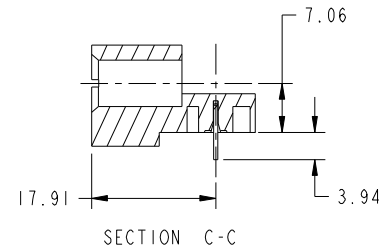
All rights strictly reserved. Reproduction or issue to third parties in any form whatever is not permitted without written authority from the proprietor. Property of FCI. Copyright FCI.

PRODUCT NUMBER
51730-096--
NOTE: 3



△ BROKEN-OUT SECTION B-B
SCALE 2:1

BROKEN-OUT SECTION A-A
SCALE 2:1



mat'l code		SEE NOTE		tolerances unless otherwise specified		CUSTOMER		www.fciconnect.com	
ltr	ecn no.	dr	date	linear	0.X ±0.5	COPY		title	
C					0.XX ±0.25	projection		4P + 28S + 4P RIGHT ANGLE SOLDER HEADER	
				angles	0.XXX ±0.13			product family	
				dr	0° ±2°	MIM		PwrBlade	
				enr	T. BRUNGARD 05/26/04	scale		code	
				chr	M. GRAY 05/26/04	1:1		213	
				appd	M. GRAY 05/26/04	A		51730-096	
sheet index	revision sheet							sheet 2	

cage code 22526

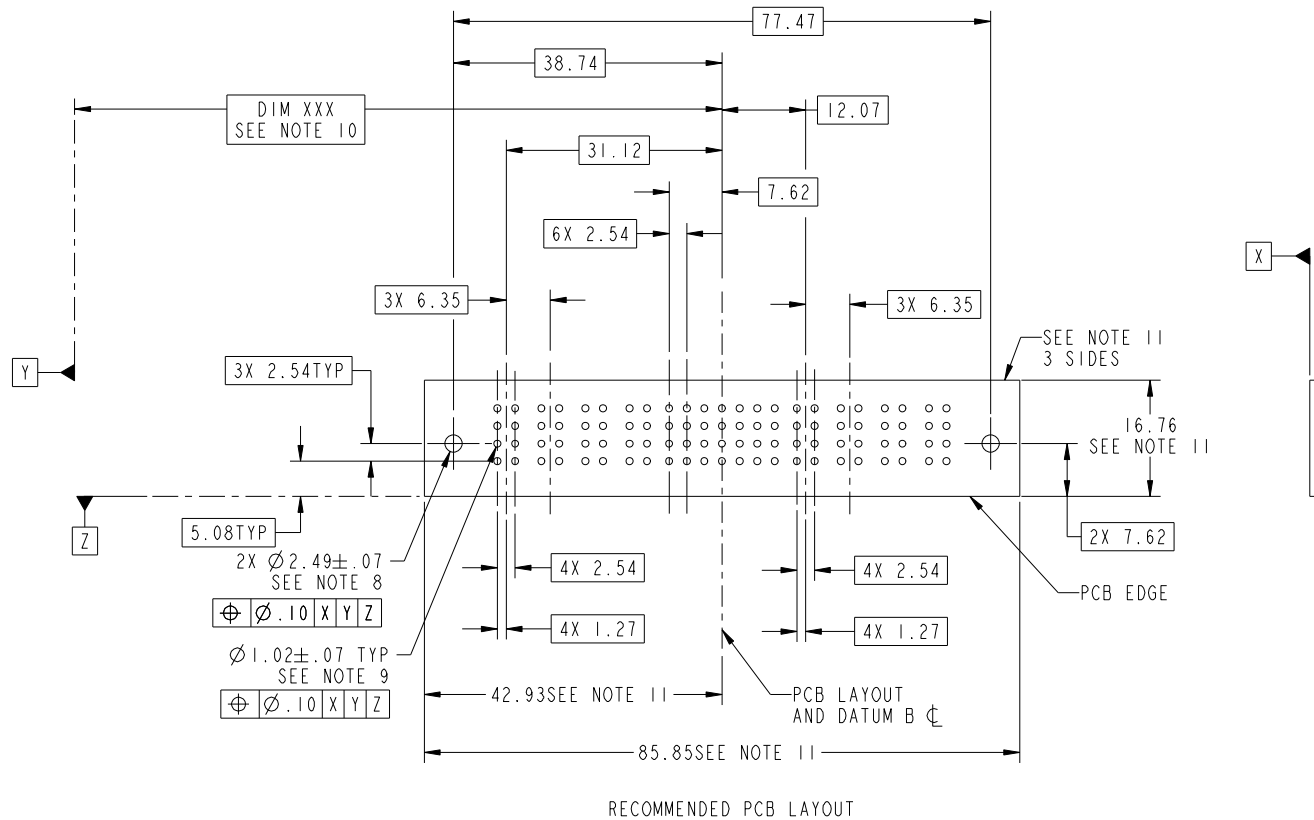
Pro/E

Tous droits strictement reserves. Reproduction ou communication a des tiers interdite sous quelque forme que ce soit sans autorisation écrite du propriétaire. Propriete de c FCI. Droits de reproduction FCI.



All rights strictly reserved. Reproduction or issue to third parties in any form whatever is not permitted without written authority from the proprietor. Property of FCI. Copyright FCI.

PRODUCT NUMBER
51730-096--
NOTE: 3



RECOMMENDED PCB LAYOUT

mat'l code		SEE NOTE		tolerances unless otherwise specified		CUSTOMER		www.fciconnect.com	
ltr	ecn no.	dr	date	linear	0.X ±0.5	COPY		title	
C					0.XX ±0.25	projection		4P + 28S + 4P	
				angles	0.XXX ±0.13			RIGHT ANGLE SOLDER HEADER	
				dr	0° ±2°			product family PwrBlade code	
				enr	T. BRUNGARD 05/26/04			size 213	
				chr	M. GRAY 05/26/04	scale		dwg no 3	
				appd	M. GRAY 05/26/04	1:1		sheet 3	
sheet index		revision sheet						cage code	

cage code 22526

Pro/E

Tous droits strictement reserves. Reproduction ou communication a des tiers interdite sous quelque forme que ce soit sans autorisation écrite du propriétaire. Propriete de c FCI. Droits de reproduction FCI.



All rights strictly reserved. Reproduction or issue to third parties in any form whatever is not permitted without written authority from the proprietor. Property of FCI. Copyright FCI.

PRODUCT NUMBER
51730-096--
NOTE: 3

NOTES:

1. DIMENSIONS AND TOLERANCES ARE IN ACCORDANCE WITH ASME Y14.5M, 1994 UNLESS OTHERWISE SPECIFIED.

CONNECTOR NOTES:

- 2. HOUSING MATERIAL: UL 94 V-0 GLASS FILLED HIGH-TEMP THERMOPLASTIC
POWER CONTACT MATERIAL: COPPER ALLOY
SIGNAL PIN MATERIAL: COPPER ALLOY
 - 3. PLATING:
SEE ITEM 1 & 2 IN PRINT 10064183 FOR PLATING SPEC OF 51730-096; 51730-096LF PRESPECTIVELY
 - 4. MANUFACTURER'S NAME, P/N, AND DATE CODE TO APPEAR ON THIS SURFACE.
 - 5. PRODUCT SPECIFICATION GS-12-149.
APPLICATION SPECIFICATION BUS-20-067.
 - 6. PACKAGED IN TRAYS.
- PCB NOTES:
- 7. ALL HOLE DIAMETERS ARE FINISHED HOLE SIZE.
 - 8. MOUNTING HOLES, WHERE APPLICABLE, ARE UNPLATED.
 - 9. $\varnothing 1.151 \pm 0.025$ DRILLED HOLES PLATED WITH 0.008 MIN SnPb OVER 0.03 TO 0.08 Cu PLATING TO ACHIEVE $\varnothing 1.02 \pm .07$ HOLE.
 - 10. "DIM XXX" TO BE DETERMINED BY THE CUSTOMER.
 - 11. CONNECTOR KEEP-OUT ZONE.
 - 12. A Δ SYMBOL WILL BE NEXT TO ANY DIMENSION, VIEW, OR NOTE WHICH HAS BEEN MODIFIED WITH THE CURRENT DRAWING REVISION.

mat'l code		SEE NOTE		tolerances unless otherwise specified		CUSTOMER		www.fciconnect.com	
ltr	ecn no.	dr	date	linear	0.X ± 0.5	COPY		title 4P + 28S + 4P RIGHT ANGLE SOLDER HEADER	
C					0.XX ± 0.25	projection			
				angles	0.XXX ± 0.13				
				dr	T. BRUNGARD 05/26/04	MIM		product family	PwrBlade
				enrg	M. GRAY 05/26/04			size	code
				chr	M. GRAY 05/26/04	scale		dwg no	213
				appd	M. GRAY 05/26/04	1:1		sheet	4
sheet index	revision sheet								

cage code 22526

Pro/E