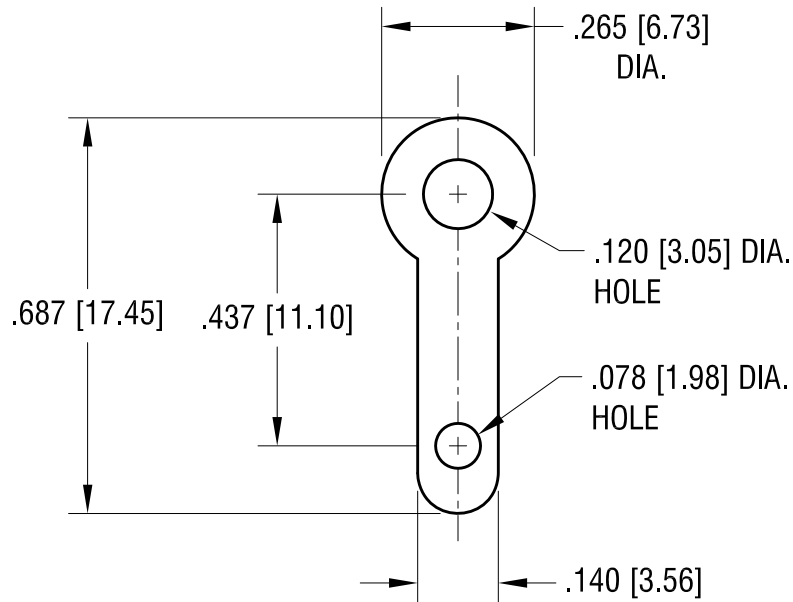
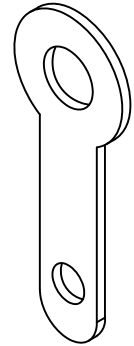


THIS DOCUMENT IS THE PROPERTY OF  
KEYSTONE ELECTRONICS CORP. AND  
SHALL NOT BE REPRODUCED, DISTRIBUTED  
OR USED AS A BASIS FOR MANUFACTURE  
WITHOUT PRIOR WRITTEN PERMISSION  
FROM KEYSTONE ELECTRONICS CORP.



**KEYSTONE ELECTRONICS CORP.**

www.keyelco.com • ASTORIA, N.Y. 11105-2017 • Tel (718) 956-8900

PART NAME  
**SOLDER TERMINAL LUG**

MATERIAL  
**.020 [0.50] TH'K BRASS**

FINISH <b>MATTE TIN PLATE</b>	DRN BY <b>BOONE</b>	DATE <b>3.15.84</b>
	APP'D <b>LN</b>	SCALE <b>3X</b>

TOLERANCES DECIMAL ANGULAR	INCH [MM] $\pm .005$ [ $\pm 0.15$ ] $\pm 1^\circ$	CODE <b>C</b>	DWG NO. <b>7325</b>
UNLESS OTHERWISE SPECIFIED			

6.25.09	CHANGE AS PER ECN 09-082	B
1.9.08	CHANGE AS PER ECN 08-041	A
DATE	DESCRIPTION	REV.