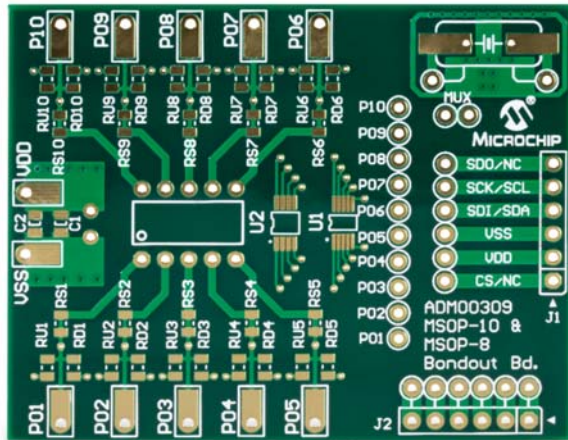




MSOP-10 and MSOP-8 Evaluation Board

Part Number: ADM00309



The MSOP-10 and MSOP-8 Evaluation Board is a bond-out board that allows the system designer to quickly evaluate the operation of Microchip Technology's devices in any of the following packages:

- MSOP(8-and10-pin)
- DIP (10pin)

Note: The Evaluation Board can be used as a MSOP- to DIP- converter

Features

The MSOP-10 and MSOP-8 Evaluation Board has the following features:

- Connection terminals may be either through-hole or surface-mount
- Three types of footprints supported:
 1. MSOP-10
 2. MSOP-8
 3. DIP-10
- Footprints for optional passive components (SMT [0805] footprint) for:
 - Power supply filtering
 - Device bypass capacitor
 - Filtering
 - Pull-up resistor
 - Pull-down resistor
 - Loading resistor
 - In-line resistor

- Crystal oscillator capacitors
- Silk-screen area to write specifics of implemented circuit (on back of PCB), such as MCP48FEB22-E/UN.
- PICkit Serial Analyzer and/or PICkit Programming (ICSP) Header
- Crystal / ceramic resonator circuit footprints, SMT and THT
- Second 1x6 in-line connector header

Package Contents

This MSOP-10 and MSOP-8 Evaluation Board Kit includes:

- 10 blank PCBs (MSOP-10 and MSOP-8 Evaluation Board)
- Important Information sheet