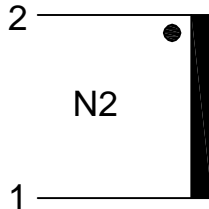


Product Type	Current transformer 100A
AMGIS Part Number	ASM-100
Customer Part Number	
Customer	

SCHEMATIC:



ELECTRICAL SPECIFICATION:

- Rated input current : 5 - 100 Amps
- Primary to Secondary isolation : 2500VAC
- Operating frequency : 50 / 60Hz
- Operating temperature range : -40°C to +120°C

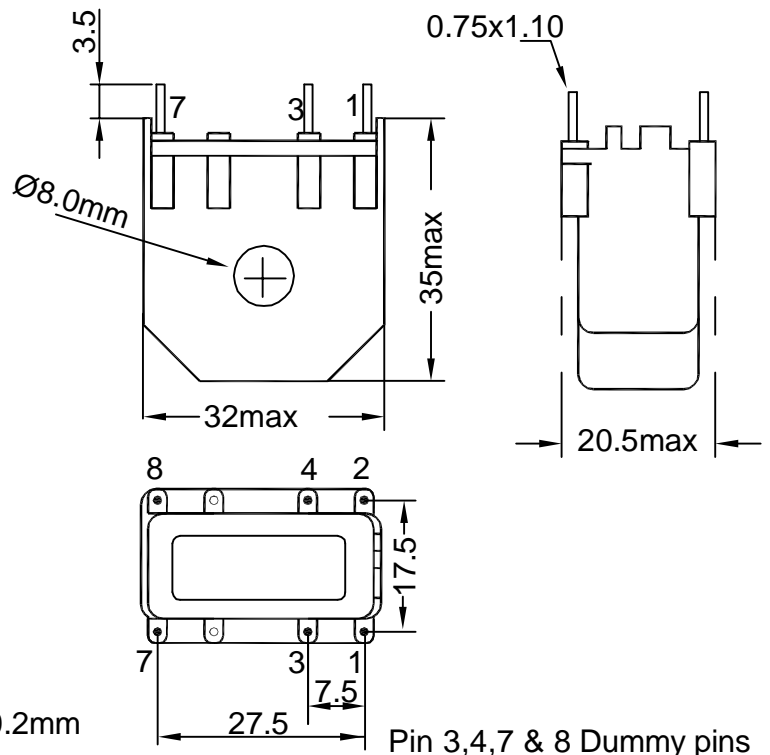
LOAD TEST DETAILS:

I_p=100A
 R_L=220Ω
 U_s=128mV±10%

MARKING INFORMATION:

AT Ⓢ
 YY/Wk code ASM-100

MECHANICAL DIMENSIONS:



All dimensions are in mm
 Linear dimensional tolerance ±0.2mm

-----Issued-----	1	0	Anidha.K	04-Nov '10
Changes	Issue	Rev	Initial	Date