

CMR1-02 CMR1-06  
 CMR1-04 CMR1-10

**SURFACE MOUNT  
 GENERAL PURPOSE  
 SILICON RECTIFIER  
 1 AMP, 200 THRU 1000 VOLTS**



[www.centrasemi.com](http://www.centrasemi.com)



**SMB CASE**

**DESCRIPTION:**

The CENTRAL SEMICONDUCTOR CMR1-02 Series 1.0 Amp Surface Mount Silicon Rectifier is a high quality, well constructed, highly reliable component designed for use in all types of commercial, industrial, entertainment, computer, and automotive applications. To order devices on 12mm Tape and Reel (3000/13" Reel), add TR13 suffix to part number.

**MARKING CODE: SEE MARKING CODE TABLE ON FOLLOWING PAGE**

**FEATURES:**

- Special selections available
- Low cost
- Superior lot to lot consistency
- High reliability
- "C" bend construction provides strain relief when mounted on pc board
- Glass passivated chip

**MAXIMUM RATINGS:** ( $T_A=25^\circ\text{C}$  unless otherwise noted)

	SYMBOL	CMR1-02	CMR1-04	CMR1-06	CMR1-10	UNITS
Peak Repetitive Reverse Voltage	$V_{RRM}$	200	400	600	1000	V
DC Blocking Voltage	$V_R$	200	400	600	1000	V
RMS Reverse Voltage	$V_{R(RMS)}$	140	280	420	700	V
Average Forward Current ( $T_A=75^\circ\text{C}$ )	$I_O$			1.0		A
Peak Forward Surge Current, $t_p=8.3\text{ms}$	$I_{FSM}$			30		A
Operating and Storage Junction Temperature	$T_J, T_{stg}$			-65 to +175		$^\circ\text{C}$
Thermal Resistance	$\theta_{JL}$			20		$^\circ\text{C/W}$

**ELECTRICAL CHARACTERISTICS:** ( $T_A=25^\circ\text{C}$  unless otherwise noted)

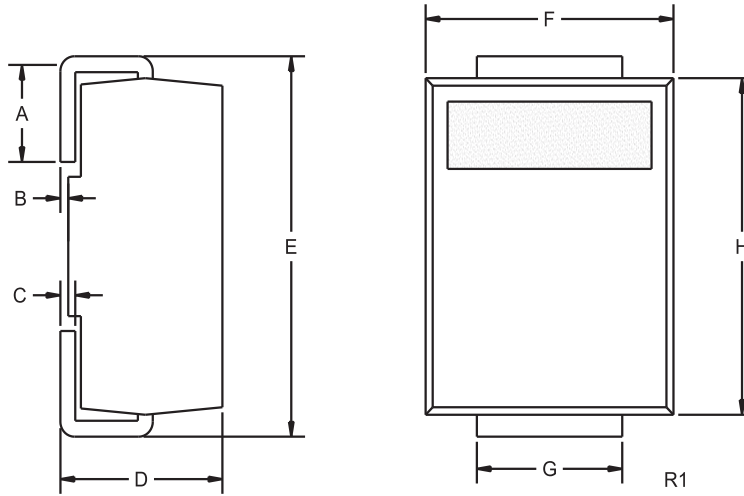
SYMBOL	TEST CONDITIONS	MAX	UNITS
$I_R$	$V_R=\text{Rated } V_{RRM}$	10	$\mu\text{A}$
$I_R$	$V_R=\text{Rated } V_{RRM}, T_A=125^\circ\text{C}$	50	$\mu\text{A}$
$V_F$	$I_F=1.0\text{A}$	1.1	V

CMR1-02 CMR1-06  
 CMR1-04 CMR1-10



**SURFACE MOUNT  
 GENERAL PURPOSE  
 SILICON RECTIFIER  
 1 AMP, 200 THRU 1000 VOLTS**

**SMB CASE - MECHANICAL OUTLINE**



DEVICE	MARKING CODE
CMR1-02	C02
CMR1-04	C04
CMR1-06	C06
CMR1-10	C10

SYMBOL	DIMENSIONS			
	INCHES		MILLIMETERS	
	MIN	MAX	MIN	MAX
A	0.030	0.060	0.76	1.52
B	0.004	0.008	0.10	0.20
C	0.006	0.012	0.15	0.30
D	0.086	0.096	2.18	2.44
E	0.200	0.220	5.08	5.59
F	0.130	0.150	3.30	3.81
G	0.077	0.083	1.96	2.11
H	0.160	0.180	4.06	4.57

SMB (REV: R1)

R5 (3-February 2010)

## OUTSTANDING SUPPORT AND SUPERIOR SERVICES



---

### PRODUCT SUPPORT

Central's operations team provides the highest level of support to insure product is delivered on-time.

- Supply management (Customer portals)
- Inventory bonding
- Consolidated shipping options
- Custom bar coding for shipments
- Custom product packing

---

### DESIGNER SUPPORT/SERVICES

Central's applications engineering team is ready to discuss your design challenges. Just ask.

- Free quick ship samples (2<sup>nd</sup> day air)
- Online technical data and parametric search
- SPICE models
- Custom electrical curves
- Environmental regulation compliance
- Customer specific screening
- Up-screening capabilities
- Special wafer diffusions
- PbSn plating options
- Package details
- Application notes
- Application and design sample kits
- Custom product and package development

---

### REQUESTING PRODUCT PLATING

1. If requesting Tin/Lead plated devices, add the suffix "TIN/LEAD" to the part number when ordering (example: 2N2222A TIN/LEAD).
2. If requesting Lead (Pb) Free plated devices, add the suffix "PBFREE" to the part number when ordering (example: 2N2222A PBFREE).

---

### CONTACT US

#### Corporate Headquarters & Customer Support Team

Central Semiconductor Corp.  
145 Adams Avenue  
Hauppauge, NY 11788 USA  
Main Tel: (631) 435-1110  
Main Fax: (631) 435-1824  
Support Team Fax: (631) 435-3388  
[www.centrasemi.com](http://www.centrasemi.com)

**Worldwide Field Representatives:**  
[www.centrasemi.com/wwreps](http://www.centrasemi.com/wwreps)

**Worldwide Distributors:**  
[www.centrasemi.com/wwdistributors](http://www.centrasemi.com/wwdistributors)

---

For the latest version of Central Semiconductor's **LIMITATIONS AND DAMAGES DISCLAIMER**, which is part of Central's Standard Terms and Conditions of sale, visit: [www.centrasemi.com/terms](http://www.centrasemi.com/terms)