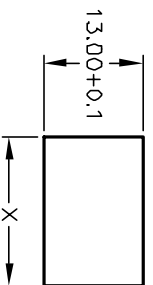


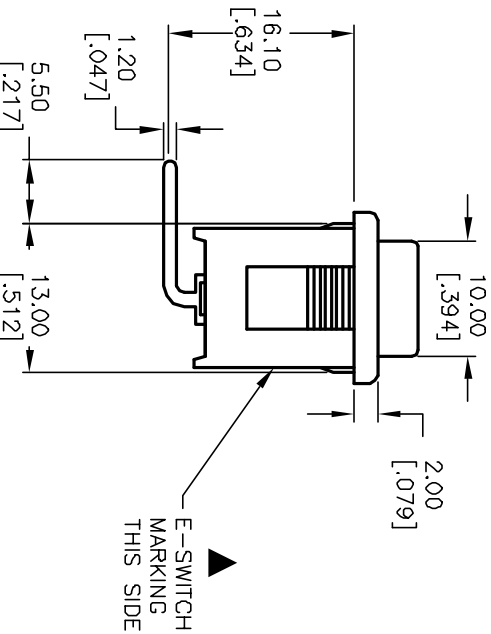
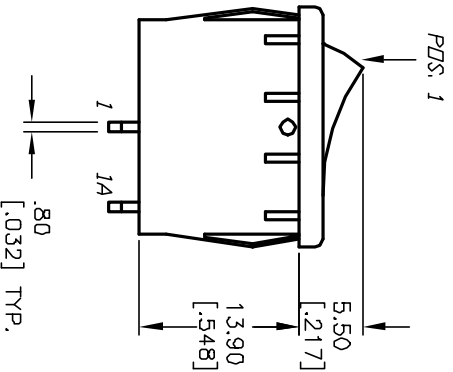
RECOMMENDED P.C.B. LAYOUT

PANEL THICKNESS	X dimension
0.75-1.25 [0.030-0.049]	19.2-0.1 [0.756]
1.25-2.0 [0.049-0.079]	19.4-0.1 [0.764]
2.0-3.0 [0.079-0.118]	19.8-0.1 [0.780]

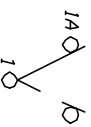


PANEL CUTOUT  
NOT TO SCALE

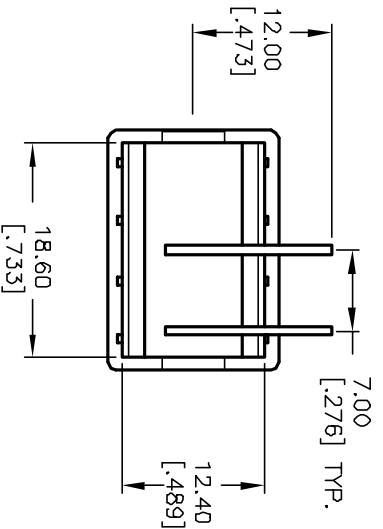
SWITCH FUNCTION	POS. 1	POS. 2
DN	DN	OFF
1-1a	OPEN	



E-SWITCH MARKING THIS SIDE



CIRCUIT: SPST



NOTES:

1. ALL DIMENSIONS IN MM [INCH]
2. GENERAL TOLERANCE: X.X=±0.4 X.XX=±0.25
3. TERMINAL NUMBERS FOR REF ONLY
4. RATING: 15A @ 125VAC OR 6A @ 250VAC
5. MATERIALS: TERMINALS: Silver Plated Copper Alloy CONTACTS: Coin Silver, Silver Plated
6. ELECTRIC LIFE: 10,000 cycles
7. CONTACT RESISTANCE: <20 Mega Ω
8. INSULATION RESISTANCE: >1000 Mega Ω
9. DIELECTRIC STRENGTH: >1500 V 1 minute >3000 V between poles

**E-SWITCH®**

REV.	ECN No.	DESCRIPTION	DATE	CHKD	SCALE	DATE	DR	DWG	REV
B	13007	RELEASED FOR PRODUCTION	4/7/03	AR	1.5:1	4/7/03	AR	M301222	A
THE INFORMATION CONTAINED IN THIS DOCUMENT IS PROPRIETARY TO E-SWITCH AND IS NOT TO BE COPIED OR TRANSMITTED									
TITLE					R19664 BLK BLK G L				