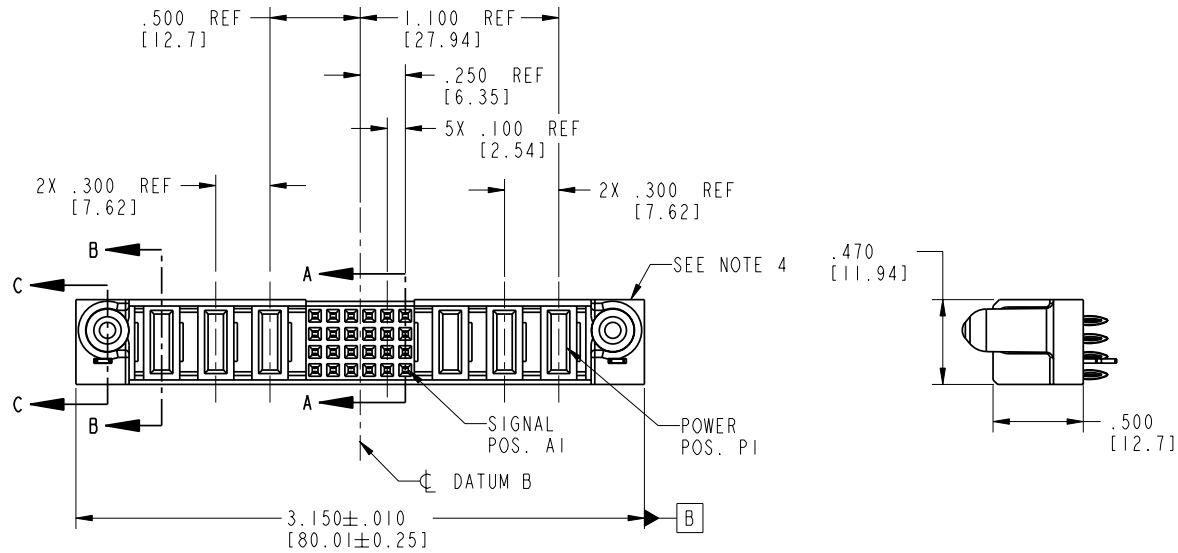


Tous droits strictement réservés. Reproduction ou communication à des tiers interdite sans quelque forme que ce soit sans autorisation écrite du propriétaire. Propriété de c FCI. Droits de reproduction FCI.



All rights strictly reserved. Reproduction or issue to third parties in any form whatever is not permitted without written authority from the proprietor. Property of FCI. Copyright FCI.

PRODUCT NO.	ROWS	POWER				SIGNAL				POWER					
		E2	P6	P5	P4	6	5	4	3	2	1	P3	P2	P1	E1
51940-119-- NOTE 3	D C A		PC	PC	PC	F	F	F	F	F	F	PC	PC	PC	



CODE	DIM "M" MATING LENGTH	CONTACT TYPE
F	N/A [N/A]	SIGNAL
PC	.042 [1.07]	POWER
HA	N/A [N/A]	HOLD-DOWN

mat'l code				SEE NOTE 2		tolerances unless otherwise specified		CUSTOMER		FCI	
lfr	ecn no.	dr	date	linear	angles	COPY		projection		www.fciconnect.com	
A	V05-0138	TAB	02/07/05	.XX±.01/0.X±0.3	0°±2°	COPY		3P + 24S + 3P		title	
B	DG06-0232	RYAN	0614/06	.XXX±.005/0.XX±0.13		COPY		VERTICAL PRESS-FIT RECEPT		product family	
				.XXX±.0020/0.XXX±0.051		INCH/MM		PwrBlade		code	
						scale		A		213	
						1:1		51940-119		sheet	
sheet index	revision	B	B	B	B					1 of 4	
	sheet	1	2	3	4						

cage code 22526

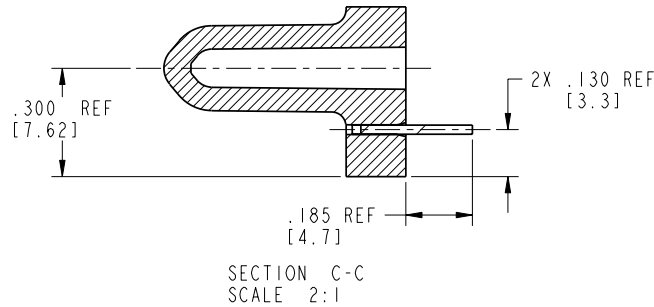
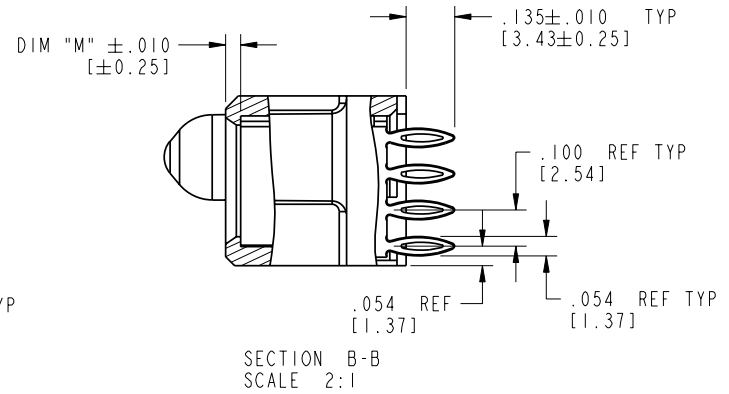
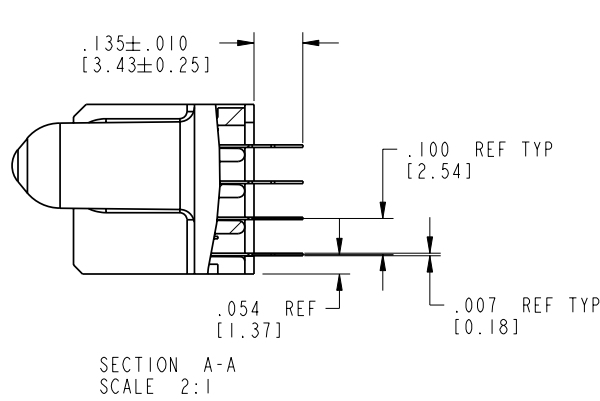
Pro/E

Tous droits strictement reserves. Reproduction ou communication a des tiers interdite sous quelque forme que ce soit sans autorisation ecrite du proprietaire. Propriete de c FCI. Droits de reproduction FCI.

All rights strictly reserved. Reproduction or issue to third parties in any form whatever is not permitted without written authority from the proprietor. Property of FCI. Copyright FCI.



PRODUCT NUMBER
51940-119--
NOTE 3



mat'l code		SEE NOTE 2		tolerances unless otherwise specified		CUSTOMER		FCI	
lfr	ecn no.	dr	date	linear	.XX±.01/0.X±0.3	COPY		www.fciconnect.com	
B					.XXX±.005/0.XX±0.13	projection		title 3P + 24S + 3P	
				angles	.XXX±.002/0.XXX±0.051			VERTICAL PRESS-FIT RECEPT	
				dr	0°±2°	INCH/MM		product family PwrBlade code 213	
				enrg	T. BRUNGARD 02/07/05	scale 1:1		size dwg no 51940-119 sheet 2 of 4	
				chr	L. HAO 02/07/05				
				appd	L. HAO 02/07/05				
sheet index		revision sheet							

cage code 22526

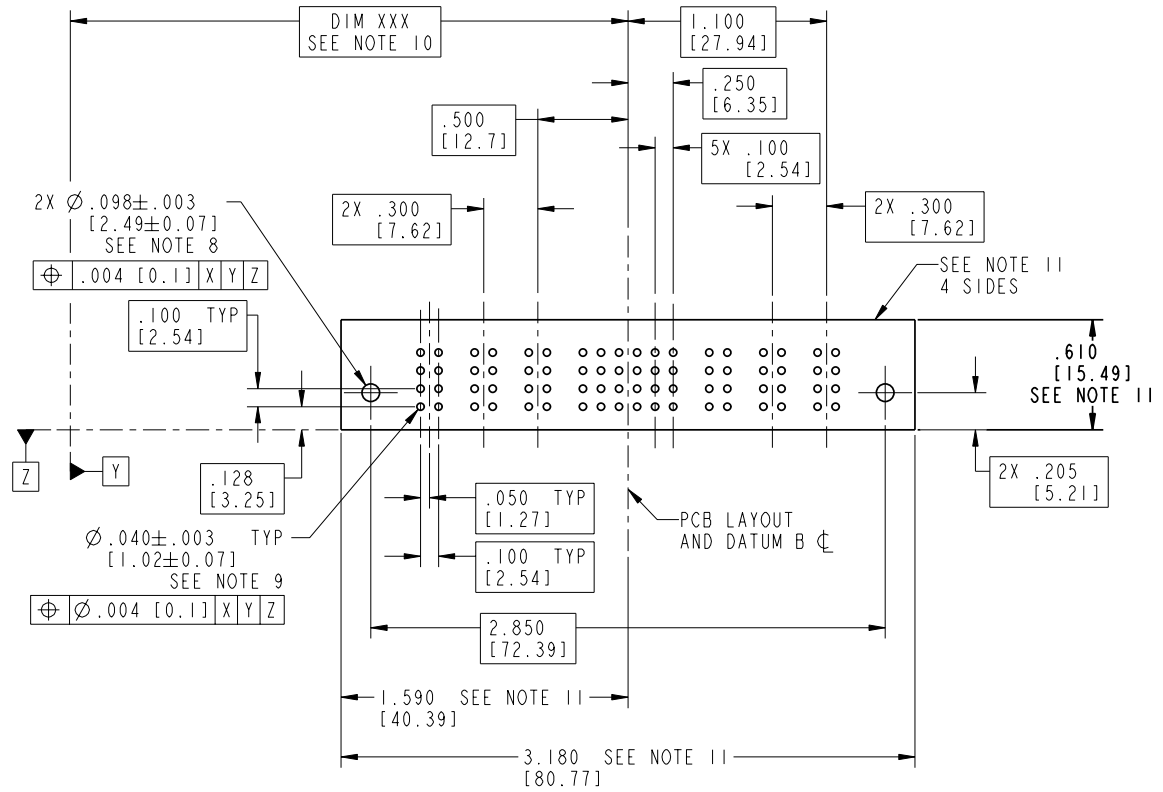
Pro/E

Tous droits strictement réservés. Reproduction ou communication à des tiers interdite sans quelque forme que ce soit sans autorisation écrite du propriétaire. Propriété de c FCI. Droits de reproduction FCI.



All rights strictly reserved. Reproduction or issue to third parties in any form whatever is not permitted without written authority from the proprietor. Property of FCI. Copyright FCI.

PRODUCT NUMBER
51940-119--
NOTE 3



mat'l code				SEE NOTE 2		tolerances unless otherwise specified		CUSTOMER		FCI		
lfr	ecn no.	dr	date	linear	.XX±.01/0.X±0.3	COPY		www.fciconnect.com		title		
B					.XXX±.005/0.XX±0.13	projection		3P + 24S + 3P		VERTICAL PRESS-FIT RECEPT		
				angles	.XXX±.002/0.XXX±0.051	INCH/MM		product family		code		
				dr	0°±2°	scale		PwrBlade		213		
				enrg	T. BRUNGARD 02/07/05	1:1		size		sheet		
				chr	L. HAO 02/07/05			A		3 of 4		
				appd	L. HAO 02/07/05			51940-119				
sheet index	revision sheet											

cage code 22526

Tous droits strictement réservés. Reproduction ou communication à des tiers interdite sans quelque forme que ce soit sans autorisation écrite du propriétaire. Propriété de c FCI. Droits de reproduction FCI.



All rights strictly reserved. Reproduction or issue to third parties in any form without written authority from the proprietor. Property of FCI. Copyright FCI.

1 | 2

3 |

4

PRODUCT NUMBER

51940-119__
NOTE 3

NOTES:

1. DIMENSIONS AND TOLERANCES ARE IN ACCORDANCE WITH ASME Y14.5M, 1994 UNLESS OTHERWISE SPECIFIED.

CONNECTOR NOTES:

- 2 HOUSING MATERIAL: UL 94 V-0 GLASS FILLED
HIGH-TEMP THERMOPLASTIC
POWER CONTACT MATERIAL: COPPER ALLOY
SIGNAL PIN MATERIAL: COPPER ALLOY
- 3. PLATING:
SEE PRINT 10064183 FOR PLATING SPEC OF 51940-119; 51940-119LF

4 MANUFACTURER'S NAME, P/N, AND DATE CODE TO APPEAR ON THIS SURFACE.

5. PRODUCT SPECIFICATION GS-12-149.
APPLICATION SPECIFICATION BUS-20-067.

6. PACKAGED IN TRAYS.

PCB NOTES:

7. ALL HOLE DIAMETERS ARE FINISHED HOLE SIZE.

8 MOUNTING HOLES, WHERE APPLICABLE, ARE UNPLATED.

9 $\varnothing .0453 \pm .0010$ [1.151 ± 0.025] DRILLED HOLES PLATED WITH
.0003 [0.008] MIN SnPb OVER .001 [0.03]
TO .003 [0.08] Cu PLATING TO ACHIEVE
 $\varnothing .040 \pm .003$ [1.02 ± .07] HOLE.

10 "DIM XXX" TO BE DETERMINED BY THE CUSTOMER.

11 CONNECTOR KEEP-OUT ZONE.

mat'l code				SEE NOTE 2		tolerances unless otherwise specified		CUSTOMER		FCI	
lfr	ecr no.	dr	date	linear	.XX±.01/0.X±0.3	projection		COPY		www.fciconnect.com	
B					.XXX±.005/0.XX±0.13			title		3P + 24S + 3P	
				angles	.XXX±.002/0.XXX±0.051			VERTICAL PRESS-FIT RECEIPT			
				dr	T. BRUNGARD 02/07/05	INCH/MM		product family		PwrBlade	
				enrg	L. HAO 02/07/05	scale		size		213	
				chr	L. HAO 02/07/05	1:1		dwg no		sheet	
				appd	L. HAO 02/07/05			51940-119		4 of 4	
sheet index		revision sheet									

A

A

B

B

1 | 2

3 |

4

Pro/E

cage code 22526