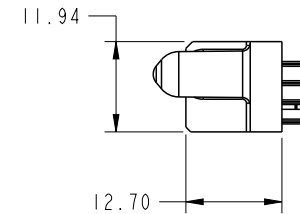
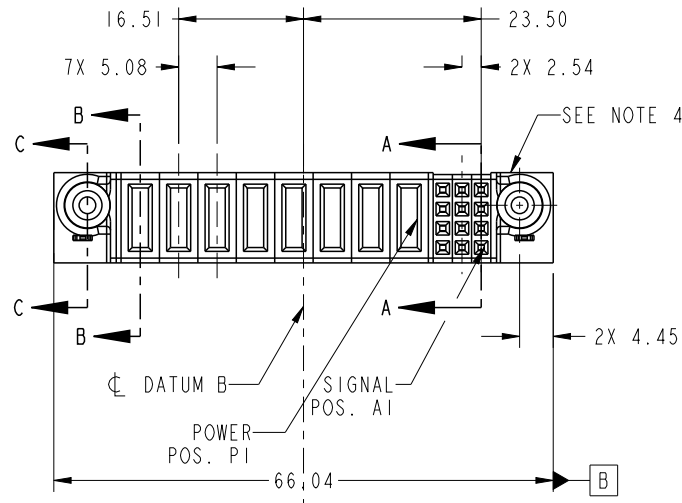


PRODUCT NO. 51940-389-- NOTE: 3	ROWS D C B A	POWER								SIGNAL			
		E2	P8	P7	P6	P5	P4	P3	P2	P1	3	2	1

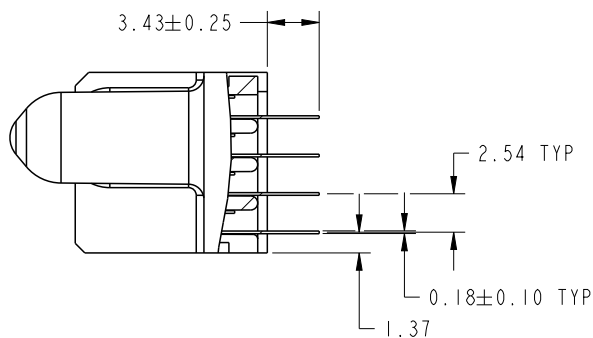


CODE	DIM "M" MATING LENGTH	CONTACT TYPE
E	[N/A]	SIGNAL
PA	[1.07]	POWER
HA	[N/A]	HOLD-DOWN

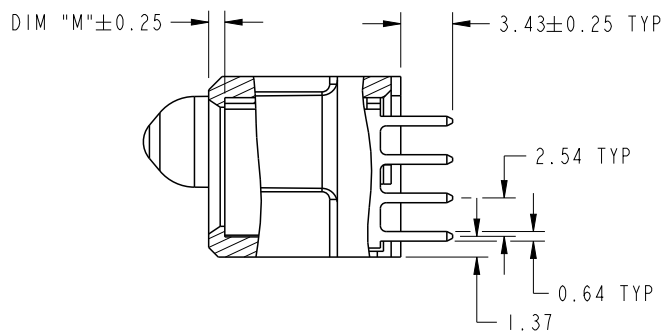
spec ref	SEE NOTES		dr	Anson Liu	2011/05/16	projection 	MM ←→	size	A4	scale	1:1		
tolerance std	TOLERANCES UNLESS OTHERWISE SPECIFIED		eng	Anson Liu	2011/07/04			ecn no	-				
SEE NOTES			chr	-	-			rel level	Released				
surface	linear	0.X ±0.50	FCj www.fci.com	title			12S + 8P VERTICAL STB RECEPT	dwg no	51940-389	rev	A		
		0.XX ±0.25		cat. no.								Product - Customer Drw	sheet 1 of 4
	angular	0° ±2°											

PRODUCT NUMBER

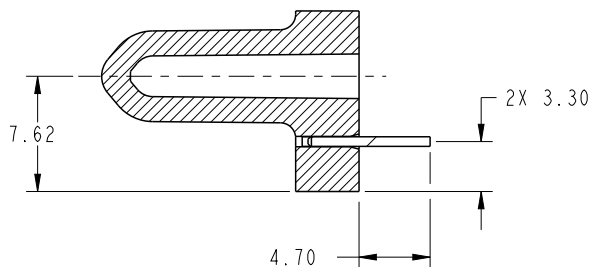
51940-389_
NOTE: 3



SECTION A-A
SCALE 2:1



SECTION B-B
SCALE 2:1

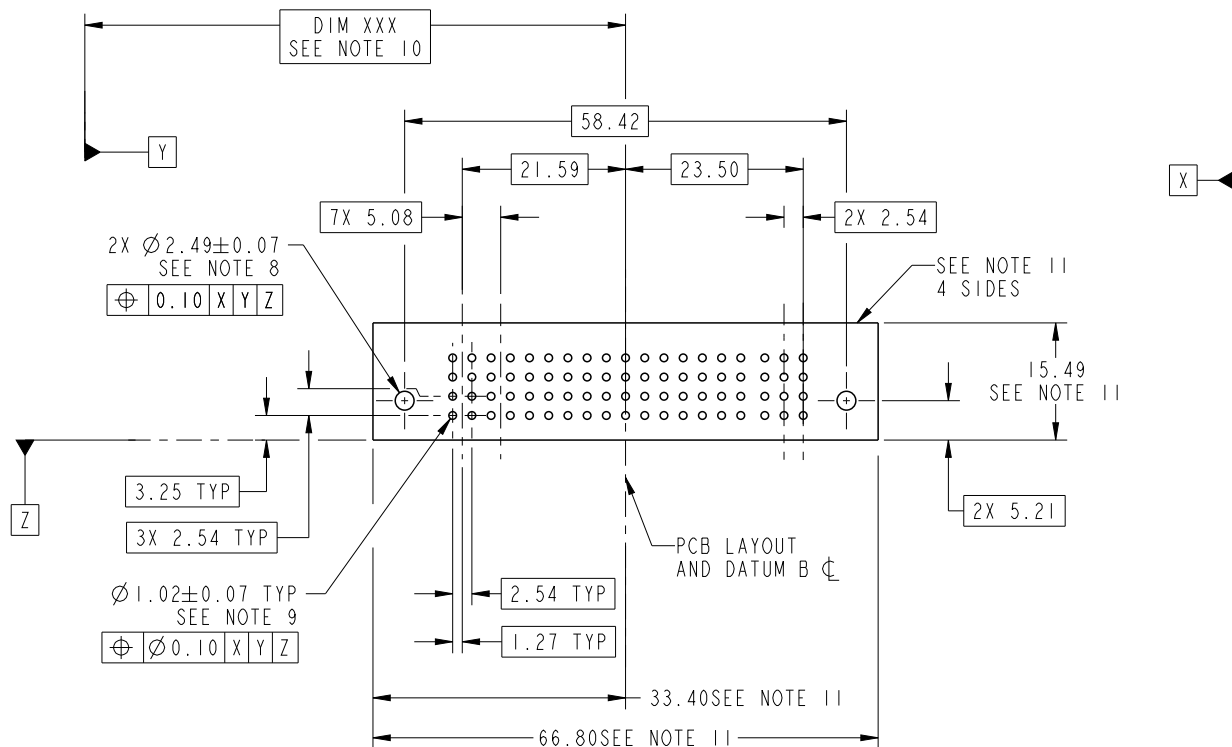


SECTION C-C
SCALE 2:1

spec ref	SEE NOTES			dr	Anson Liu	2011/05/16	projection 	MM ←→	size	A4	scale	1:1	
tolerance std	TOLERANCES UNLESS OTHERWISE SPECIFIED			eng	Anson Liu	2011/07/04			ecn no	-			
SEE NOTES				chr	-	-				-			
surface	✓	linear	0.X	±0.50	appr	Pei-Ming Zheng	2011/07/05	product family	PwrBlade		rel level	Released	
				0.XX	±0.25			title	12S + 8P	dwg no	51940-389	rev	A
				0.XXX	±0.10								
		angular	0°	±2°	www.fci.com	cat. no.	Product - Customer Drw			sheet 2 of 4			

PRODUCT NUMBER

51940-389_
NOTE: 3



RECOMMENDED PCB LAYOUT

spec ref	SEE NOTES			dr	Anson Liu	2011/05/16	projection	MM	size	A4	scale	1:1	
tolerance std	TOLERANCES UNLESS OTHERWISE SPECIFIED			eng	Anson Liu	2011/07/04				ecn no	-		
SEE NOTES				chr	-	-				rel level	Released		
surface		linear	0.X	±0.50		title 12S + 8P VERTICAL STB RECEPT cat. no.	product family PwrBlade	dwg no 51940-389	rev A	Product - Customer Drw		sheet 3 of 4	
			0.XX	±0.25						www.fci.com	Product - Customer Drw		sheet 3 of 4
		angular	0°	±2°							Product - Customer Drw		sheet 3 of 4

PRODUCT NUMBER

51940-389__
NOTE: 3

NOTES:

1. DIMENSIONS AND TOLERANCES ARE IN ACCORDANCE WITH ASME Y14.5M, 1994 UNLESS OTHERWISE SPECIFIED.

CONNECTOR NOTES:

- ② HOUSING MATERIAL: UL 94 V-0 GLASS FILLED HIGH-TEMP THERMOPLASTIC
POWER CONTACT MATERIAL: COPPER ALLOY
SIGNAL PIN MATERIAL: COPPER ALLOY
- 3. SEE ITEM 5 & 6 IN PRINT 10064183 FOR PLATING SPEC OF 51940-389 AND 51940-389LF RESPECTIVELY.
- ④ MANUFACTURER'S NAME, DATE CODE AND OPTIONAL P/N TO APPEAR ON THIS SURFACE. THE P/N CAN BE OMITTED IF THERE IS NOT ENOUGH SPACE ON THIS SURFACE.
- 5. PRODUCT SPECIFICATION GS-12-149.
APPLICATION SPECIFICATION BUS-20-067.
- 6. PACKAGED IN TRAYS.
- PCB NOTES:
- 7. ALL HOLE DIAMETERS ARE FINISHED HOLE SIZE.
- ⑧ MOUNTING HOLES, WHERE APPLICABLE, ARE UNPLATED.
- ⑨ $\varnothing 1.151 \pm 0.025$ DRILLED HOLES PLATED WITH
0.008 MIN SnPb OR Sn OVER 0.03
TO 0.08 Cu PLATING TO ACHIEVE
 $\varnothing 1.02 \pm 0.07$ HOLE.
- ⑩ "DIM XXX" TO BE DETERMINED BY THE CUSTOMER.
- ⑪ CONNECTOR KEEP-OUT ZONE.
- 12. THE VOID CORING IN BETWEEN POWER MODULES, SIGNAL MODULES AND END MODULES ARE OPTIONAL AND THE SHAPE MAY BE DIFFERENT FOR OPTIMIZE THE MOLDING PROCESS. THE VOID CORING WILL NOT EFFECT TO PRODUCT FUNCTION.

spec ref		SEE NOTES		dr	Anson Liu	2011/05/16	projection 	MM 	size	A4	scale	1:1	
tolerance std		TOLERANCES UNLESS OTHERWISE SPECIFIED		eng	Anson Liu	2011/07/04			ecn no	-			
SEE NOTES				chr	-	-							
surface <input checked="" type="checkbox"/>		linear	0.X ±0.50 0.XX ±0.25 0.XXX ±0.10	appr	Pei-Ming Zheng	2011/07/05	product family		PwrBlade	rel level	Released		
		angular	0° ±2°			title	12S + 8P VERTICAL STB RECEPT		dwg no	51940-389		rev	A
				www.fci.com		cat. no.	Product - Customer Drw			sheet 4 of 4			