

Interface module - UM-D37M/DS/FU/LED/DG/C300/R SH - 2905273

Please be informed that the data shown in this PDF Document is generated from our Online Catalog. Please find the complete data in the user's documentation. Our General Terms of Use for Downloads are valid (<http://phoenixcontact.com/download>)




16-channel module for Honeywell C300 digital cards with disconnect, test points, socketed 1A fuses and fuse status indicator.

Why buy this product

- ✓ These VARIOFACE modules are used in combination with the relevant front adapters
- ✓ Per channel pluggable 1 A fusing
- ✓ Digital module includes shield connection
- ✓ Per channel disconnects with test points
- ✓ LED blown fuse indication
- ✓ Din rail mounting, includes grounding foot
- ✓ Per channel shield connection
- ✓ UM-PRO housing



Key Commercial Data

Packing unit	1 STK
GTIN	 4 046356 947107
GTIN	4046356947107

Technical data

Dimensions

Width	104 mm
Height	142.3 mm
Depth	79 mm

Ambient conditions

Ambient temperature (operation)	-40 °C ... 60 °C
Ambient temperature (storage/transport)	-40 °C ... 75 °C

General

Max. perm. operating voltage	24 V DC
------------------------------	---------

Interface module - UM-D37M/DS/FU/LED/DG/C300/R SH - 2905273

Technical data

General

Max. perm. current (per branch)	1 A
Max. permissible current (separate power supply)	4 A (via D-SUB)
Number of positions	37
Status display	No
Mounting position	any
Assembly instructions	In rows with zero spacing

Connection data for connection 1

Connection name	Field level
Connection method	Screw connection with disconnect knife
Stripping length	8 mm
Screw thread	M 3
Conductor cross section solid	0.2 mm ² ... 4 mm ²
Conductor cross section flexible	0.2 mm ² ... 2.5 mm ²
Conductor cross section AWG	24 ... 12

Connection data for connection 2

Connection name	Controller level
Connection method	D-SUB pin strip
Number of connections	1
Number of positions	37

Supported controller

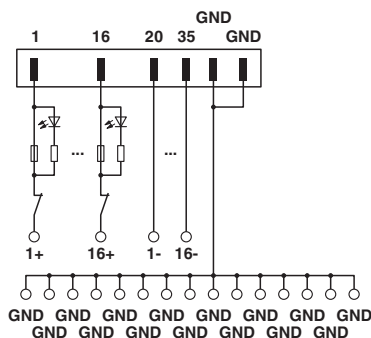
Controller	HONEYWELL Experion PKS C300/C-Series
- suitable I/O card	TDIL01
	TDIL11

Standards and Regulations

Standards/regulations	DIN EN 50178
-----------------------	--------------

Drawings

Circuit diagram



Interface module - UM-D37M/DS/FU/LED/DG/C300/R SH - 2905273

Approvals




Approvals

Approvals

UL Recognized / cUL Recognized / cULus Recognized

Ex Approvals

Approval details

UL Recognized		http://database.ul.com/cgi-bin/XYV/template/LISEXT/1FRAME/index.htm	FILE E 238705
cUL Recognized		http://database.ul.com/cgi-bin/XYV/template/LISEXT/1FRAME/index.htm	FILE E 238705
cULus Recognized		http://database.ul.com/cgi-bin/XYV/template/LISEXT/1FRAME/index.htm	

Phoenix Contact 2017 © - all rights reserved
<http://www.phoenixcontact.com>

PHOENIX CONTACT GmbH & Co. KG
Flachsmarktstr. 8
32825 Blomberg
Germany
Tel. +49 5235 300
Fax +49 5235 3 41200
<http://www.phoenixcontact.com>