

PART NAME

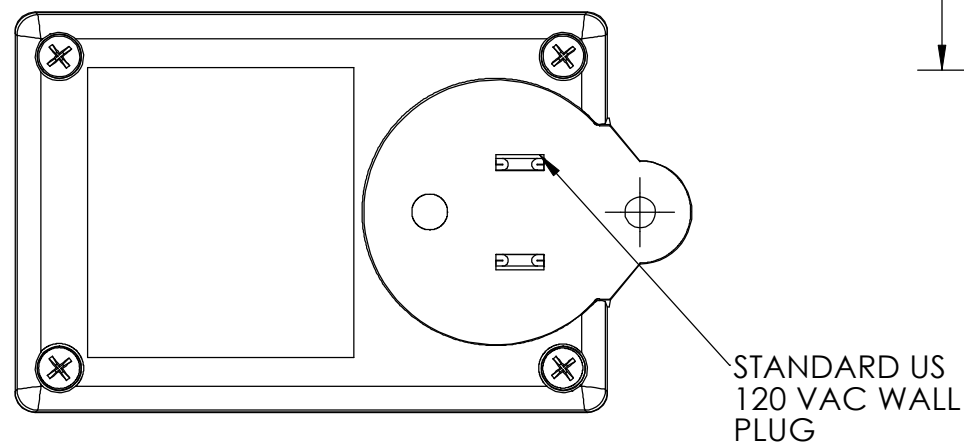
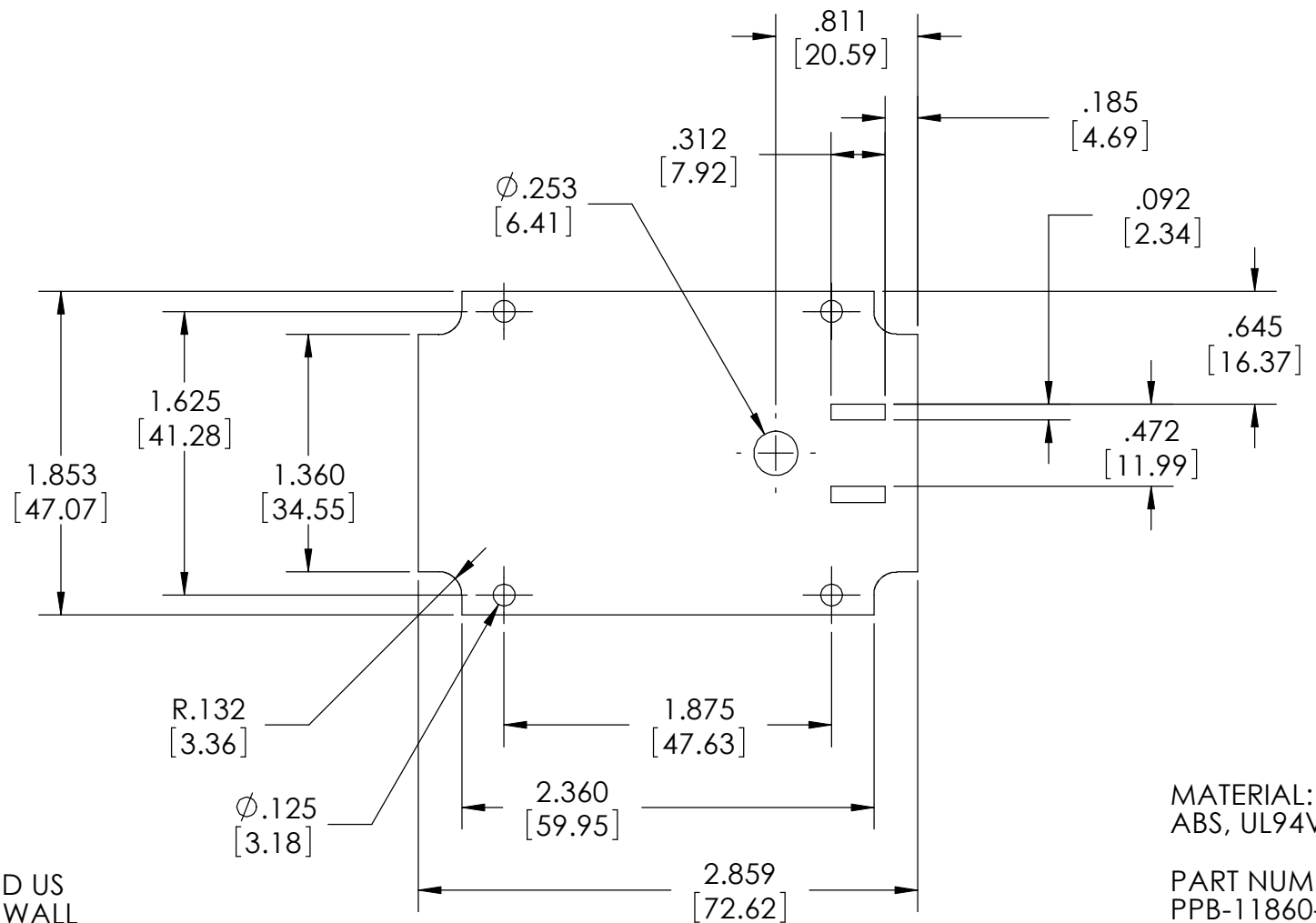
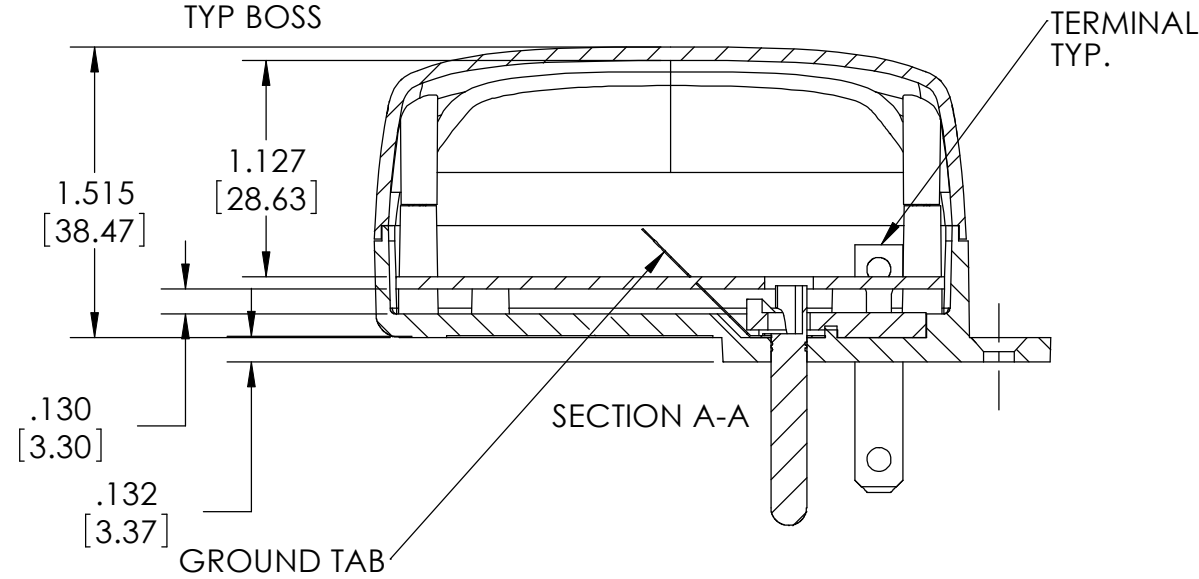
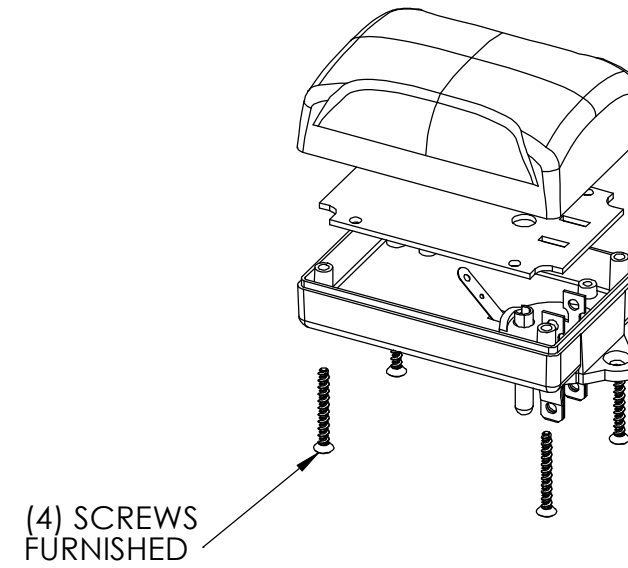
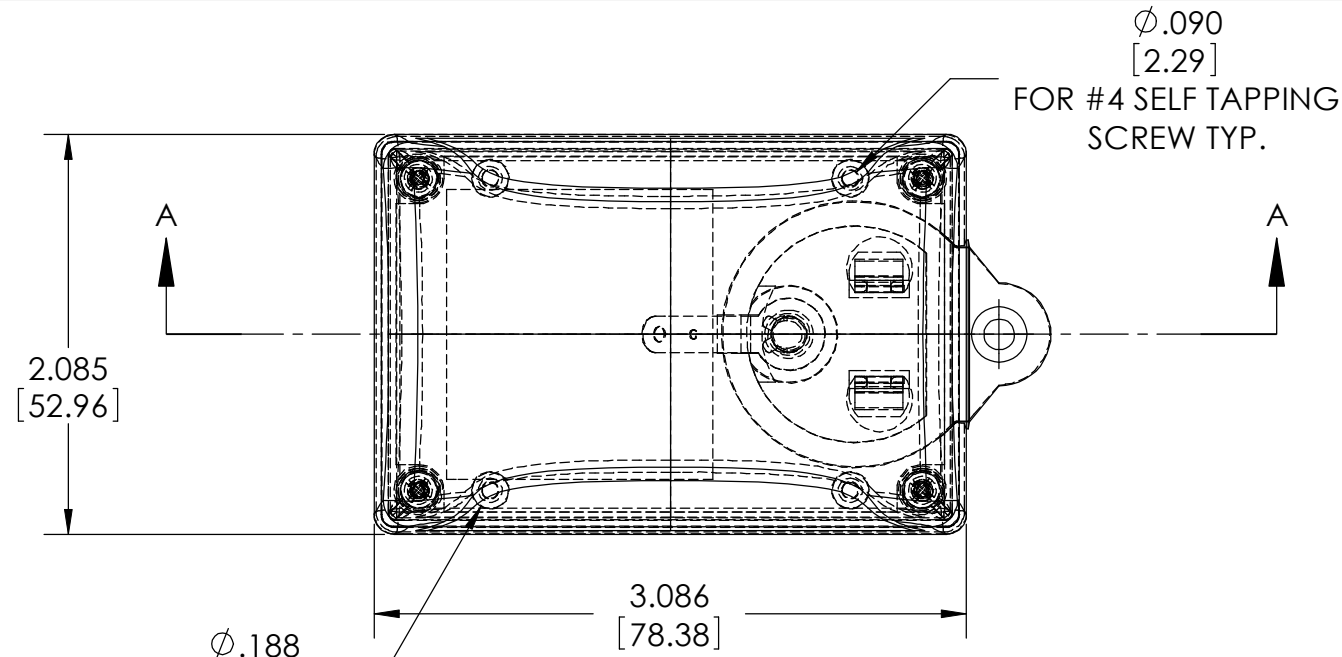
POWER PLUG BOX

PART No.

PPB - 11860 (SEE NOTES)

REVISION DATE

4-3-09



RECOMMENDED PC BOARD NOT FURNISHED

MATERIAL:
ABS, UL94VO

PART NUMBER:
PPB-11860-BK BLACK
PPB-11860-WT WHITE

MAR RESISTANT TEXTURED SURFACE