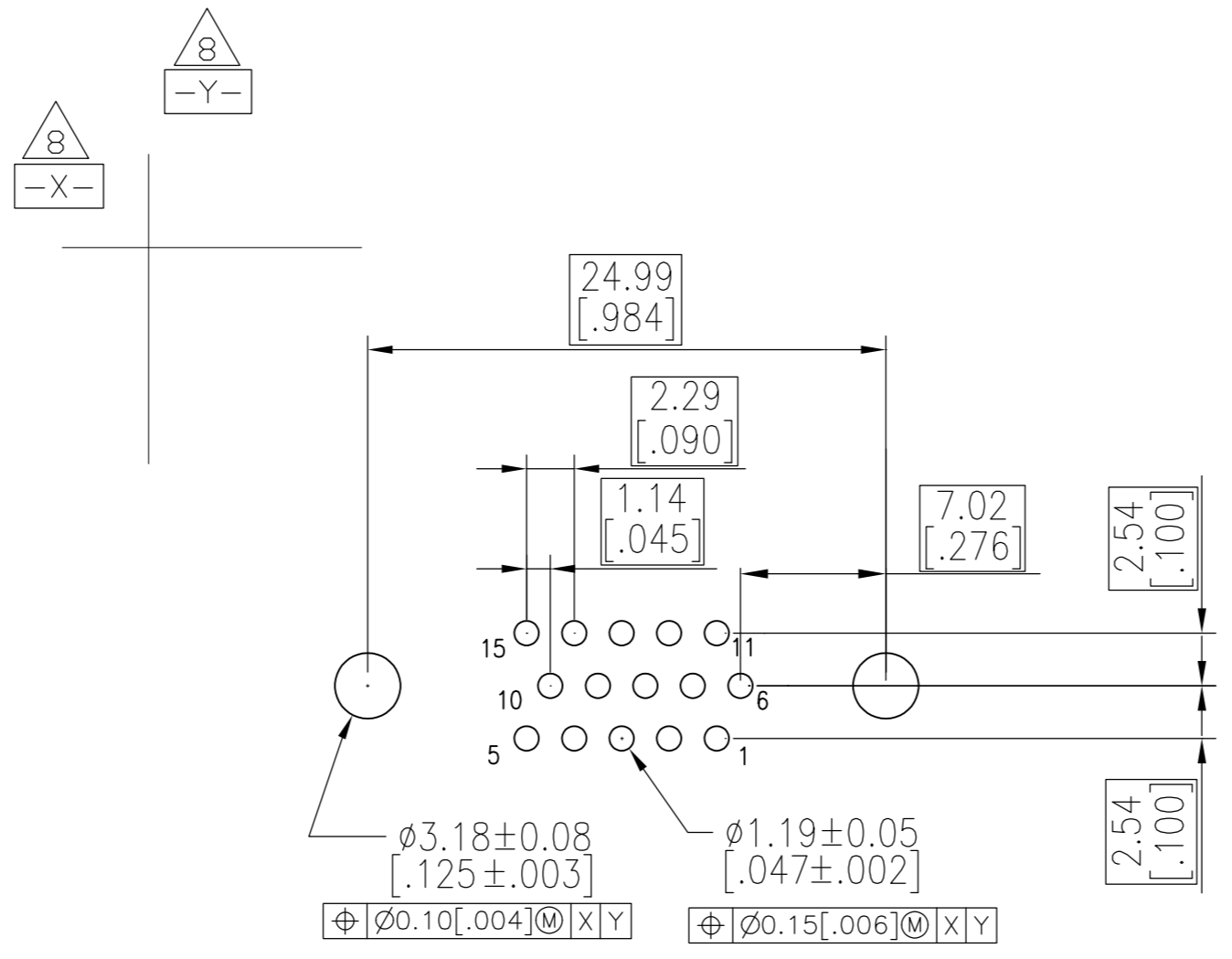
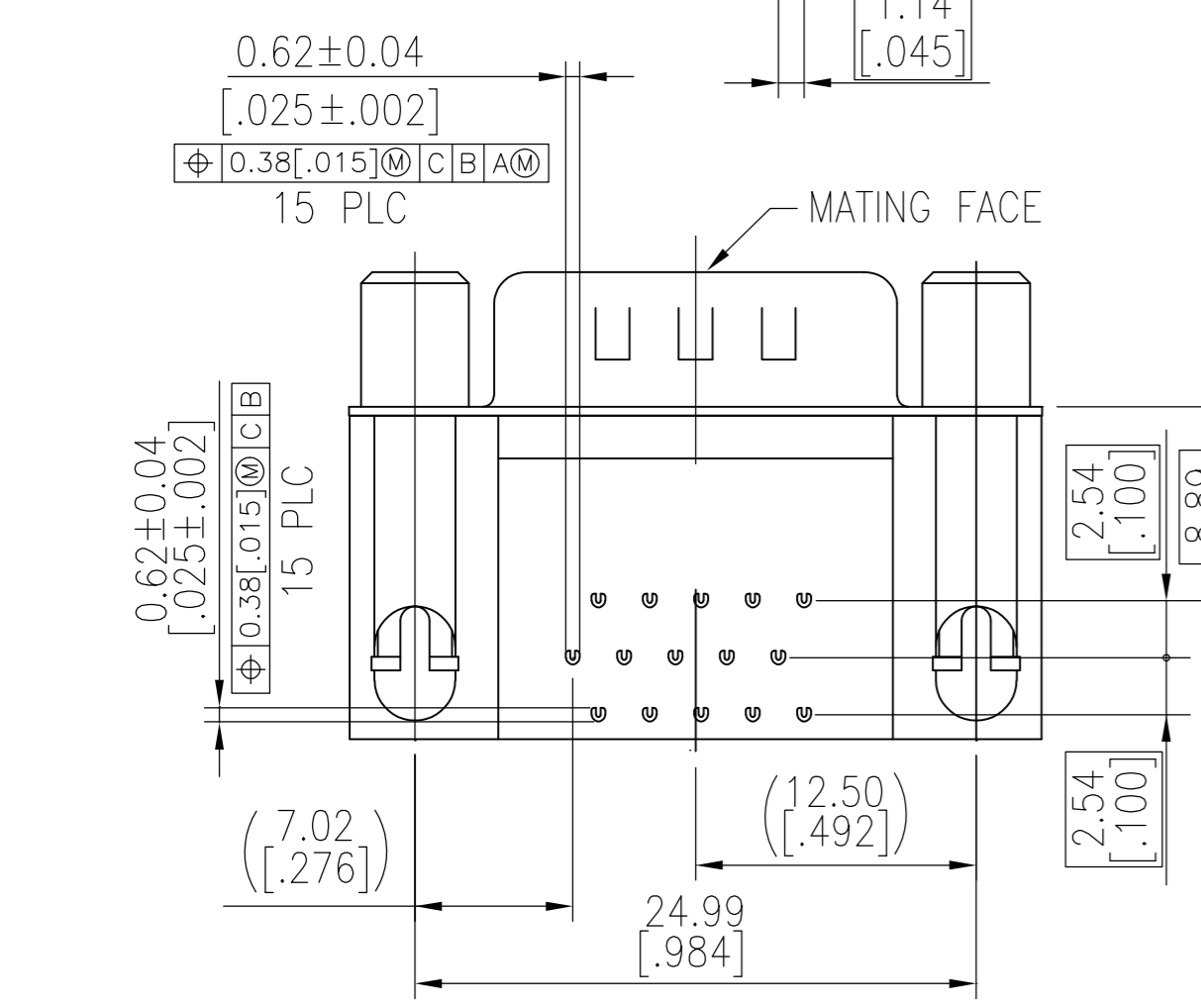
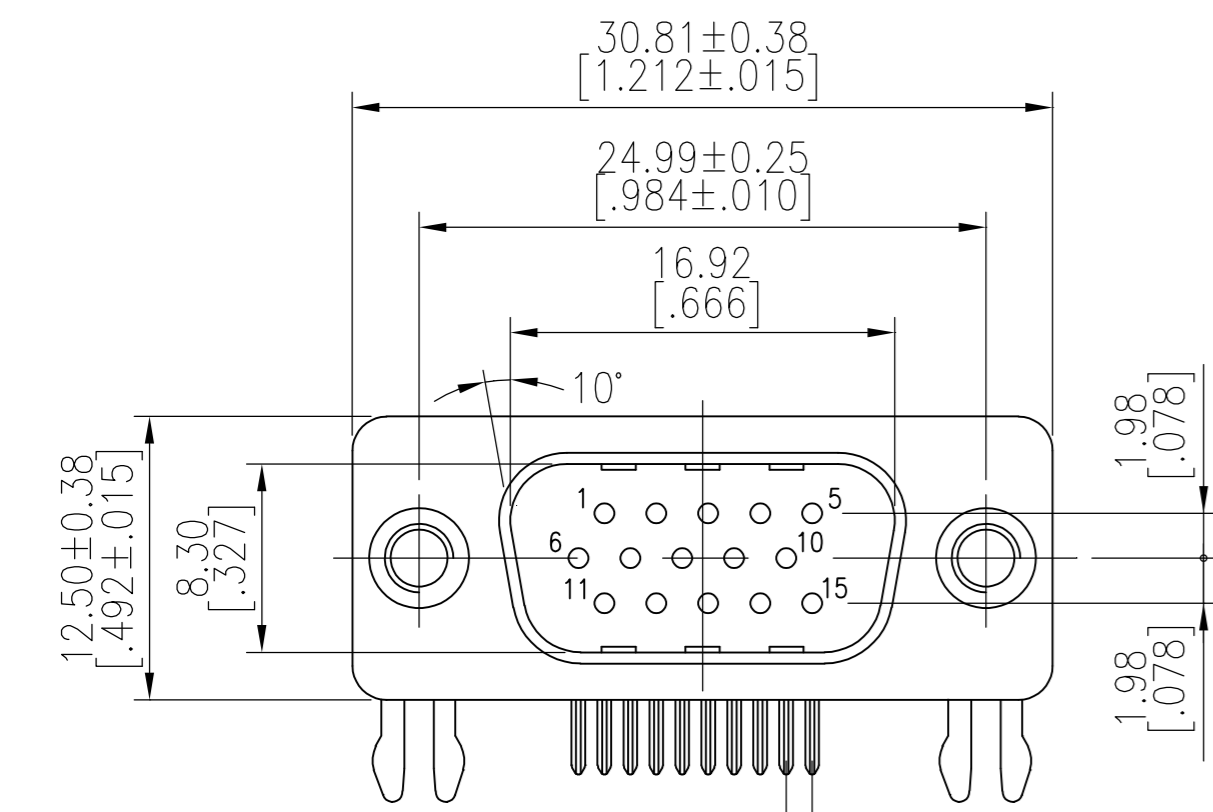
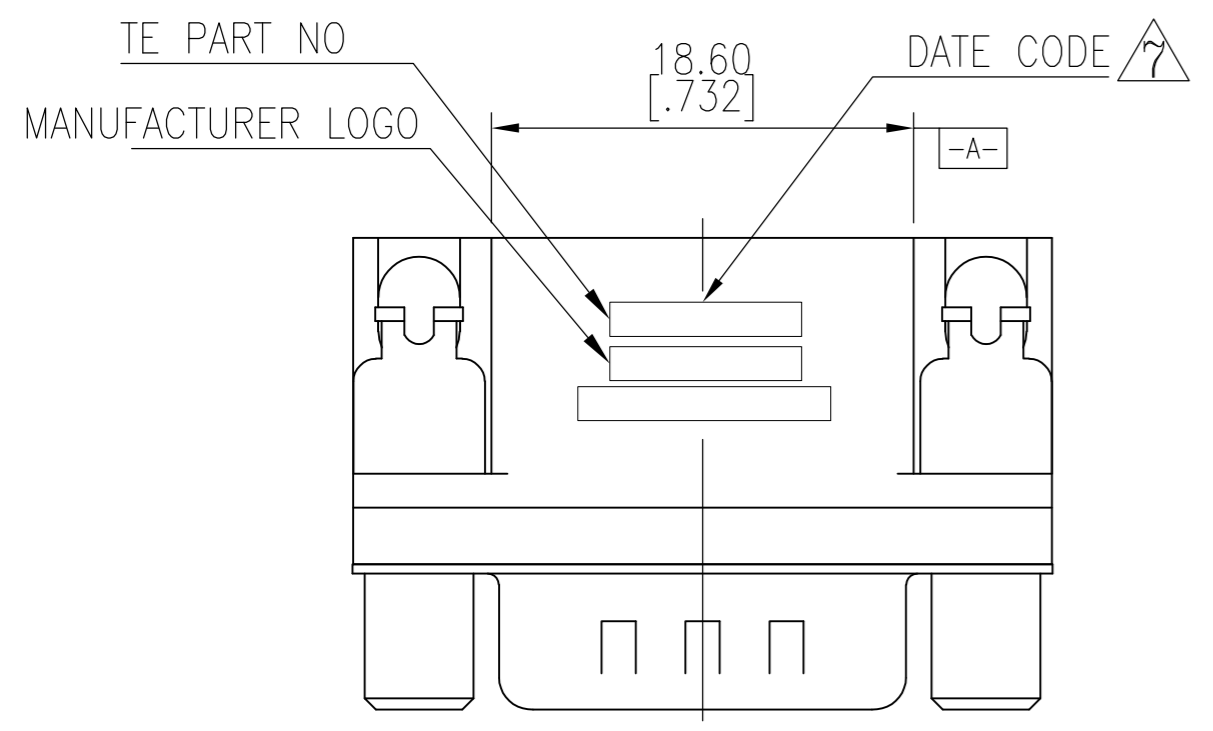
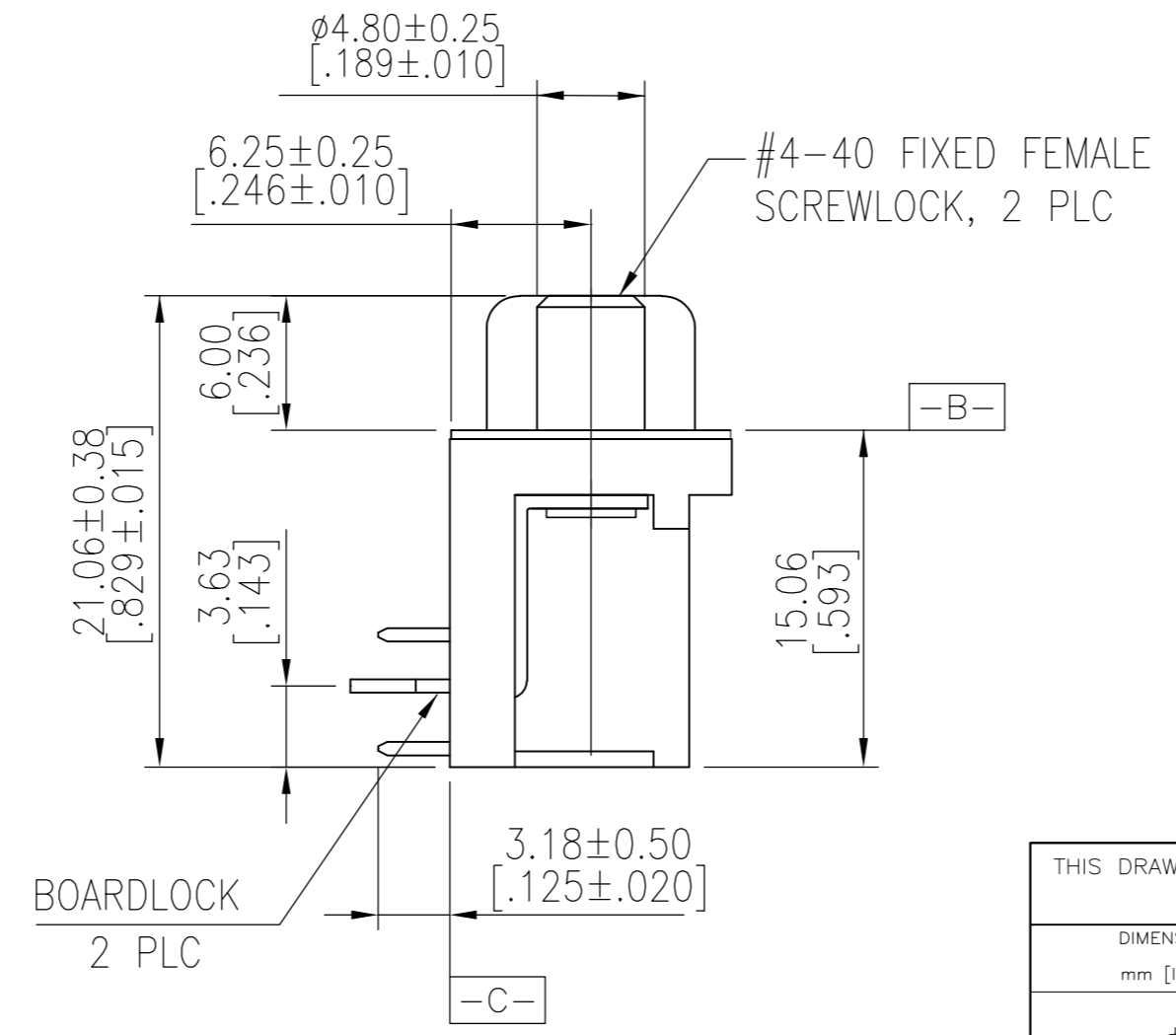


THIS DRAWING IS UNPUBLISHED. RELEASED FOR PUBLICATION
 © COPYRIGHT - By - ALL RIGHTS RESERVED.

REVISIONS				
P	LTR	DESCRIPTION	DATE	APVD
D		REVISED PER ECO-16-008787	24JUN2016	AP DG



RECOMMENDED PCB LAYOUT



- HOUSING MATERIAL: PBT, GLASS FILLED, BLACK, UL 94V-0 RATED.
- CONTACT MATERIAL: BRASS.
- CONTACT FINISH: GOLD PLATE IN MATING AREA (SEE TABLE), 120μ" MIN TIN PLATE ON SOLDER TAIL, BOTH OVER 50μ" MIN NICKEL UNDERPLATE.
- SHELL: STEEL, NICKEL PLATE.
- BOARDLOCK: BRASS, 100μ" MIN TIN PLATE.
- FEMALE SCREWLOCK: BRASS, NICKEL PLATE.

△ FOUR DIGIT DATE CODE IN THIS FORMAT.
 Year 01 45 Manufacturing Week

△ DATUMS -X- & -Y- TO BE ESTABLISHED BY CUSTOMER.

OBSELETE	Gold Flash	5749768-3
OBSELETE	15μ" MIN	5749768-2
	30μ" MIN	5749768-1
	CONTACT MATING AREA FINISH	PART NUMBER

THIS DRAWING IS A CONTROLLED DOCUMENT.		DWN J.GERACE 22FEB06	TE Connectivity	
DIMENSIONS: mm [INCHES]		CHK S.BOLASH 22FEB06	NAME	
TOLERANCES UNLESS OTHERWISE SPECIFIED:		APVD M.WALMSLEY 22FEB06	AMPLIMITE HD-22	
0 PLC ± -		PRODUCT SPEC	15 POS PLUG, RIGHT ANGLE	
1 PLC ± 0.38 [0.015]		APPLICATION SPEC	SIZE CAGE CODE DRAWING NO RESTRICTED TO	
2 PLC ± 0.25 [0.010]		108-1092	A2 00779 C=5749768	
3 PLC ± 0.15 [0.006]		114-13198	SCALE 3:1 SHEET 1 of 1 REV D	
4 PLC ± -		WEIGHT 0.000000		
ANGLES ± 2°		CUSTOMER DRAWING		
FINISH				
SEE NOTES				