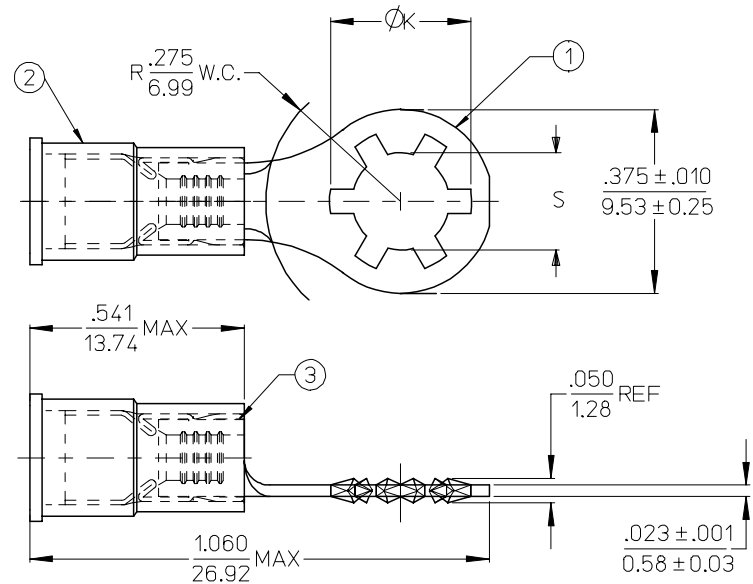


MATERIAL NUMBER	ENGINEERING NUMBER	S ±.007/.178	K REF	MATERIAL
190760001	SRA-529-06	.146/3.71	.236/5.99	BRASS
190760003	SRA-529-08	.173/4.40	.263/6.68	BRASS
190760005	SRA-529-10	.198/5.03	.288/7.32	BRASS
190760013	SRB-529-06	.146/3.71	.236/5.99	BRASS
190760015	SRB-529-08	.173/4.40	.263/6.68	BRASS
190760017	SRB-529-10	.198/5.03	.288/7.32	BRASS
190760007	SRA-S-529-06	.146/3.71	.236/5.99	STEEL
190760009	SRA-S-529-08	.173/4.40	.263/6.68	STEEL
190760011	SRA-S-529-10	.198/5.03	.288/7.32	STEEL
190760019	SRB-S-529-06	.146/3.71	.236/5.99	STEEL
190760021	SRB-S-529-08	.173/4.40	.263/6.68	STEEL
190760023	SRB-S-529-10	.198/5.03	.288/7.32	STEEL



# SALES DRAWING

ITEM	QTY	DESCRIPTION	MATERIAL	FINISH
3	1	FERRULE PLATED	BRASS	TIN PLATING
2	1	RED 600V AVIK MLD INS	NYLON	RED
1	1	STAR RING KRIMPTITE	SEE CHART	TIN PLATING

- NOTES:
1. MATERIAL: SEE CHART
  2. FINISH: SEE CHART
  3. ALL COMPONENTS OF THIS ASSEMBLY ARE RoHS COMPLIANT

REVISED / REDRAWN EC NO: ETC2006-0323 DRWN:ASAYDEH 2006/03/15 CHKD:RDEROSS 2006/03/22 APPR:RDEROSS 2006/03/27	DESCRIPTION REV	QUALITY SYMBOLS ▽=0 ▽=0	GENERAL TOLERANCES (UNLESS SPECIFIED) <table border="1"> <thead> <tr> <th></th> <th>mm</th> <th>INCH</th> </tr> </thead> <tbody> <tr> <td>4 PLACES</td> <td>± .13</td> <td>± .005</td> </tr> <tr> <td>3 PLACES</td> <td>± .13</td> <td>± .01</td> </tr> <tr> <td>2 PLACES</td> <td>± 0.25</td> <td>± .01</td> </tr> <tr> <td>1 PLACE</td> <td>± 0.25</td> <td>± .01</td> </tr> </tbody> </table>		mm	INCH	4 PLACES	± .13	± .005	3 PLACES	± .13	± .01	2 PLACES	± 0.25	± .01	1 PLACE	± 0.25	± .01	DIMENSION STYLE IN/MM DRAWN BY ASAYDEH DATE 06/03/15 CHECKED BY RDEROSS DATE 06/03/15 APPROVED BY RDEROSS DATE 06/03/15	SCALE 4:1 DESIGN UNITS INCH	THIRD ANGLE PROJECTION
			mm	INCH																	
		4 PLACES	± .13	± .005																	
		3 PLACES	± .13	± .01																	
2 PLACES	± 0.25	± .01																			
1 PLACE	± 0.25	± .01																			
DRAFT WHERE APPLICABLE MUST REMAIN WITHIN DIMENSIONS			MATERIAL NO. SEE CHART	DOCUMENT NO. SD-19076-001	SHEET NO. 1 OF 1																
			SIZE B	THIS DRAWING CONTAINS INFORMATION THAT IS PROPRIETARY TO MOLEX INCORPORATED AND SHOULD NOT BE USED WITHOUT WRITTEN PERMISSION																	
			MOLEX INCORPORATED STAR RING TERMINAL AVIKRIMP																		