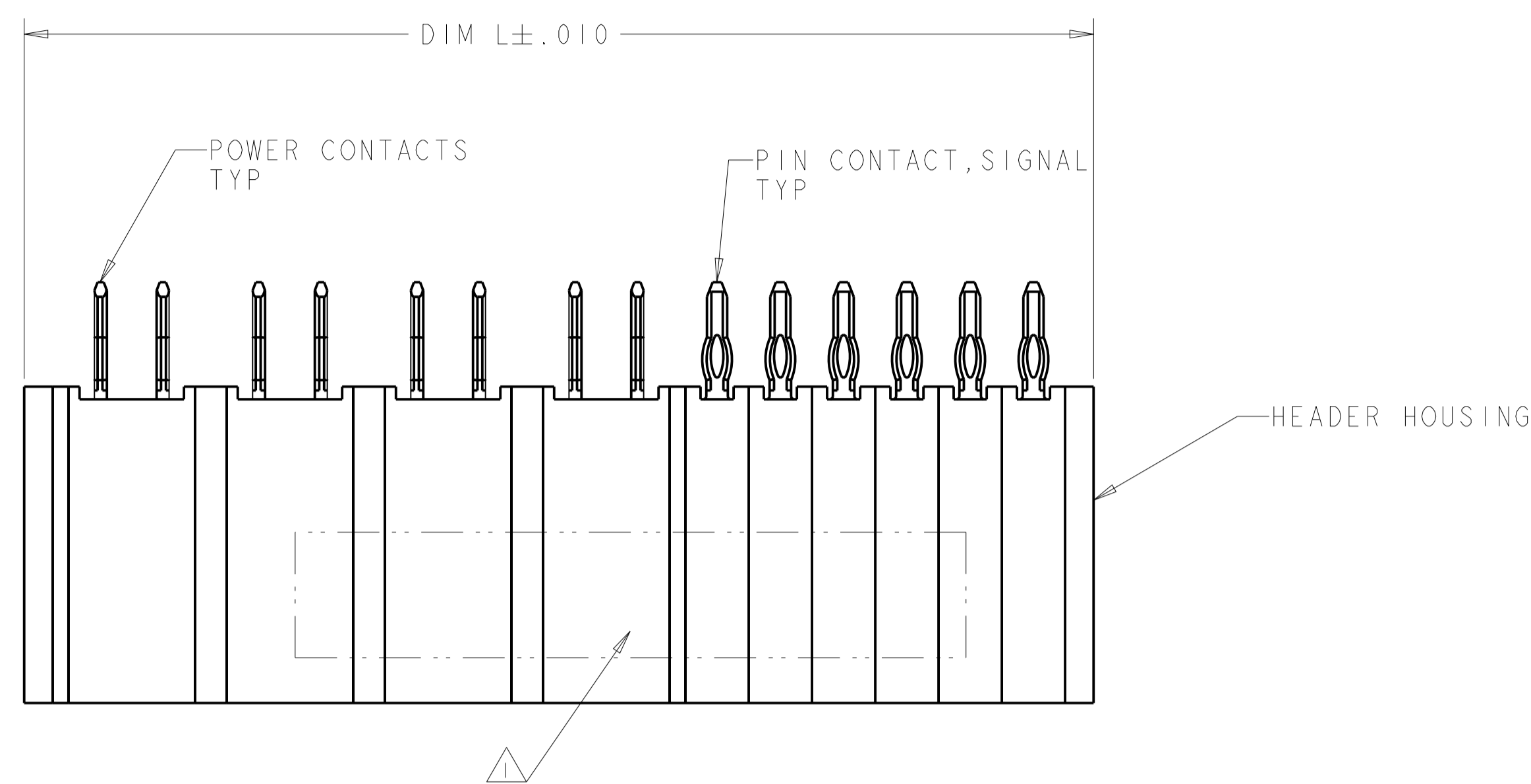
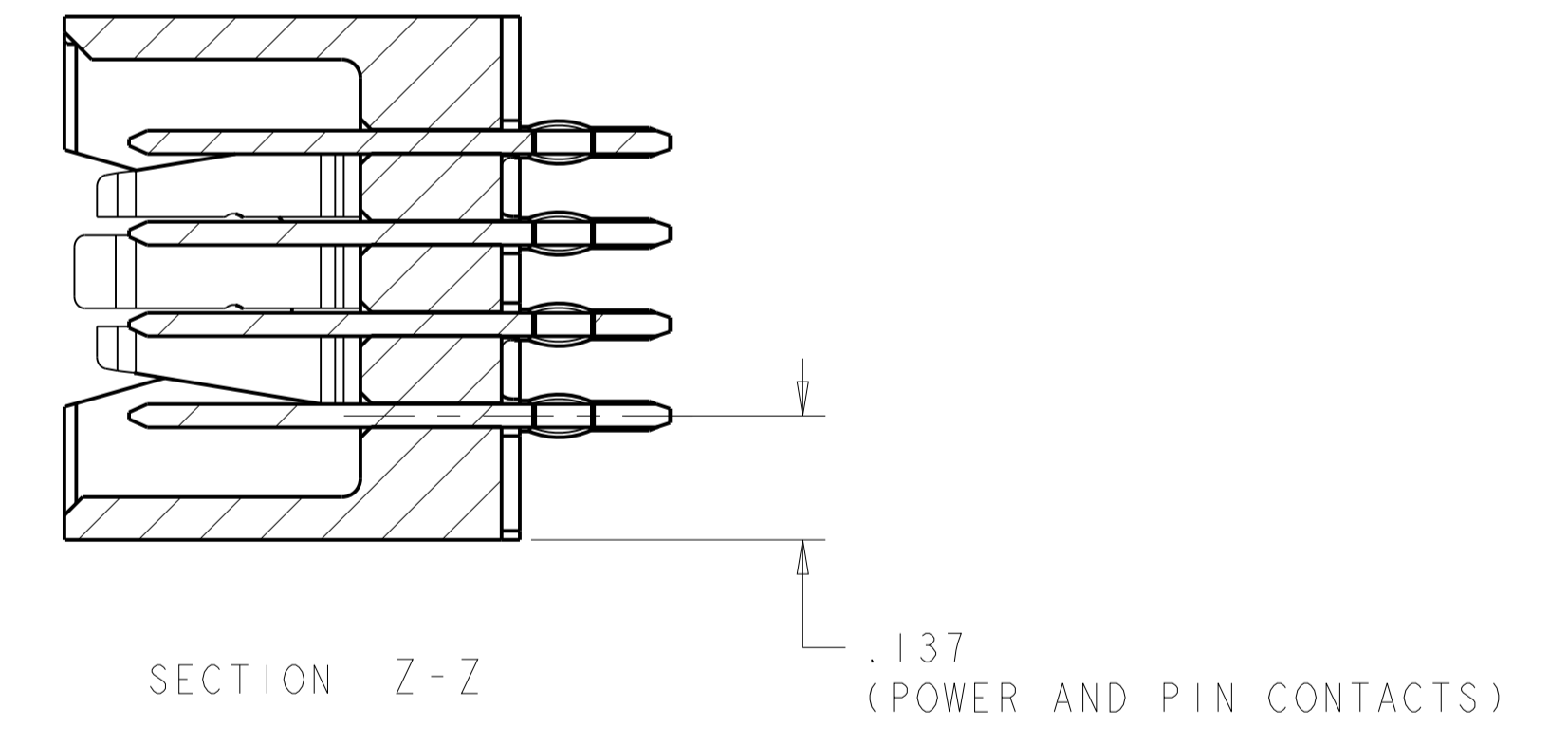
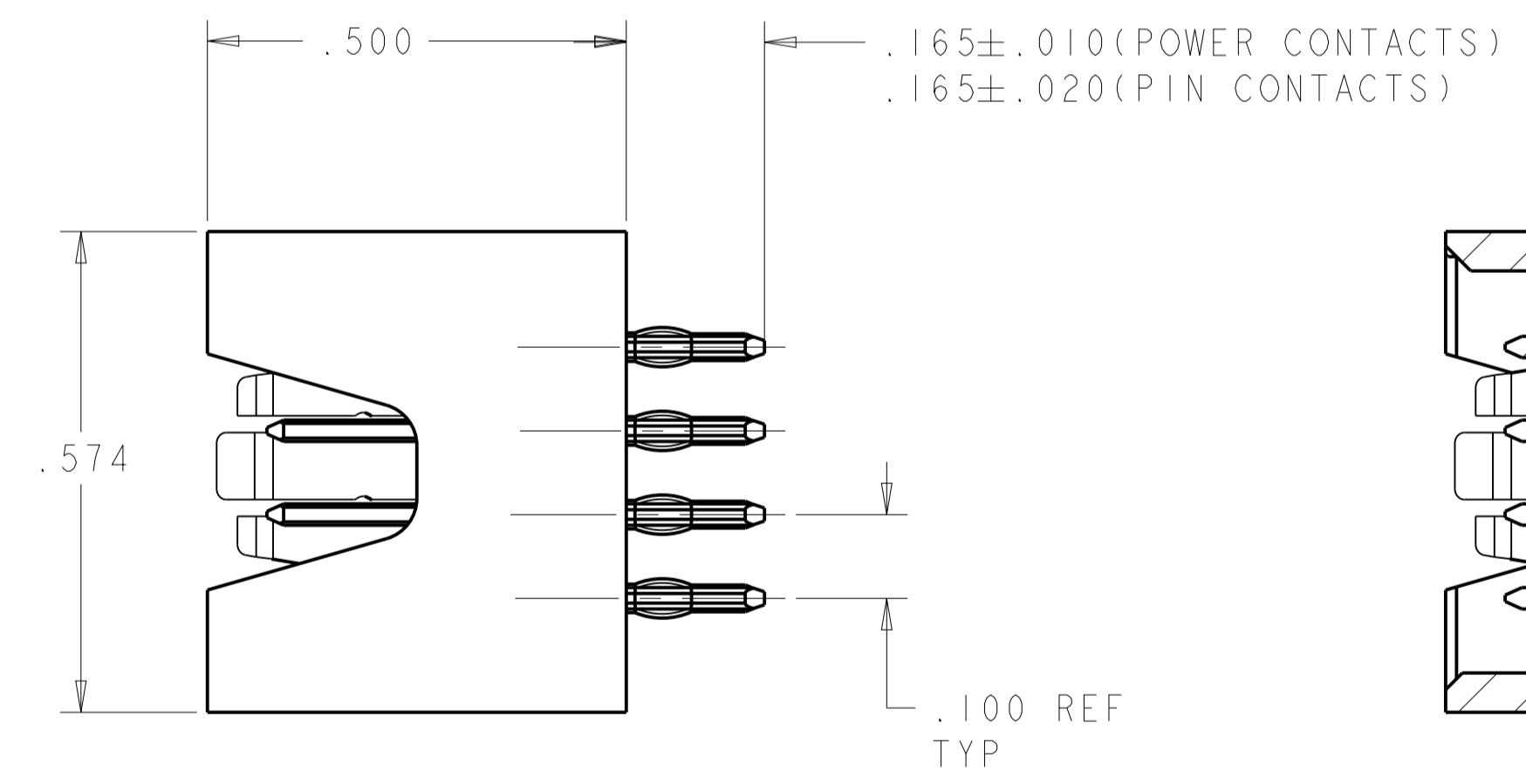
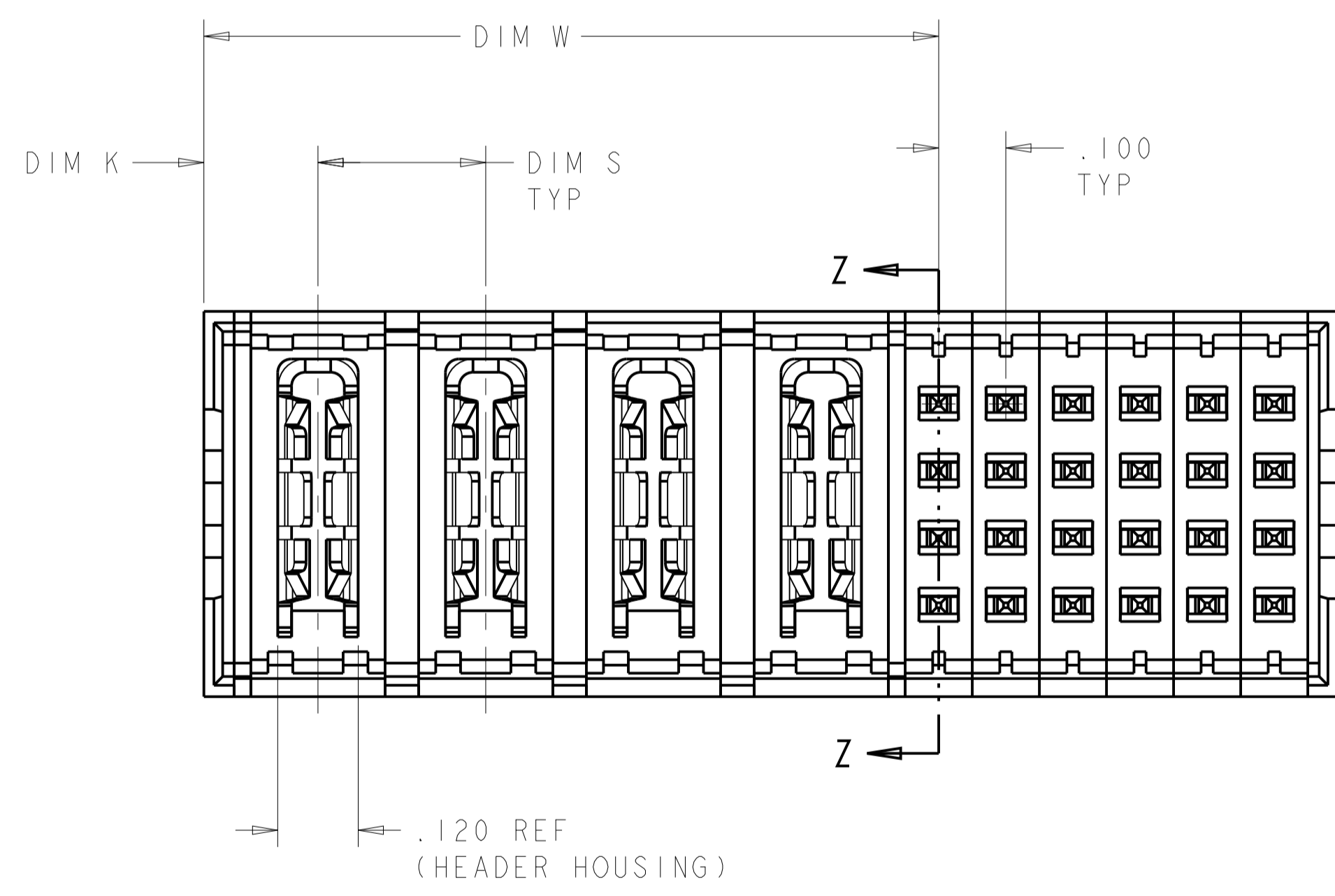


LOC	DIST	REVISIONS					
		P	LTN	DESCRIPTION	DATE	DWN	APVD
ES	00	A		REV PER ECR-07-000484	10JAN2007	CZ	SY
		A1		REV PER ECR-14-002489	25FEB2014	OL	SZ



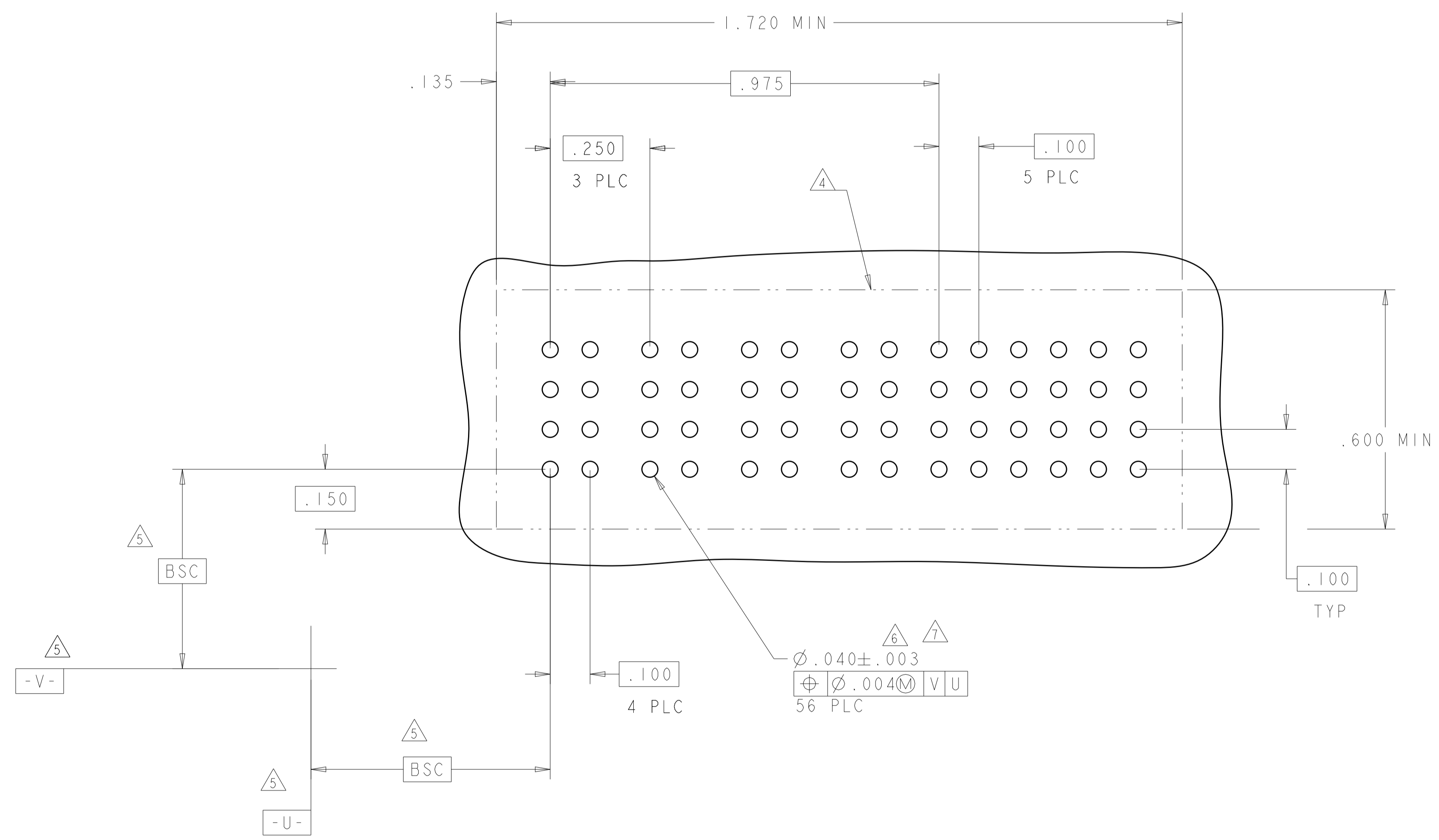
- 1 "AMP", PART NUMBER AND DATE CODE TO BE MARKED IN AREA SHOWN
PARTS UNDER 2.00 LONG MAY BE MARKED ON BOTH SIDES
- 2 MATERIAL: HOUSING - GLASS FILLED HIGH TEMP THERMO PLASTIC, UL94 V-0
SIGNAL CONTACT - COPPER ALLOY
POWER CONTACT - HIGH CONDUCTIVITY COPPER ALLOY
- 3 CONTACT PLATING: NOBLE METAL PLATING ON CONTACT FUNCTIONAL AREA OF
POWER AND SIGNAL CONTACTS
- 4 MECHANICAL CONNECTOR KEEP OUT ZONE.
- 5 DATUM AND BASIC DIMENSIONS ESTABLISHED BY CUSTOMER.
- 6 PCB - ALL HOLE DIAMETERS ARE FINISHED HOLE SIZES.
- 7 PCB - .0453 ± .0010 DRILLED HOLES PLATED WITH .0003 MIN Sn OVER
.001 TO .003 Cu PLATING TO ACHIEVE A .040 ± .003 DIA. HOLE.



.250	1.095	1.690	.170	4P + 24S	6600353-1	
DIM S	DIM W	DIM L	DIM K	DESCRIPTION	PART NUMBER	
<small>THIS DRAWING IS UNPUBLISHED. RELEASED FOR PUBLICATION BY TYCO ELECTRONICS CORPORATION. ALL RIGHTS RESERVED.</small>						
DIMENSIONS: INCHES 		TOLERANCES UNLESS OTHERWISE SPECIFIED: 0 PLC ±. 1 PLC ±.01 2 PLC ±.01 3 PLC ±.005 4 PLC ±.0020 ANGLES ±.020 FINISH ±.3		DWN C. ZHOU 10JAN2007 CHK C. ZHOU 10JAN2007 APVD S. YAO PRODUCT SPEC 108-1973 APPLICATION SPEC 114-13038 WEIGHT CUSTOMER DRAWING	Tyco Electronics incorporated Shanghai, P.R. China. 200233 NAME VERTICAL HEADER ASSEMBLY W/GUIDES PRESS FIT, DUAL BEAM POWER CONTACTS MULTI-BEAM XL SIZE CAGE CODE DRAWING NO A1 00779 C=6600353 SCALE 4:1 SHEET 1 OF 2 REV A1	

LOC	DIST	REVISIONS			
P	LTN	DESCRIPTION	DATE	DMN	APVD
ES	00	- SEE SHEET 1	-	-	-

PART NUMBER	ROWS	POWER				SIGNAL					
		P1	P2	P3	P4	1	2	3	4	5	6
6600353-1	D	VM	VM	VM	VM	EV	EV	EV	EV	EV	ES
	C					EV	EV	EV	EV	EV	EV
	B					EV	EV	EV	EV	EV	EV
	A					ES	EV	EV	EV	EV	EV
4P + 24S											



VM	POWER PRESS FIT CONTACT
ES	SIGNAL PRESS FIT CONTACT - MLBF
EV	SIGNAL PRESS FIT CONTACT - STD
CODE	TAIL LENGTH
CONTACT TABLE	

<small>THIS DRAWING IS UNPUBLISHED. RELEASED FOR PUBLICATION. IT IS THE PROPERTY OF TYCO ELECTRONICS CORPORATION. IT IS TO BE USED ONLY FOR THE PURPOSES AND IN THE QUANTITIES SPECIFIED IN THE ORDER. IT IS TO BE RETURNED TO TYCO ELECTRONICS CORPORATION UPON REQUEST.</small>		DMN: C. ZHOU 10JAN2007 CHK: C. ZHOU 10JAN2007 APVD: S. YAO	tyco Electronics Tyco Electronics incorporated Shanghai, P.R. China. 200233
DIMENSIONS: INCHES 	TOLERANCES UNLESS OTHERWISE SPECIFIED: 0 PLC ±. 2 PLC ±.01 3 PLC ±.005 4 PLC ±.0020 ANGLES ±.02°	NAME: VERTICAL HEADER ASSEMBLY W/GUIDES PRODUCT SPEC: 108-1973 APPLICATION SPEC: 114-13038 WEIGHT: -	SIZE: A CAGE CODE: 00779 DRAWING NO: 6600353 RESTRICTED TO: -
MATERIAL: -	FINISH: -	CUSTOMER DRAWING	
SCALE: 4:1		SHEET 2 OF 2 REV A1	