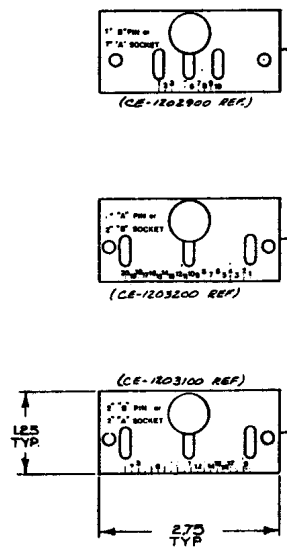
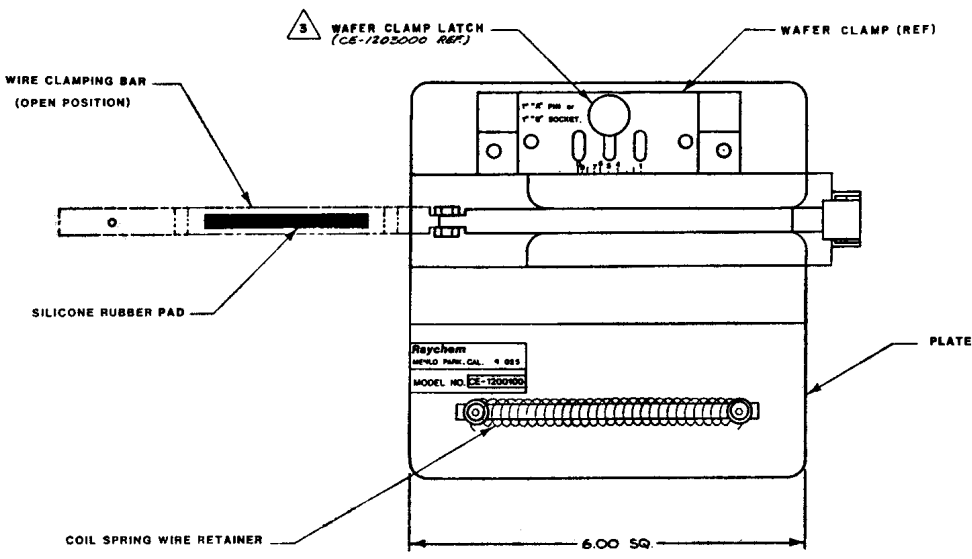
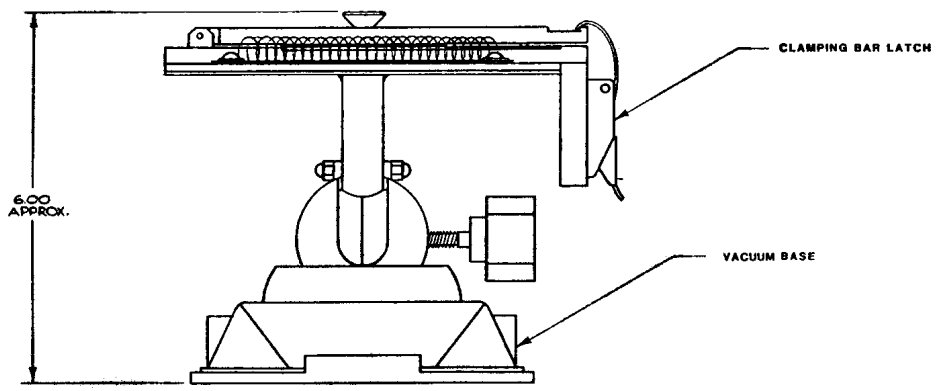


ZONE LTR		REVISIONS	DESCRIPTION	DATE	APPROVED
C					
D			CHANGED NOTE $\Delta$ PER ECR 00076	01/11/80	JME
E			CHANGED TERM FROM COVER TO CLAMP PER ECR 00087.	11/10	JME
F			ADDED DWG. NO. TO WAFER CLAMP ECR 00074	3-12-81	JME



WAFER CLAMP SET (4 PIECES) -  
TO INCLUDE CLAMP SHOWN ON FIXTURE



**NOTES:**

1. THIS FIXTURE FOR USE WITH MTC 100 ELECTRICAL CONNECTOR. WAFERS MANUFACTURED BY RAYCHEM CORPORATION
  2. REFER TO ES 81102 FOR FURTHER OPERATING INSTRUCTIONS
- $\Delta$  SPARE PART ITEM - GROMMET P/N 965131 AND PLUNGER P/N 965130.

**CONNECTOR SPECIFICATION CONTROL DRAWING**

ITEM	QTY.	PART NUMBER	DWG. OR SPEC.	PARTS LIST		DESCRIPTION			
THIS DRAWING AND THE INFORMATION SET FORTH HEREON ARE THE PROPERTY OF RAYCHEM CORPORATION, AND ARE TO BE HELD IN TRUST AND CONFIDENCE. PUBLICATION, DUPLICATION, DISCLOSURE, OR USE FOR ANY PURPOSE NOT EXPRESSLY AUTHORIZED IN WRITING BY RAYCHEM CORPORATION IS PROHIBITED.				DRAWN	RJG	12/27/79			
				CHECKED	ES	1/10/80			
UNLESS OTHERWISE SPECIFIED DIMENSIONS ARE IN INCHES AND TOLERANCES ARE: XXX ± .03				APPROVED	[Signature]	1/10/80			
				APPROVED					
MATERIAL				APPROVED					
				APPROVED					
FINISH				PART NUMBER	965003	SIZE	CODE IDENT.	DWG. NO.	
				DO NOT SCALE THIS DRAWING	NEXT ASSY	USED ON	D	NO. 0800	CE-1200100
APPLICATION				PROJECT		SCALE	FULL	WEIGHT	SHEET 1 OF 1

If this document is printed it becomes uncontrolled. Check with the web for latest revision.