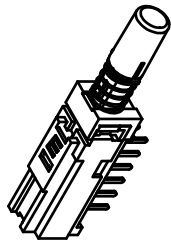
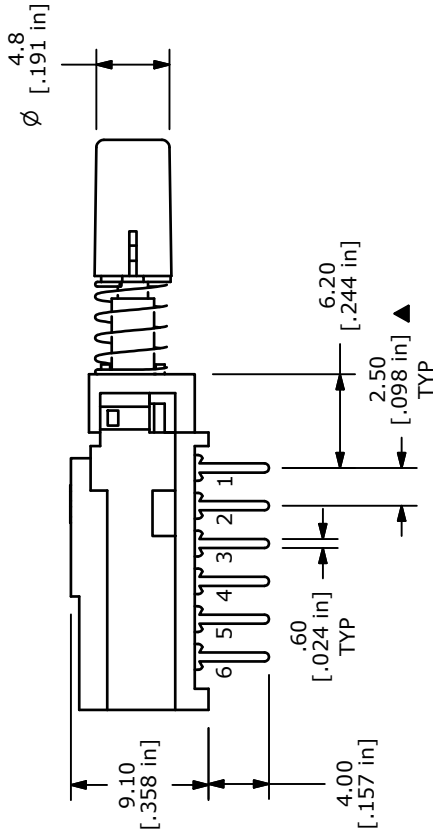
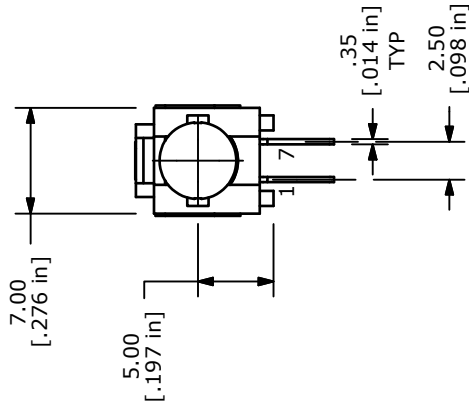
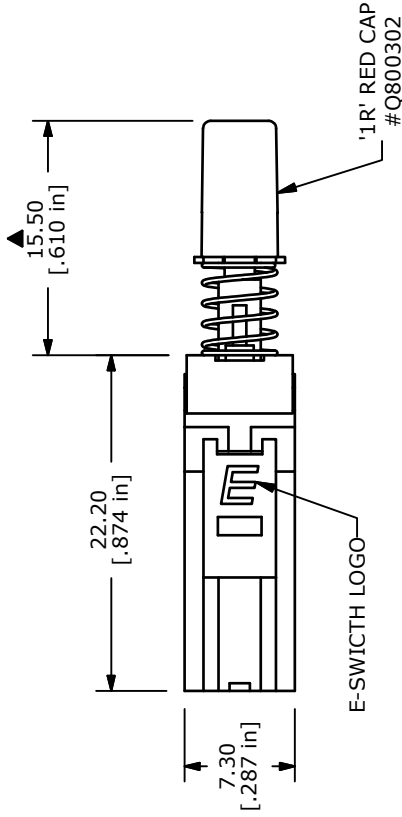


CIRCUIT DIAGRAM

- NOTES:
1. ALL DIMENSIONS IN MM [INCH]
 2. GENERAL TOLERANCE: X.X±0.4
X.XX±0.25
 3. TERM. NOS. FOR REFERENCE ONLY.
 4. RATING 0.1A @30V DC
 - ▲ 5. MATERIALS:
CONTACT/TERMINALS: SILVER PLATE
HOUSING: PBT UL94HB
BASE: PA66 UL94HB
ACTUATOR: POM
 6. CONTACT RESISTANCE: 100 MILLI-OHM (INITIAL)
 - ▲ 7. TIMING: NON-SHORTING
 8. OPERATING FORCE: 280±50GF
 9. TRAVEL: MOMENTARY
2MM TO MAKE
3MM OVERALL
 10. ELECTRICAL LIFE: 10000 CYCLES
 11. OPERATING TEMP: -20°C TO +70°C
 12. ▲ DENOTES CRITICAL PARAMETER.
 13. 2002/95/EC (ROHS) COMPLIANT



ISOMETRIC



TITLE PBH4UOANAG1RRED	
SCALE 2:1	DATE 2/19/2008
DR BLR	DWG Q960022
REV B	REV B

B	19671	UPDATE CIRCUIT DIAGRAM	2/10/11	BGL
A	17962	RELEASED FOR PRODUCTION	2/19/08	BLR
REV	PCR NO	DESCRIPTION	DATE	BY

THE INFORMATION CONTAINED IN THIS DOCUMENT IS PROPRIETARY TO E-SWITCH AND IS NOT TO BE COPIED OR TRANSFERRED