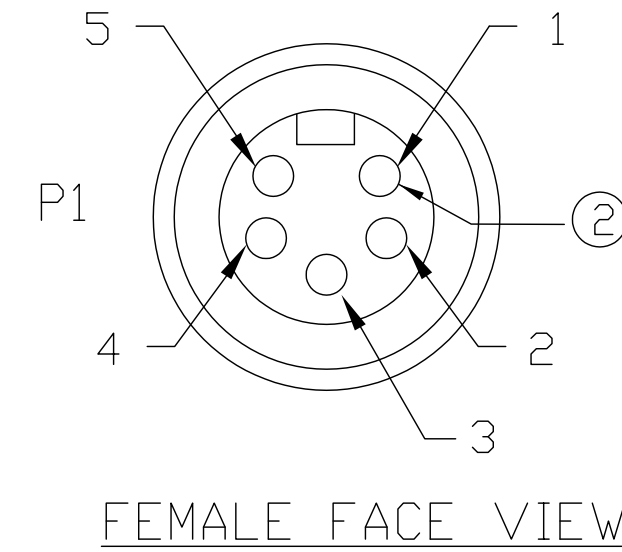
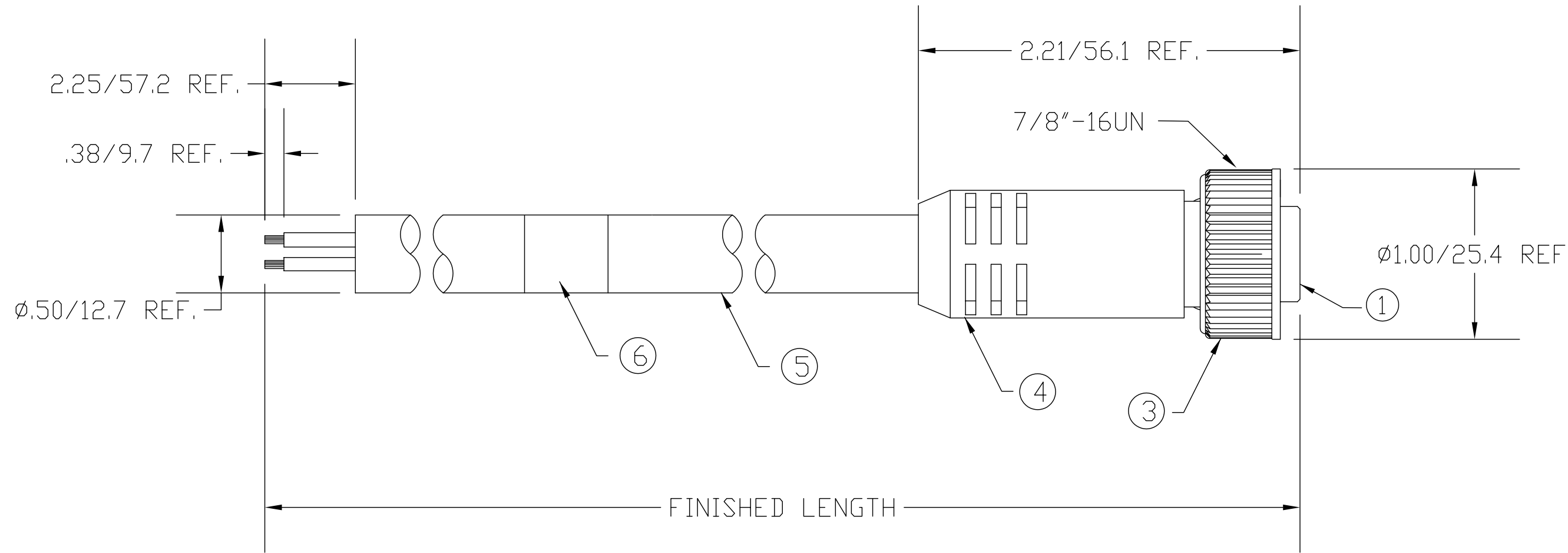
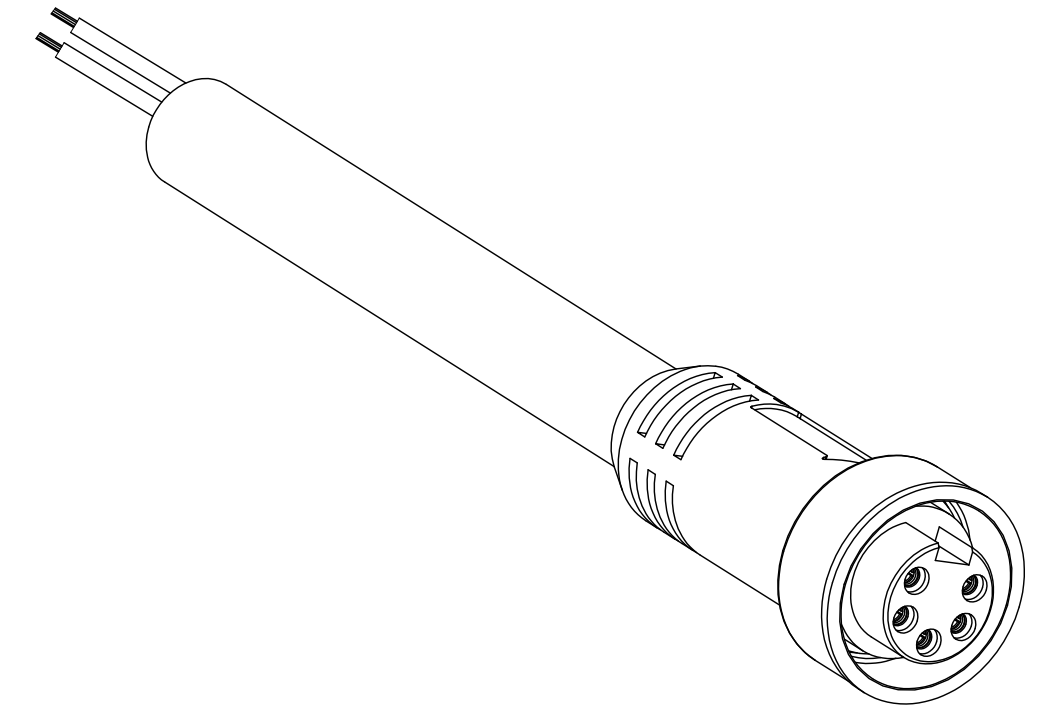


MATERIAL NUMBER	OLD PART NUMBER	FINISHED LENGTH
130006-1237	105000A02F030	3.00' +1.75" -0 [.9M +44.5 -0]
130006-1240	105000A02F060	6.00' +2.19" -0 [1.8M +55.6 -0]
130006-0043	105000A02F090	9.00' +3.50" -0 [2.7M +88.9 -0]
130006-1244	105000A02F120	12.00' +3.50" -0 [3.7M +88.9 -0]
130006-1247	105000A02F150	15.00' +6.50" -0 [4.6M +165.1 -0]
130006-1248	105000A02F200	20.00' +6.50" -0 [6.1M +165.1 -0]
130006-1250	105000A02F250	25.00' +12.50" -0 [7.6M +317.5 -0]



P1

1	RED WITH #1
2	RED WITH #2
3	GREEN-GND
4	RED WITH #4
5	RED WITH #5

WIRING DIAGRAM

VOLTAGE RATING	600 VAC/VDC
AMPERAGE RATING	8 AMPS
PROTECTION	IP67
OPERATING TEMPERATURE	-20°C TO 105°C
UL CERTIFICATIONS	UL RECOGNIZED, FILE NO. E46237
CSA CERTIFICATIONS	CSA CERTIFIED, FILE NO. LR6837

ITEM	COMPONENT	MATERIAL	FINISH
1	INSERT	PVC	YELLOW
2	CONTACT SOCKET	COPPER ALLOY	GOLD OVER NICKEL
3	COUPLING NUT	ZINC DIE CAST	BLACK E-COATED
4	OVERMOLD	PVC	YELLOW
5	CABLE- 16 AWG, (65 x #34 COPPER STRANDING) 5 CONDUCTOR 600V, UL ST00W, CSA ST	PVC	YELLOW
6	LABEL	MYLAR	BLACK/YELLOW

RLSD DRAWING  
 EC NO: WNA2010-0397  
 DRWN: BWOODMAN2009/12/22  
 CH'KD: LHARTMAN  
 APPR: JFMURPHY 2010/01/05

QUALITY SYMBOL  
 ▽=0  
 ∇=0

DESCRIPTION  
 REV A

GENERAL TOLERANCES (UNLESS SPECIFIED)	
	IN/MM
4 PLACES	±.005 / ±.13
3 PLACES	±.010 / ±.25
2 PLACES	±.015 / ±.38
1 PLACE	±.020 / ±.51

ANGULAR ±1/2°

DRAFT WHERE APPLICABLE MUST REMAIN WITHIN DIMENSIONS

DIMENSION STYLE	
IN/MM	
DRAWN BY	DATE
CHECKED BY	DATE
APPROVED BY	DATE
MATERIAL NO.	DATE

SEE CHART

SCALE 1:1

DESIGN UNITS INCH

THIRD ANGLE PROJECTION

TITLE  
**MINI-CHANGE 5P FP CORDSET AUTO 16/5 AWG PVC AUTO**

MOLEX INCORPORATED

DOCUMENT NO. SD-130006-021

SHEET NO. 1 OF 1

THIS DRAWING CONTAINS INFORMATION THAT IS PROPRIETARY TO MOLEX INCORPORATED AND SHOULD NOT BE USED WITHOUT WRITTEN PERMISSION