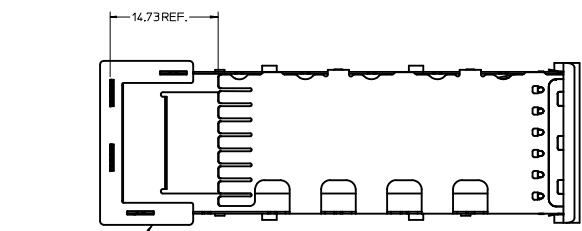
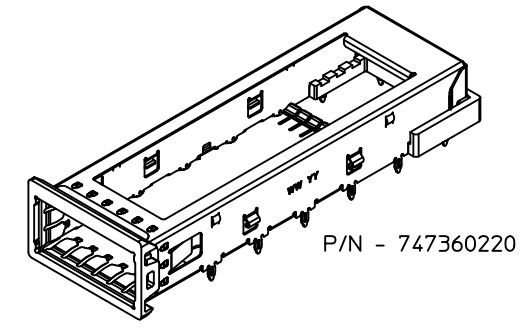
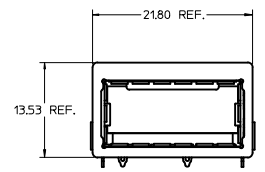
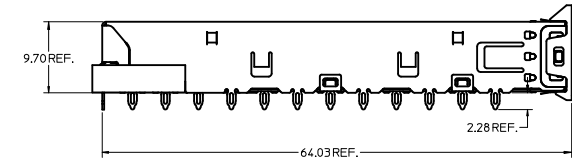
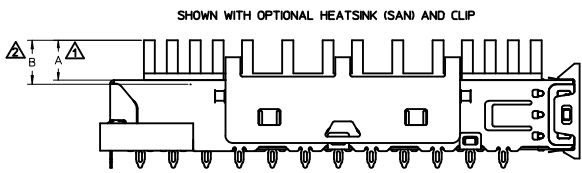


HEATSINK SINK AND CLIP ARE OPTIONAL
SEE CHART FOR HEATSINK OPTIONS
CUSTOM HEATSINKS ARE AVAILABLE



COMPLIANT EMI GASKET
(DARK COLORED)

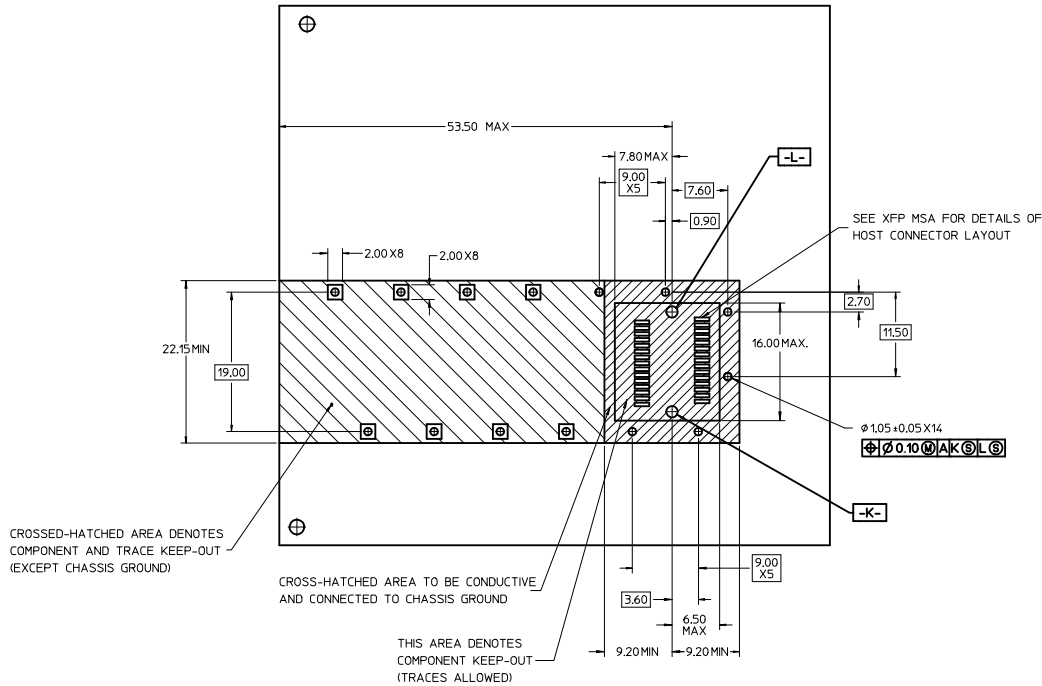


SHOWN WITH OPTIONAL HEATSINK (SAN) AND CLIP

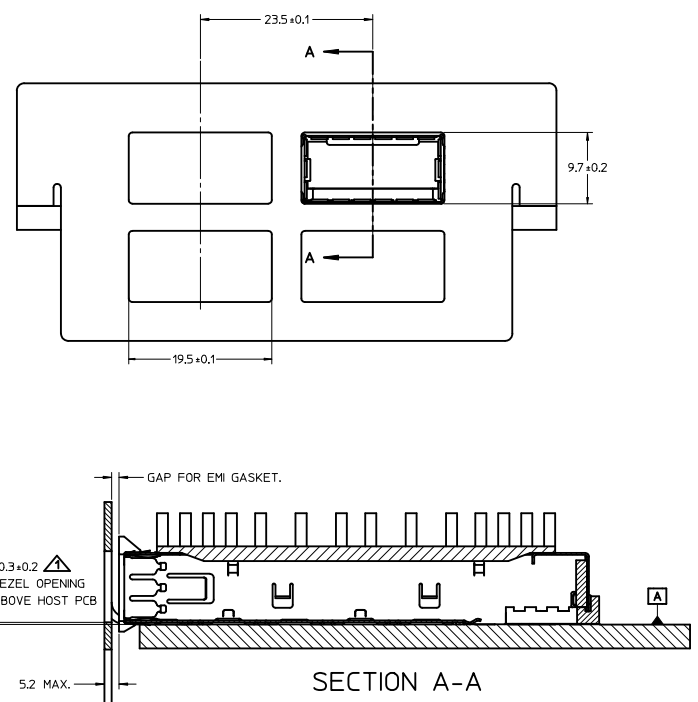
- ▲ MAXIMUM HEIGHT OF HEATSINK WITH MODULE INSERTED
- ▲ OVERALL HEIGHT OF HEATSINK
- 3. OTHER HEATSINK DESIGNS ARE AVAILABLE INCLUDING CUSTOM DESIGNS

PART NUMBER FOR XFP CAGE ASSEMBLY & PARTS					
P/N	DIM A	DIM B	DESCRIPTION	POWER LEVEL	THERMAL RESISTANCE @200 LFM
747360220	N/A	N/A	XFP CAGE WITH NO HEATSINK OR CLIP	N/A	N/A
747360221	4.0	4.2	XFP CAGE WITH PCI HEATSINK	UP TO 1.5W	<18.0 C/W
747360222	6.3	6.5	XFP CAGE WITH SAN HEATSINK (SHOWN)	UP TO 2.5W	<11.5 C/W
747360223	13.3	13.5	XFP CAGE WITH TALL HEATSINK	UP TO 3.5W	<8.0 C/W
747360230	N/A	N/A	HEATSINK CLIP ONLY	N/A	N/A
747360240	N/A	N/A	PCI HEATSINK ONLY	UP TO 1.5W	<18.0 C/W
747360241	N/A	N/A	SAN HEATSINK ONLY	UP TO 2.5W	<11.5 C/W
747360242	N/A	N/A	TALL HEATSINK ONLY	UP TO 3.5W	<8.0 C/W

ADDED NOTE PG 2 EC NO: USY2011-0296 DRAWN: ERWIN 2010/03/01 CHECKED: CHYKCHIRSHY APPROVED: RAHMOOD 2010/11/09	QUALITY SYMBOLS	GENERAL TOLERANCES (UNLESS SPECIFIED)	DIMENSION STYLE	SCALE	DESIGN UNITS	THIRD ANGLE PROJECTION
	▼=0 ▽=0	mm INCH 4 PLACES ±.000 ±.000 3 PLACES ±.005 ±.005 2 PLACES ±.010 ±.010 1 PLACE ±.025 ±.025 ANGULAR ± 1°	MM ONLY DRAWN BY: KLOYD 2004/05/14 CHECKED BY: BRUSSELL 2004/08/05 APPROVED BY: RAHMOOD 2010/11/09	3:1	METRIC	XFP CAGE ASSEMBLY MOLEX INCORPORATED SD-74736-220
	DRAFT WHERE APPLICABLE MUST REMAIN WITHIN DIMENSIONS	SEE CHART	MATERIAL NO.	DOCUMENT NO.	SHEET NO.	
					1 OF 2	



FOR PCI APPLICATIONS RECOMMENDED DIMENSION IS 0.4 ± 0.1



ADDED NOTE PG 2 EC NO: USY2011-0296 DRAWN BY: LERMIN CHKD BY: CHIRSHY APPR: MAHMOOD 2010/03/01 2010/11/09	QUALITY SYMBOLS ▽=0 ▽=0		GENERAL TOLERANCES (UNLESS SPECIFIED) DIMENSION STYLE MM ONLY		SCALE 3:1	DESIGN UNITS METRIC	THIRD ANGLE PROJECTION
	4 PLACES	±	---	±	---	DRAWN BY: KLOYD DATE: 2004/05/14	
	3 PLACES	±	---	±	---	CHECKED BY: BRUSSELL DATE: 2004/08/05	
	2 PLACES	±	0.10	±	---	APPROVED BY: MAHMOOD DATE: 2010/11/09	
1 PLACE	±	0.25	±	---	MATERIAL NO.: SEE CHART		DOCUMENT NO.: SD-74736-220
DRAFT WHERE APPLICABLE MUST REMAIN WITHIN DIMENSIONS		WATER NO.: SEE CHART		SHEET NO.: 2 OF 2		MOLEX INCORPORATED	
THIS DRAWING CONTAINS INFORMATION THAT IS PROPRIETARY TO MOLEX INCORPORATED AND SHOULD NOT BE USED WITHOUT WRITTEN PERMISSION							