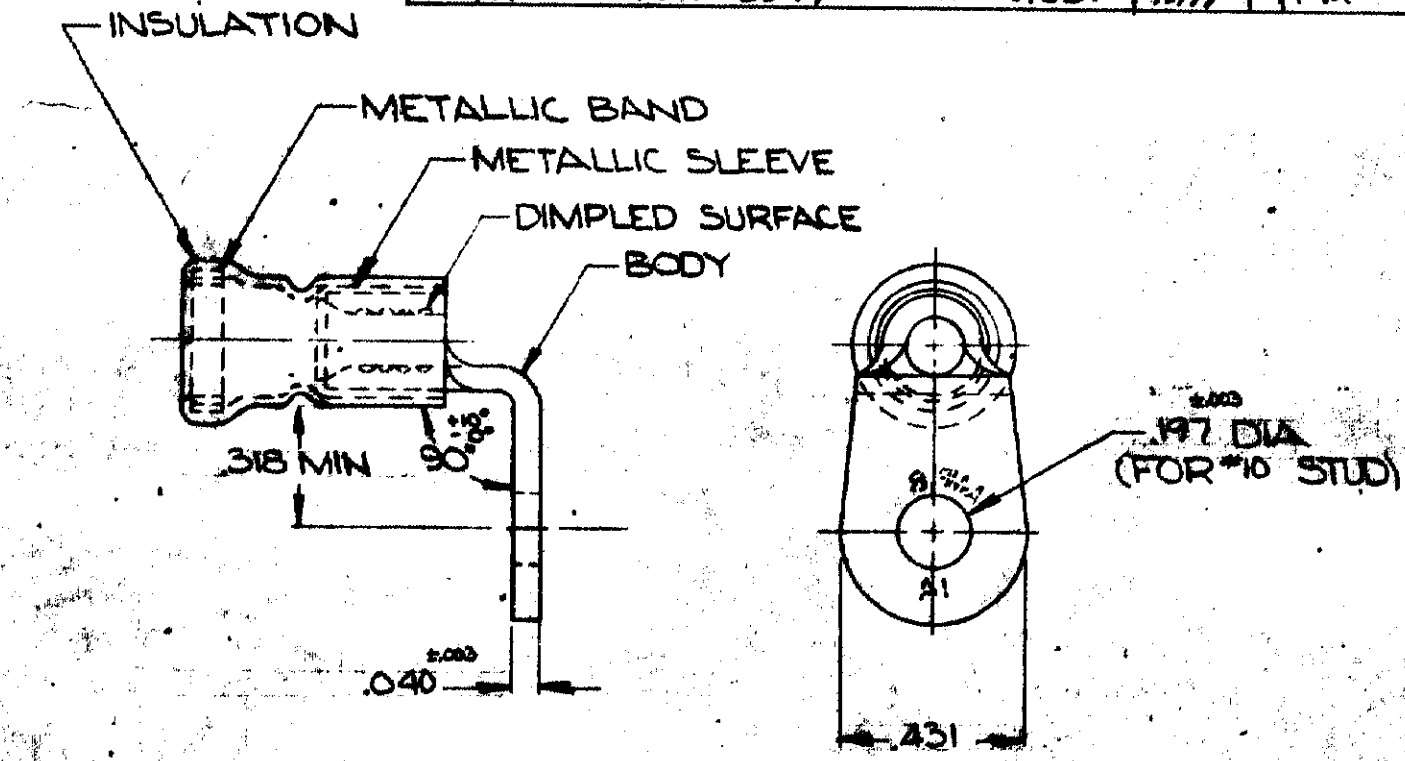


DRAWING MADE IN AMERICAN PROJECTION

LOC G 14 (B)

© 1967 BY AMP INCORPORATED. ALL RIGHTS RESERVED. AMP PRODUCTS COVERED BY PATENTS AND/OR PATENTS PENDING.

REVISIONS				
LTR	DESCRIPTION	DATE	APPROVED	
A	REDRAW & REVISED R-8563	1-5-70	<i>JML</i>	
B	REV. PER P-8347	4/9/79	<i>REB.</i>	



FOR 298 MAX WIRE INS. DIA.

1	WIRE TERMINAL	322880	BODY: COPPER (QQ-C-576)
			TIN PL (MIL-T-10727)
			INSULATION: PVC COLOR: RED
			METALLIC SLEEVE: COPPER (QQ-C-576)
			METALLIC BAND: STEEL (MIL-S-4174)
QTY	DESCRIPTION	PART NO.	MATERIAL & FINISH

UNLESS OTHERWISE SPECIFIED DIMENSIONS ARE IN INCHES  
TOLERANCES ON:  
DECIMALS ±.008  
ANGLES ± 5°

MATERIAL  
**SEE TABLE**

CONTRACT NO.	
DR.	<i>J. Epler</i> 11-7-69
CHK.	<i>Am Ewing</i> 1-5-70
APPD.	<i>Loebel</i> 1-6-70
REV.	<i>Am Ewing</i> 1-7-70
DSGN APPD.	
OTHER APPD.	

<b>AMP</b>		AMP INCORPORATED HARRISBURG, PENNSYLVANIA	
		NAME WIRE TERMINAL AMPLI-BOND-RING TONGUE-BENT 90° WIRE SIZE: 8	
SIZE	CODE	IDENT NO.	NUMBER
A		00779	322880