



**CUSTOMER:**

**CUSTOMER PN:**

**UCC PN:** E80D630VNN332AQ50T

**UCC MAXCIM NO.:** 87251

**ELECTRICAL CRITERIA**

CAPACITANCE (120Hz/20°C): 3300  $\mu$ F

CAP.TOLERANCE: -10/+30 %

RATED VDC 63 V

SURGE VDC (30 sec): 79 V

MAX. ESR (120Hz/20°C): 41 m $\Omega$

MAX. IRMS (120Hz/85°C): 4.9 A

MAX. DCL (V<sub>DC</sub>/5:00/20°C): 1.824 mA

**MECHANICAL CRITERIA**

MAX. VIBRATION: 10-55Hz 10g

**OPERATING CRITERIA**

MAX. TEMPERATURE: +85 °C

MIN. TEMPERATURE: -40 °C

LOAD LIFE (VDC/85°C): 2000 Hrs

MAX.  $\Delta$  CAP. (measured value):  $\leq 15$  %

MAX.ESR  $\delta$  (specified value):  $\leq 1.5$  x

MAX. DCL (V<sub>DC</sub>/5:00/20°C): 1.824 mA

SHELF LIFE (85°C): 500 Hrs

MAX.  $\Delta$  CAP. (measured value):  $\leq 15$  %

MAX.ESR  $\delta$  (specified value):  $\leq 1.3$  x

MAX. DCL (V<sub>DC</sub>/5:00/20°C): 3.648 mA

**IRMS FREQUENCY MULTIPLIERS**

VDC	50-60	300-1k	>1k
16-49	0.85	1.10	1.15
50-199	0.83	1.15	1.20
200-500	0.80	1.30	1.40

**IRMS AMBIENT MULTIPLIERS**

55°C	65°C	75°C	85°C
2.00	1.70	1.40	1.00

**SPECIAL**

RoHS COMPLIANT

---

---

---

---

---

---

---

---

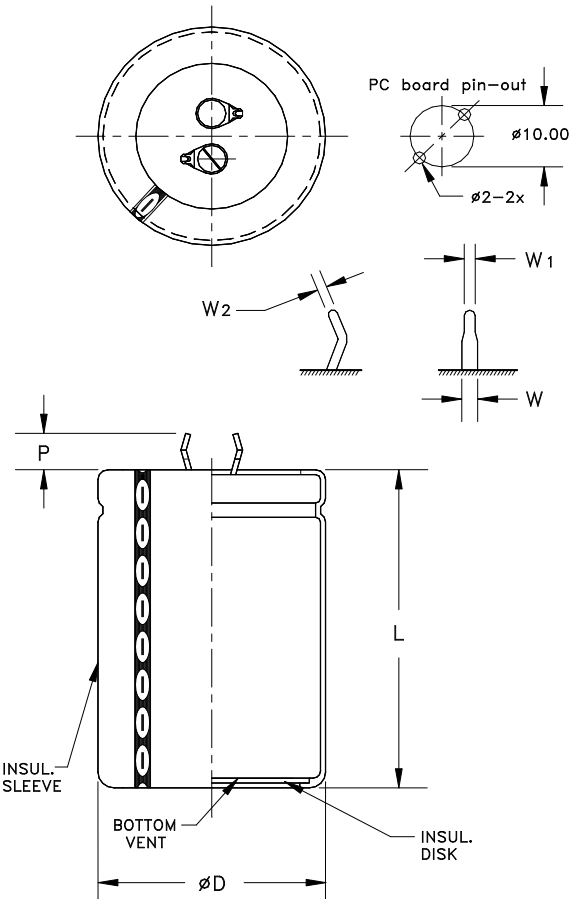
---

---

DIMENSIONAL CRITERIA				
X	mm		in	
	$\varnothing$ D	25.4	- NA	+ 1.0
L	50.0	- 2.0	+ 2.0	
P	5.8	- 1.0	+ 1.0	
W	1.5	- 0.2	+ 0.2	
W1	1.0	- 0.1	+ 0.1	
W2	1.0	- 0.1	+ 0.1	

**MARKING**

80D 85°C  
3300uF(P) 63V  
Date Code



TDS NO.: TDS-06-0366  
AUTHOR: DDG  
DATE: 5-22-06