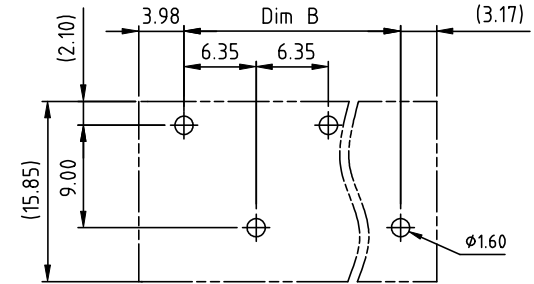
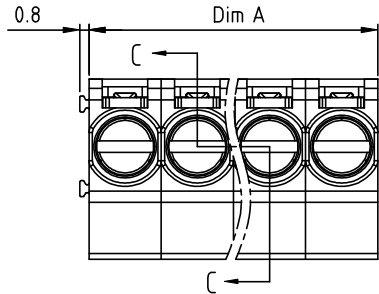




PRODUCT NUMBER	PITCH
KPxx01x000J0G	6.35 mm



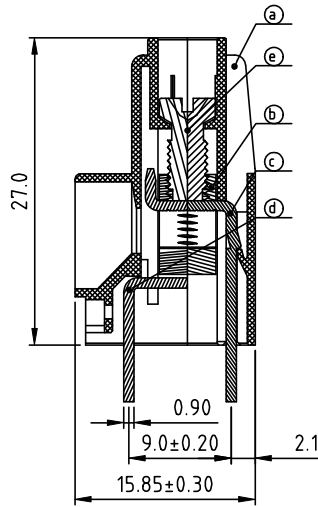
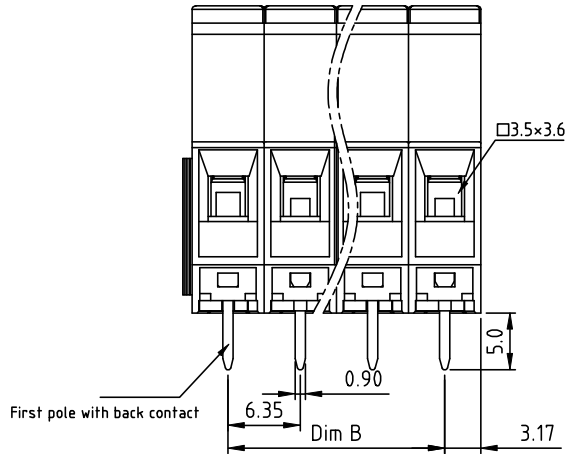
RECOMMENDED P.C.B LAYOUT  
TOP VIEW

Material:

- ItemⒶTerminal housing:Thermoplastic (UL 94V-0)
- ItemⒷClamp: Brass Ni plated
- ItemⒸBack pin : Copper Tin plated
- ItemⒹFront pin : Copper Tin plated
- ItemⒺTerminal screw: Steel Zinc plating"-slot type

Electrical cULs

- Voltage rating: 600VAC
- Current rating: 30A
- Wire range:
- Solid wire(AWG): 10-24
- Stranded wire(AWG): 10-24
- Torque(Lb-In): 5.3
- Screw: M3.5
- Wire strip length: 8-9mm
- Withstanding Voltage: 2.2KV
- Operating temperature: -40°C to +115°C
- Soldering temperature: 260°C±5°C/5 Sec
- Safety Approval:



SECTION C-C

PART NO.: KP xx 0 1 x 0 00J0 G

N = Number of poles  
 Dim A=Nx6.35  
 Dim B=(N-1)x6.35

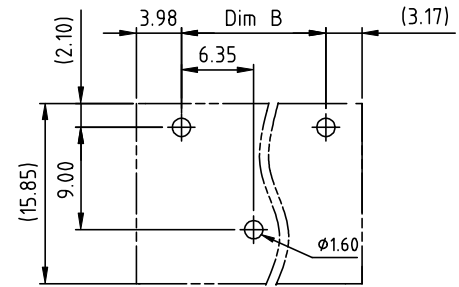
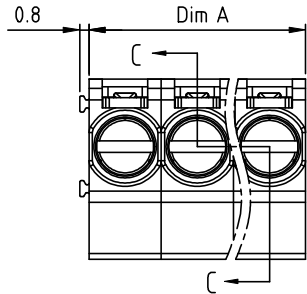
Poles	Dim A	Dim B
2P/4P/6p	±0.20	±0.15
8P/10P/12p	±0.30	±0.25
14P/16p	±0.40	±0.35

End Stackable	No. of poles	Body Color	RoHS compliant
0	2	Black (RAL9005)	(lead<4%) In copper Alloy
02	2 poles	Red (RAL3001/D)	
04	4 poles	Orange(RAL2011/P)	
...	...	Yellow(RAL1018/A)	
16	16 poles	Green(RAL6018/T)	
		Blue (RAL5015/A)	
		Grey(RAL7035/D)	
		White(RAL1102)	
		C Green(RAL6018/U)	

mat'l. code				surface ASME Y14.5		tolerance ASME Y14.5		projection 		product family TERMINAL BLOCK	
ltr	ecn no	dr	date	tolerances unless otherwise specified							
				angles	X.±0.5		MM		title TERMINAL BLOCK		
				fin	X.X±0.3		scale		RISING CLAMP,180D WIRE INLET,INTERLACE,EVEN POLES		
				X'±1"	X.XX±0.1		scale		sheet 1 of 2 size		
		dr	EVIN ZHONG	041414				dwg no		A4	
		enr	EVIN ZHONG	041414				KPxx01x000J0G			
		chr	HANKE FENG	041414							
		appd	SHI JUN	041414						CUSTOMER Drawing	
sheet index	revision sheet	A	1								



PRODUCT NUMBER	PITCH
KPxx01x000J0G	6.35 mm



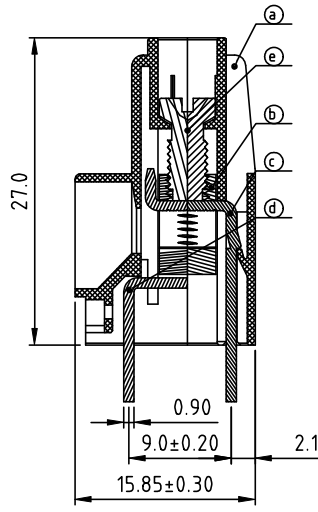
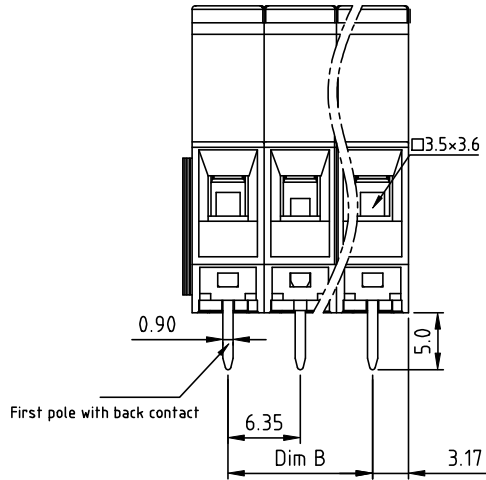
RECOMMENDED P.C.B LAYOUT  
TOP VIEW

Material:

- Item①Terminal housing:Thermoplastic (UL 94V-0)
- Item②Clamp: Brass Ni plated
- Item③Back pin : Copper Tin plated
- Item④Front pin : Copper Tin plated
- Item⑤Terminal screw: Steel Zinc plating"-slot type

Electrical cULs

- Voltage rating: 600VAC
- Current rating: 30A
- Wire range:
- Solid wire(AWG): 10-24
- Stranded wire(AWG): 10-24
- Torque(Lb-In): 5.3
- Screw: M3.5
- Wire strip length: 8-9mm
- Withstanding Voltage: 2.2KV
- Operating temperature: -40°C to +115°C
- Soldering temperature: 260°C±5°C/5 Sec
- Safety Approval:



SECTION C-C

PART NO.: KP xx 0 1 x 0 00J0 G

N = Number of poles  
 Dim A=Nx6.35  
 Dim B=(N-1)x6.35

Poles	Dim L	Dim B
3P/5P	±0.20	±0.15
7P/9P/11P	±0.30	±0.25
13P/15P	±0.40	±0.35

End Stackable	No. of poles	Body Color	RoHS compliant
0	2	Black (RAL9005)	(lead<4%) In copper Alloy
03	3 poles	Red (RAL3001/D)	
05	5 poles	Orange(RAL2011/P)	
...	...	4 Yellow(RAL1018/A)	
15	15 poles	5 Green(RAL6018/T)	
		6 Blue (RAL5015/A)	
		8 Grey(RAL7035/D)	
		9 White(RAL1102)	
		C Green(RAL6018/U)	

mat'l. code				surface ASME Y14.5		tolerance ASME Y14.5		projection		product family TERMINAL BLOCK	
ltr	ecn no	dr	date	tolerances unless otherwise specified						title	
				angles		X.±0.5		MM		TERMINAL BLOCK	
				X'±1"		X.XX±0.3		scale		RISING CLAMP,180D WIRE INLET,INTERLACE,ODD POLES	
						X.XX±0.1				scale	
		dr	EVIN ZHONG	041414						sheet 2 of 2 size	
		enr	EVIN ZHONG	041414						KPxx01x000J0G	
		chr	HANKE FENG	041414						A4	
		appd	SHI JUN	041414						CUSTOMER Drawing	
sheet	revision	A									
index	sheet	2									