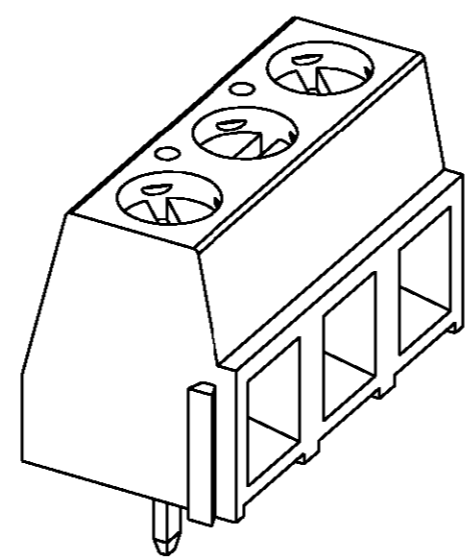
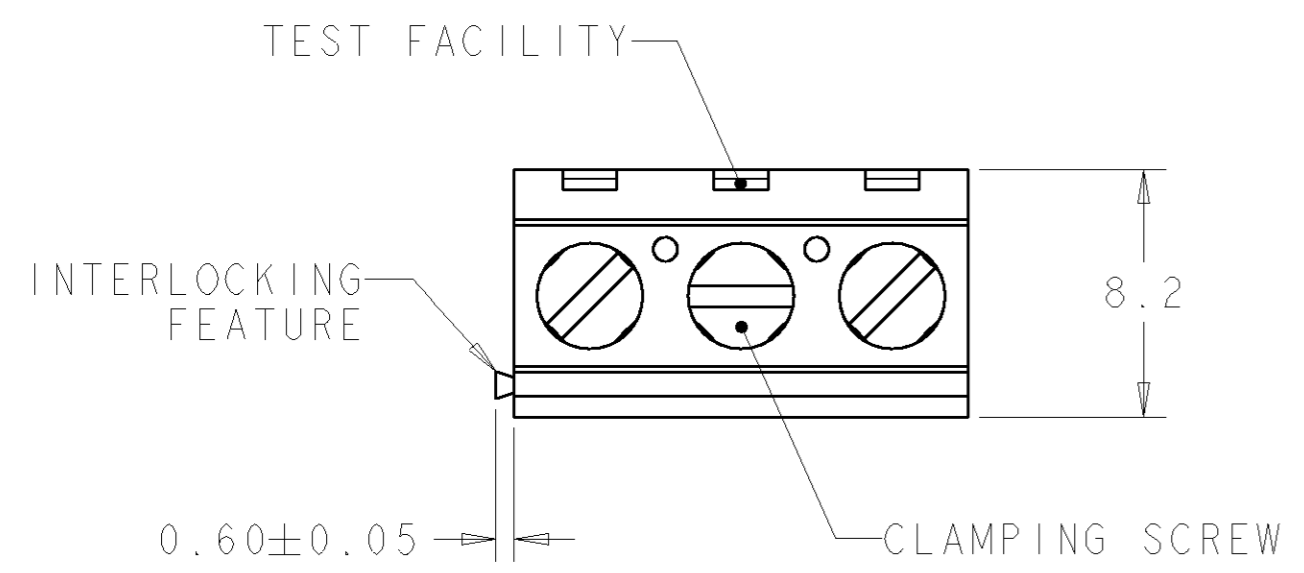


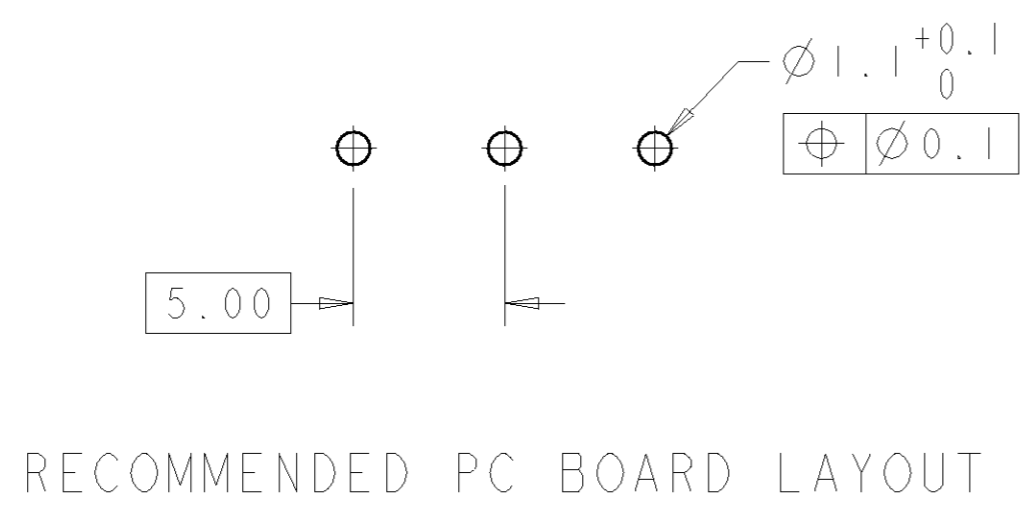
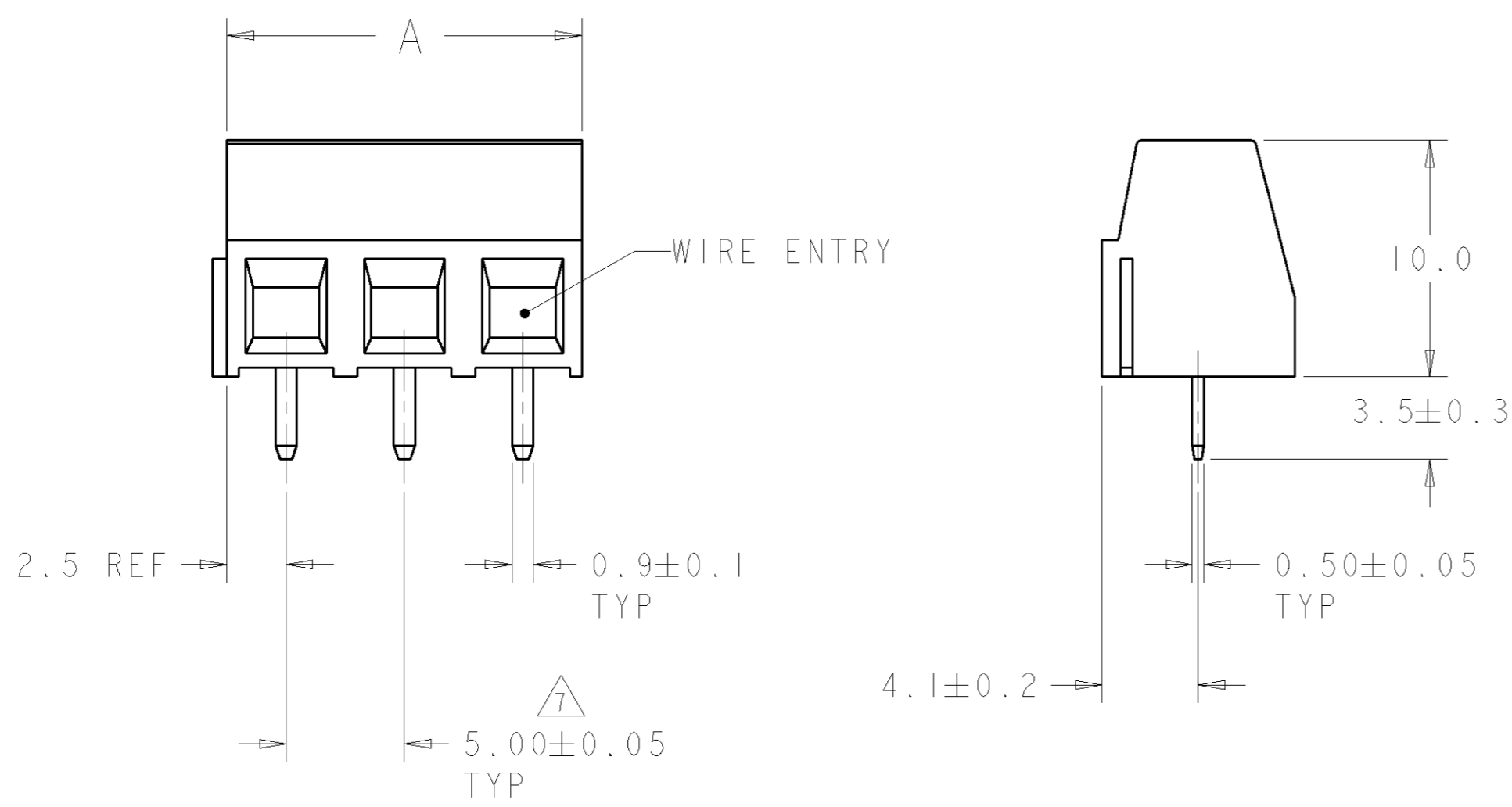
THIS DRAWING IS UNPUBLISHED. RELEASED FOR PUBLICATION 20
 © COPYRIGHT BY ALL RIGHTS RESERVED.

LOC	DIST	REVISIONS			
P	LTR	DESCRIPTION	DATE	DWN	APVD
FT	0				
	A1	REVISED PER ECO-11-005294	30APR11	RK	HMR



1546216-3 AS SHOWN

- △ MATERIALS AND FINISH
 HOUSING: PA 6-6, UL 94-V0, COLOR GRAY.
 CLAMP: BRASS, NICKEL PLATED.
 TERMINAL: BRASS, TIN PLATED.
 CLAMPING SCREW: M3, BRASS, NICKEL PLATED.
- 2. SUITABLE FOR 1,6-2,4mm PC BOARD THICKNESS.
- 3. END-TO-END STACKABLE W/INTERLOCK WITHOUT LOSS OF CENTERLINE SPACING.
- 4. WIRE SIZE RANGE: 15-17 AWG.
- 5. RECOGNIZED UNDER THE COMPONENT PROGRAM OF UNDERWRITERS LABORATORIES INC., FILE N° E60677.
- 6. IMQ CERTIFICATE WITH SURVEILLANCE IN CONFORMITY WITH IEC 998-1/998-2-1.
- △ NOT CUMULATIVE TOLERANCE.



125.0	25	2-1546216-5
120.0	24	2-1546216-4
115.0	23	2-1546216-3
110.0	22	2-1546216-2
105.0	21	2-1546216-1
100.0	20	2-1546216-0
95.0	19	1-1546216-9
90.0	18	1-1546216-8
85.0	17	1-1546216-7
80.0	16	1-1546216-6
75.0	15	1-1546216-5
70.0	14	1-1546216-4
65.0	13	1-1546216-3
60.0	12	1-1546216-2
55.0	11	1-1546216-1
50.0	10	1-1546216-0
45.0	9	1546216-9
40.0	8	1546216-8
35.0	7	1546216-7
30.0	6	1546216-6
25.0	5	1546216-5
20.0	4	1546216-4
15.0	3	1546216-3
10.0	2	1546216-2
A	NO OF POSN	PART NUMBER

DIMENSIONS: mm 		TOLERANCES UNLESS OTHERWISE SPECIFIED: 0 PLC ±.3 1 PLC ±.3 2 PLC ±.25 3 PLC ±. 4 PLC ±. ANGLES ±2 FINISH		DWN 27FEB2004 S. WELDON CHK 27FEB2004 C. RICHARD APVD 27FEB2004 C. RICHARD PRODUCT SPEC 108-20166 APPLICATION SPEC 114-20079 WEIGHT - CUSTOMER DRAWING	STE TE Connectivity NAME TERMINAL BLOCK, PCB MOUNT SIDE ENTRY WIRE, STACKING W/INTERLOCK, 5.00mm PITCH SIZE A2 CAGE CODE 00779 DRAWING NO. 1546216 RESTRICTED TO - SCALE 4. SHEET OF REV A1
-----------------------	--	---	--	---	---