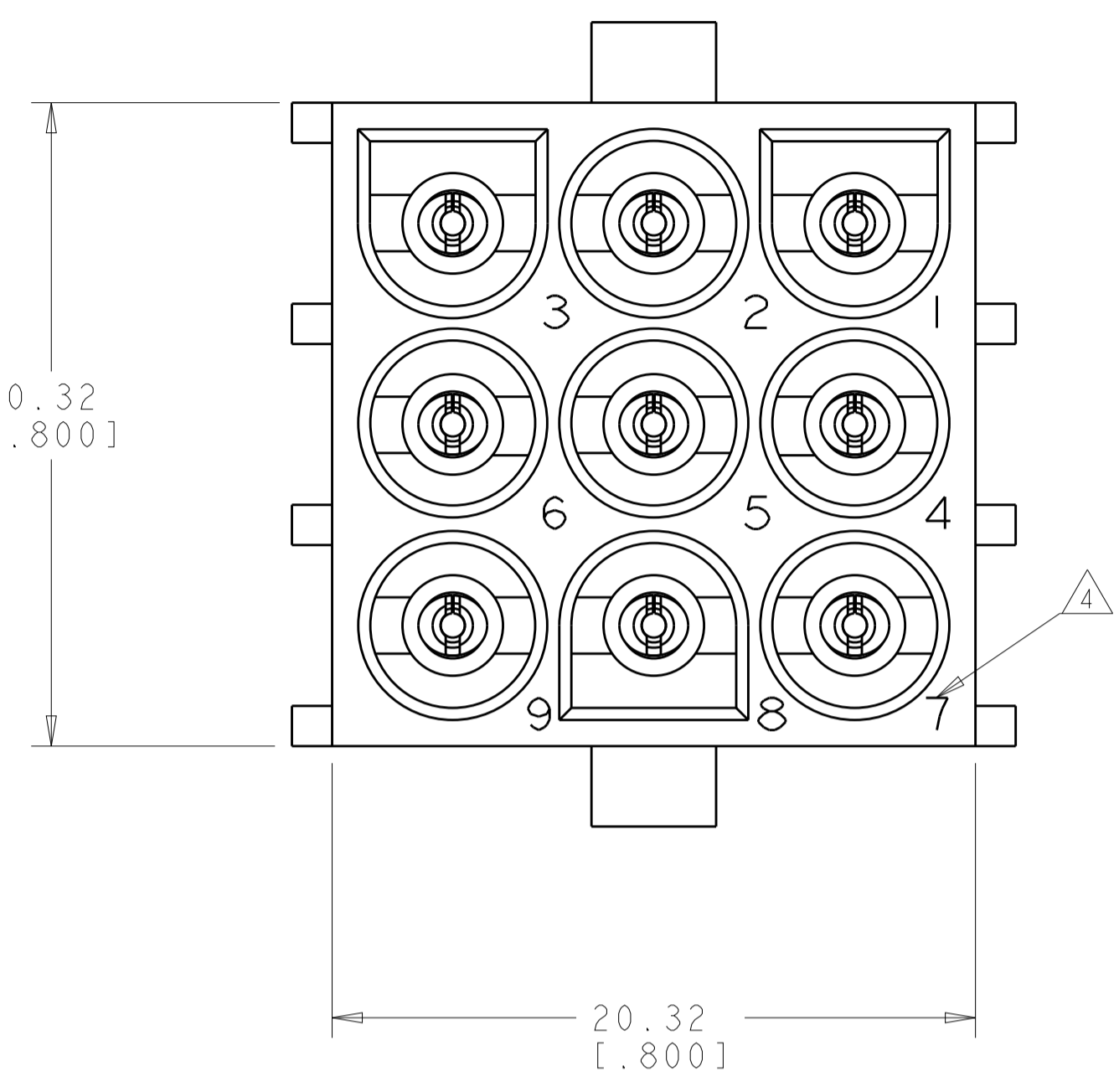
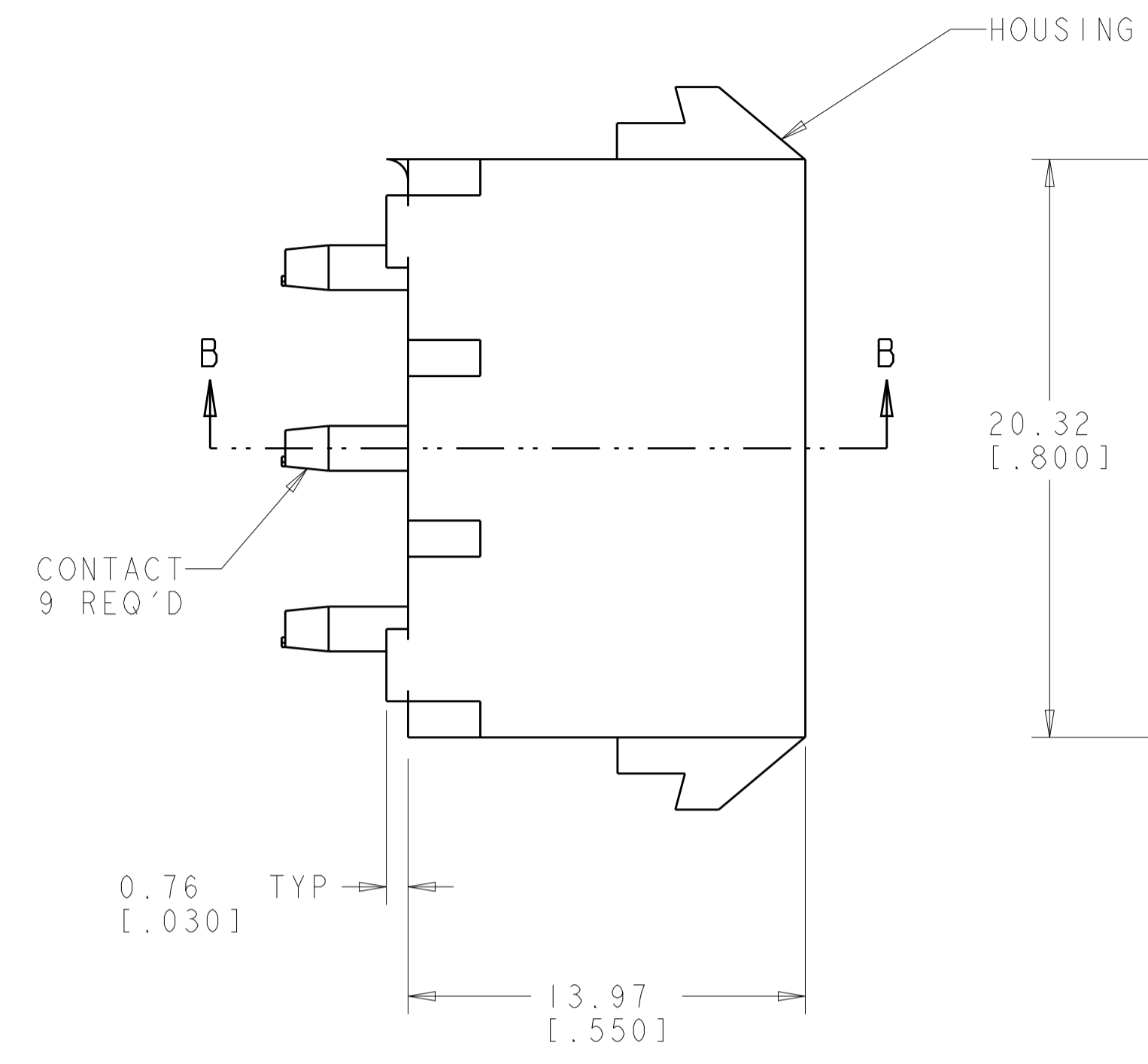
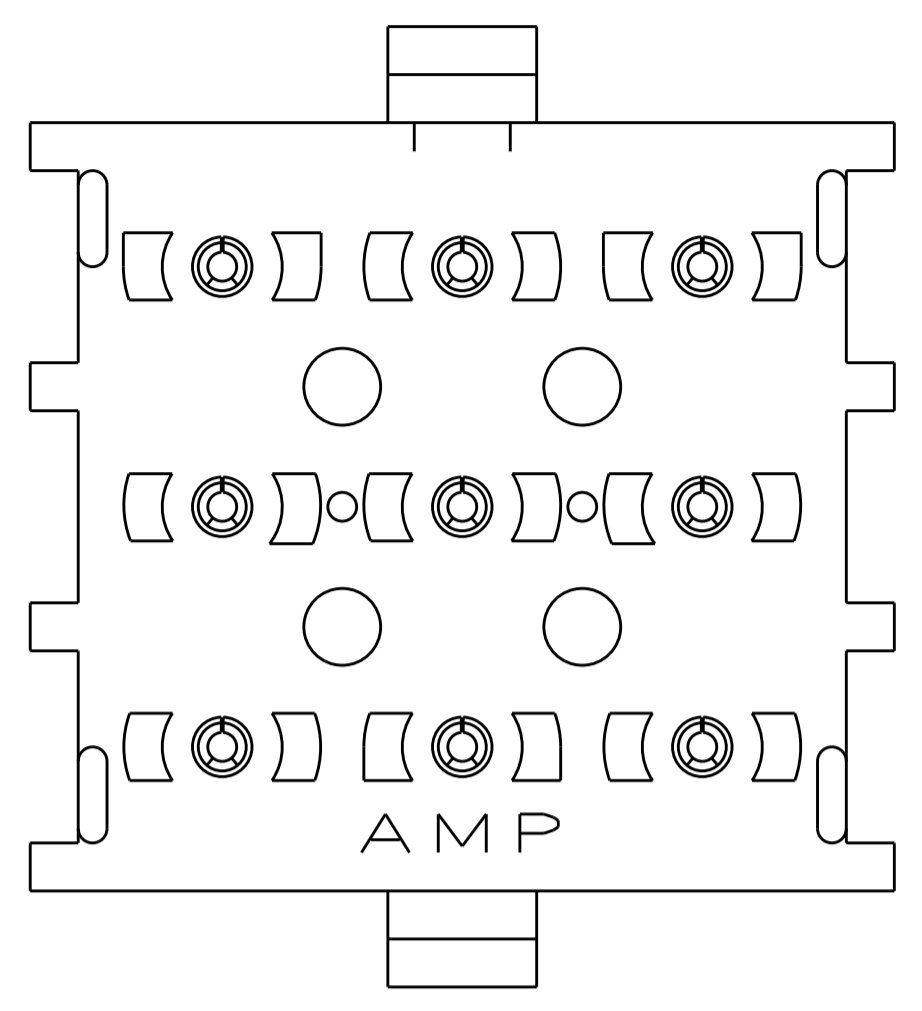
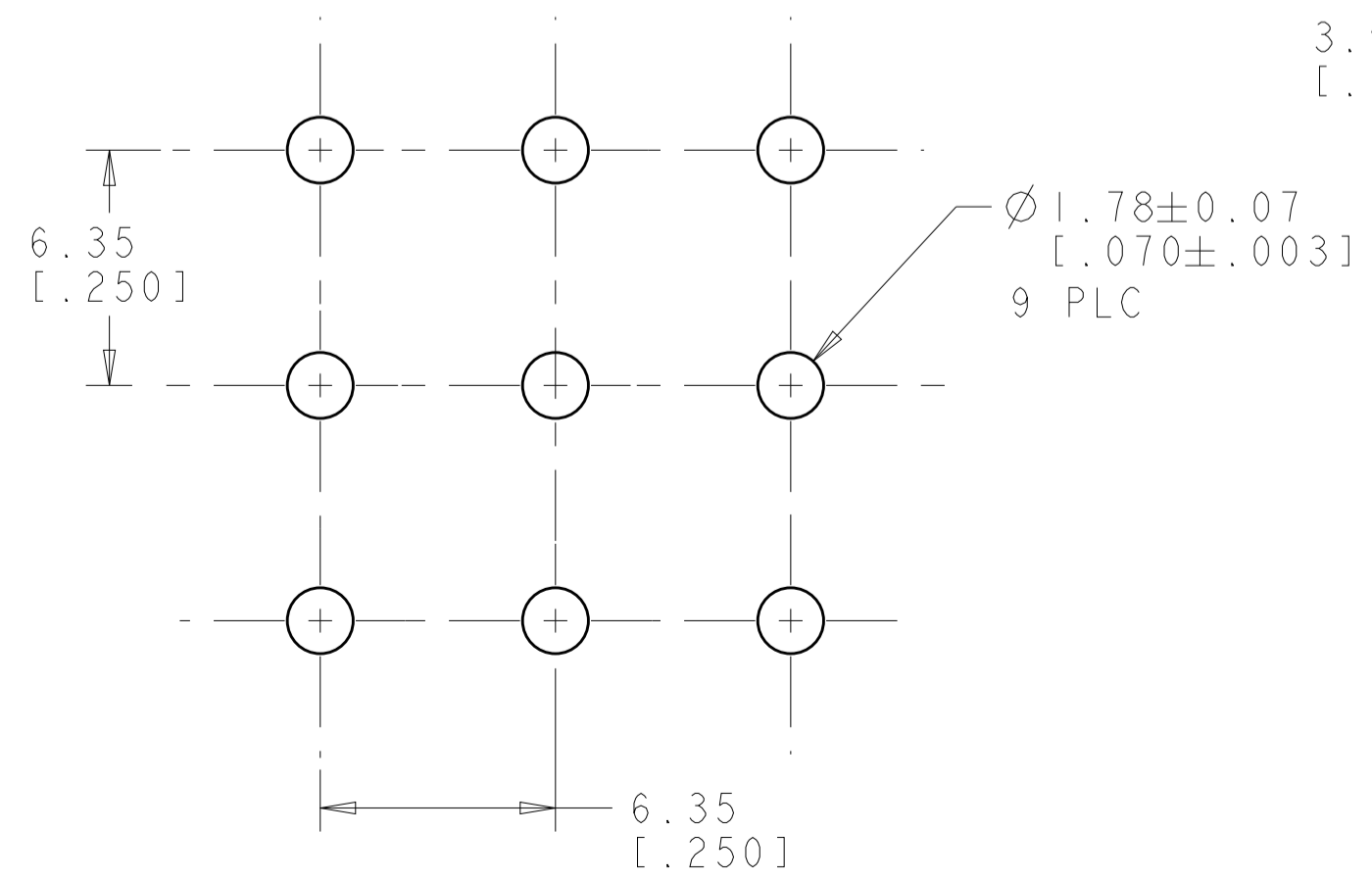
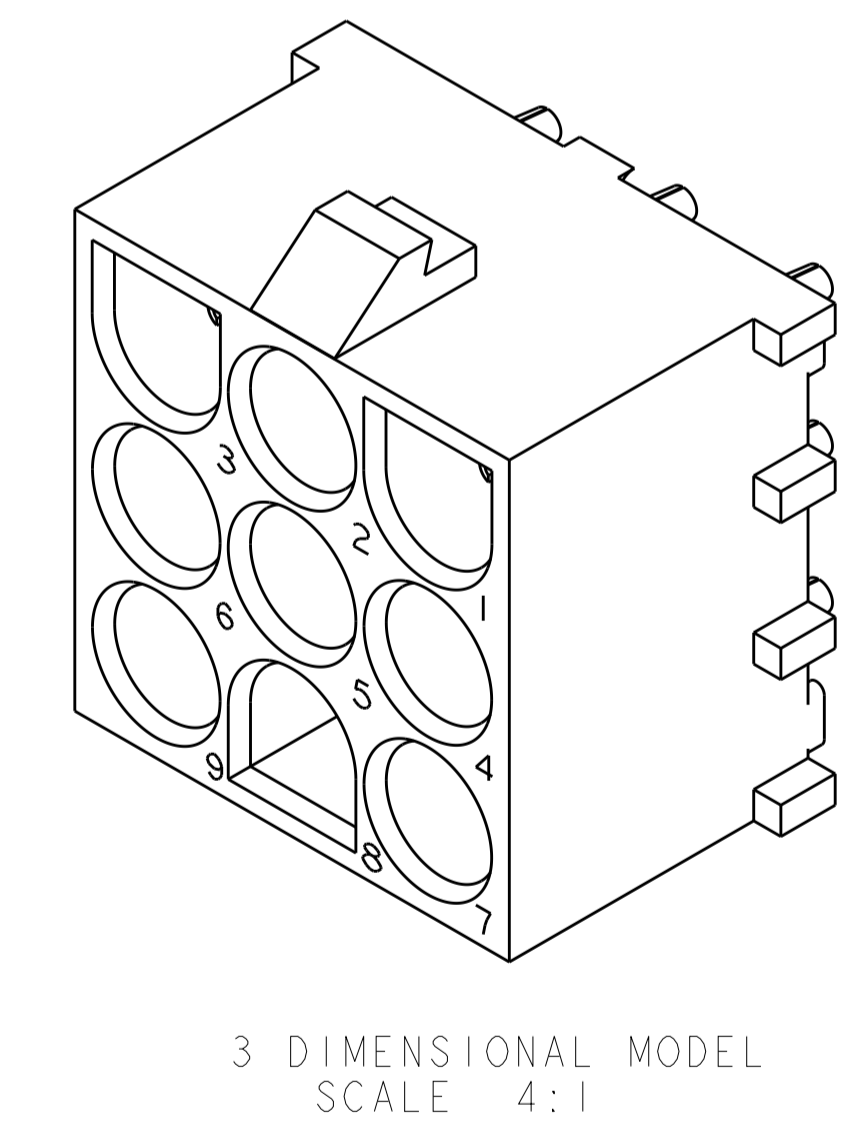
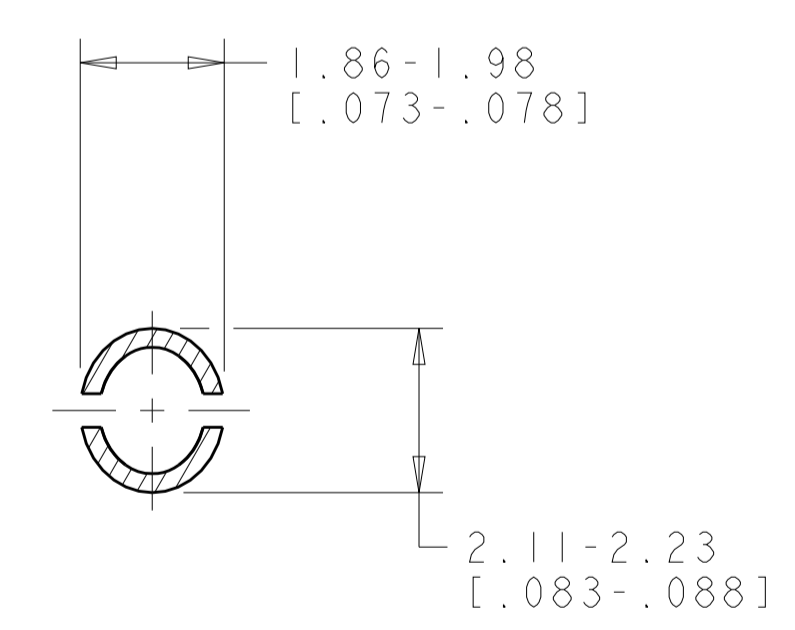
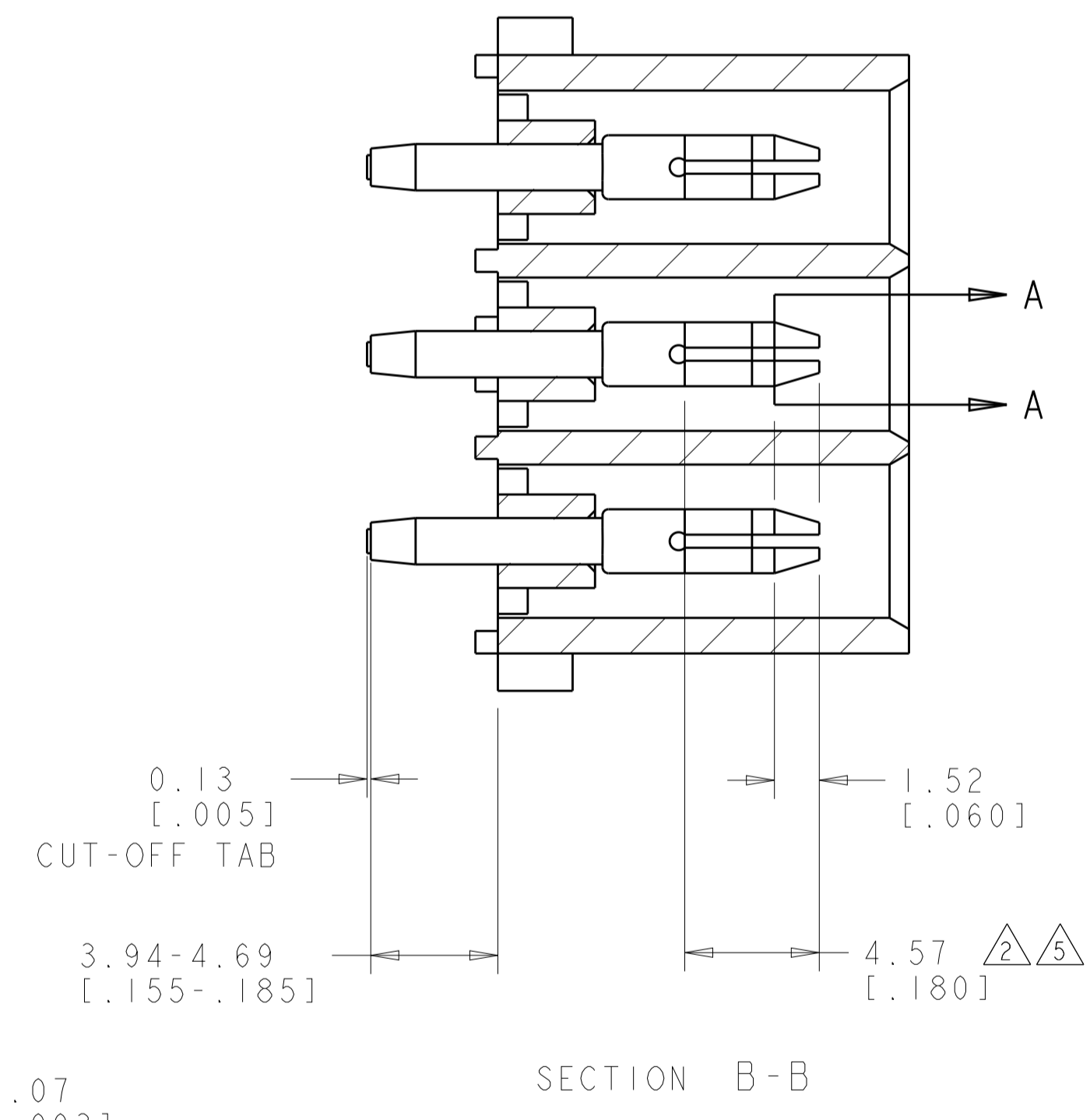


LOC	DIST	REVISIONS					
		P	LTN	DESCRIPTION	DATE	DWN	APVD
CM	00	W2		REVISED PER ECR-12-011660	24JAN2013	KH	TM

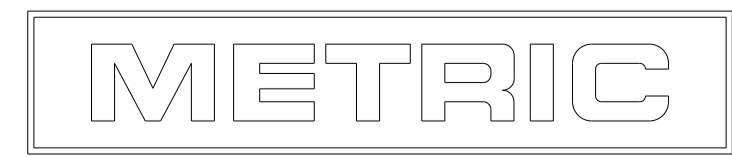


1. PARTS COMPLY TO AMP SOLDERABILITY SPECIFICATION 109-11-3.
  2. CONTACT IS PLATED OVERALL WITH 0.00127 [.000050] NICKEL, THEN 0.00076 [.000030] GOLD OVER CONTACT LENGTH INDICATED AND TIN LEAD ON SOLDER TAIL END.
  3. MATES WITH HOUSING 480706.
  4. CIRCUIT IDENTIFICATION CHARACTERS ARE ADJACENT TO THE INDICATED CAVITIES, BUT LOCATION AND ORIENTATION MAY DIFFER FROM PRINT.
  5. CONTACT IS PLATED OVERALL WITH 0.00127 [.000050] NICKEL, THEN 0.00076 [.000030] GOLD OVER CONTACT LENGTH INDICATED AND MATTE TIN ON SOLDER TAIL END.
  6. DIMENSIONS IN BRACKETS ARE IN INCHES.
7. SUPERSEDED BY 350432-4



RECOMMENDED MOUNTING HOLE PATTERN FOR 1.57 [.062] THICK P.C. BOARD

PHOSPOR BRONZE, GOLD	NYLON, UL94V-2, NATURAL	350432-4
PHOSPOR BRONZE, GOLD	NYLON, UL94V-2, NATURAL	350432-2
PHOSPOR BRONZE, PRE-TIN	NYLON, UL94V-2, NATURAL	350432-1
PIN CONTACT MATERIAL AND FINISH	HOUSING MATERIAL AND COLOR	PART NUMBER



THIS DRAWING IS A CONTROLLED DOCUMENT.		DATE		DRAWN		CHECKED		APPROVED	
DIMENSIONS: mm [INCHES]		19JULY2005		R. WHITAKER		S. RIDGILL		S. RIDGILL	
TOLERANCES UNLESS OTHERWISE SPECIFIED:		19JULY2005		S. RIDGILL		S. RIDGILL		S. RIDGILL	
0 PLC ±		19JULY2005		S. RIDGILL		S. RIDGILL		S. RIDGILL	
1 PLC ±0.131(.005)		19JULY2005		S. RIDGILL		S. RIDGILL		S. RIDGILL	
2 PLC ±		19JULY2005		S. RIDGILL		S. RIDGILL		S. RIDGILL	
3 PLC ±		19JULY2005		S. RIDGILL		S. RIDGILL		S. RIDGILL	
4 PLC ±		19JULY2005		S. RIDGILL		S. RIDGILL		S. RIDGILL	
ANGLES 40°/30°		19JULY2005		S. RIDGILL		S. RIDGILL		S. RIDGILL	
FINISH SEE TABLE		19JULY2005		S. RIDGILL		S. RIDGILL		S. RIDGILL	
MATERIAL SEE TABLE		19JULY2005		S. RIDGILL		S. RIDGILL		S. RIDGILL	
CUSTOMER DRAWING		19JULY2005		S. RIDGILL		S. RIDGILL		S. RIDGILL	



PIN HEADER ASSEMBLY, 9 CIRCUIT, UNIVERSAL MATE-N-LOK™

SIZE: A1 CAGE CODE: 350432