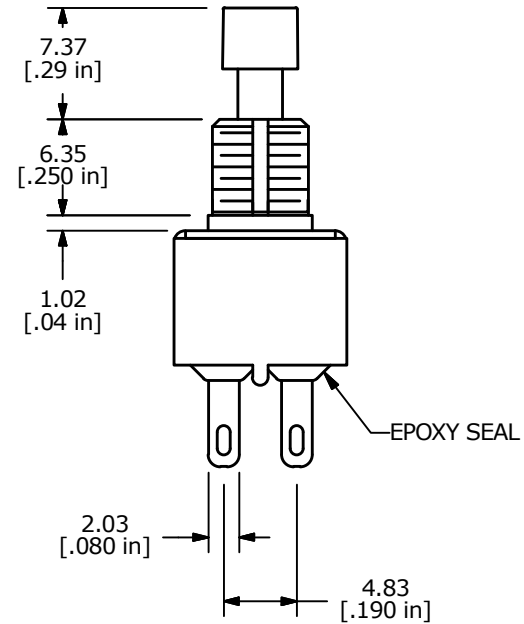
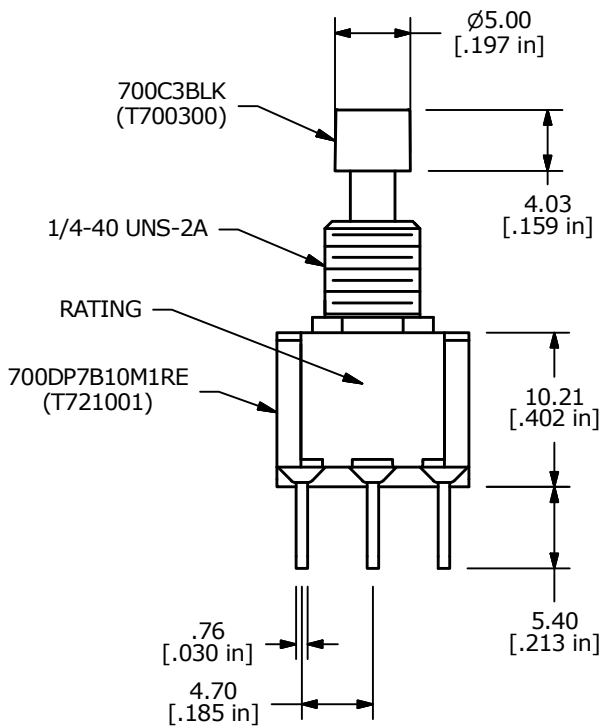
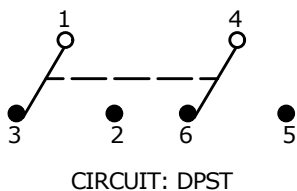
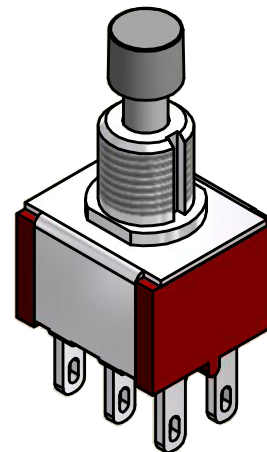
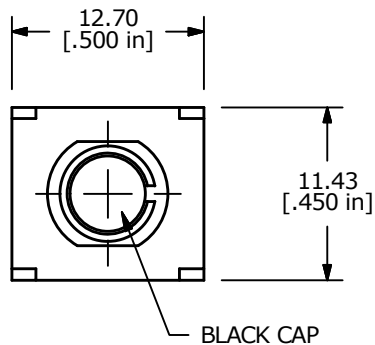
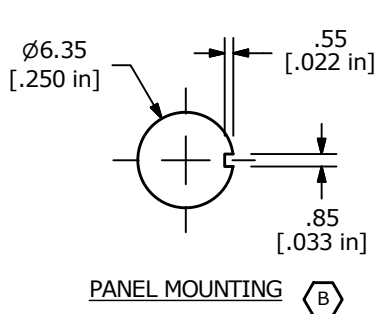


SWITCH FUNCTION	
POS. 1	POS. 2
ON	(ON)
1-3, 4-6	1-2, 4-5

() = MOMENTARY



NOTES:

1. ALL DIMENSIONS IN MM [INCH]
2. GENERAL TOLERANCE: x.x=± 0.4
x.xx=± 0.25
3. TERMINAL NUMBERS FOR REFERENCE ONLY
- ▲ 4. PLATING MATERIAL: GOLD
5. RATING: 0.4VA MAX. @ 20VAC or DC MAX.
6. ELECTRIC LIFE: 50,000 make-and-break cycles at full load
7. INSULATED RESISTANCE: 1,000mOHM MIN.
8. DIELECTRIC STRENGTH: 1,000V RMS @ sea level
9. OPERATING TEMPERATURE: -30°C to 85°C
10. ▲ DENOTES CRITICAL PARAMETER
11. 2002/95/EC (ROHS) COMPLIANT



B	21901	CORRECT PANEL MNT. CUTOUT	7/31/15	MW
A	16041	NEW PART RELEASE	5/19/06	CT
REV	PCR NO	DESCRIPTION	DATE	BY

TITLE 700DP7B10M1REC3BLK				
SCALE	DATE	DR	DWG	REV
2:1	5/19/2006	CT	XT0135P	B

THE INFORMATION CONTAINED IN THIS DOCUMENT IS PROPRIETARY TO E-SWITCH AND IS NOT TO BE COPIED OR TRANSFERRED