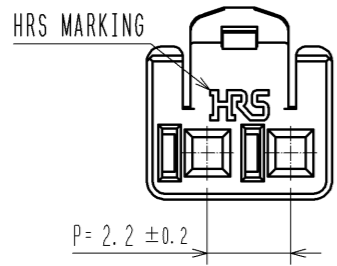
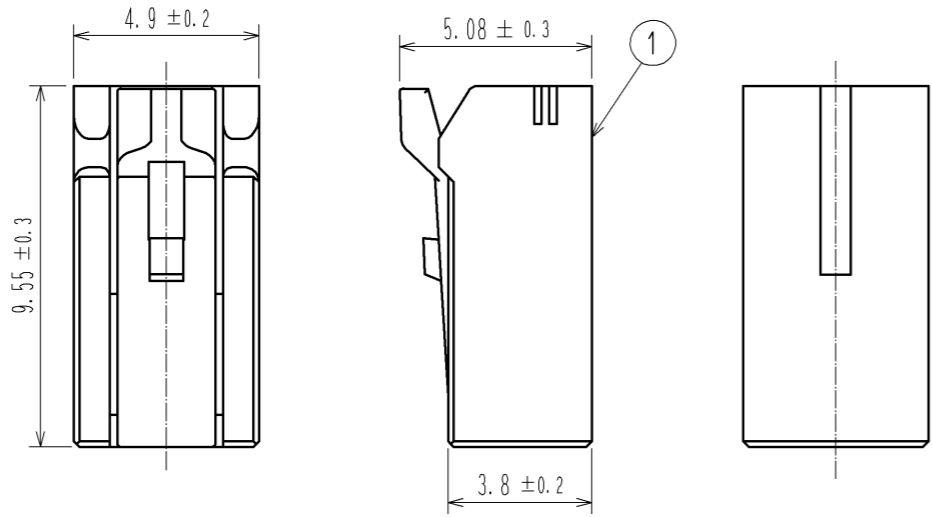
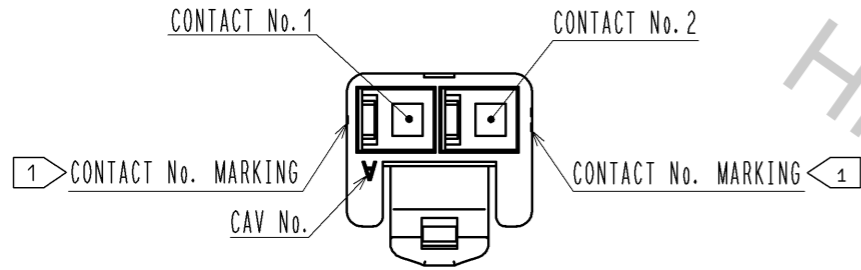
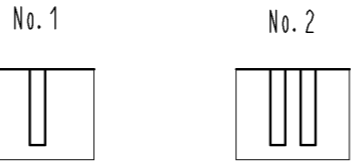
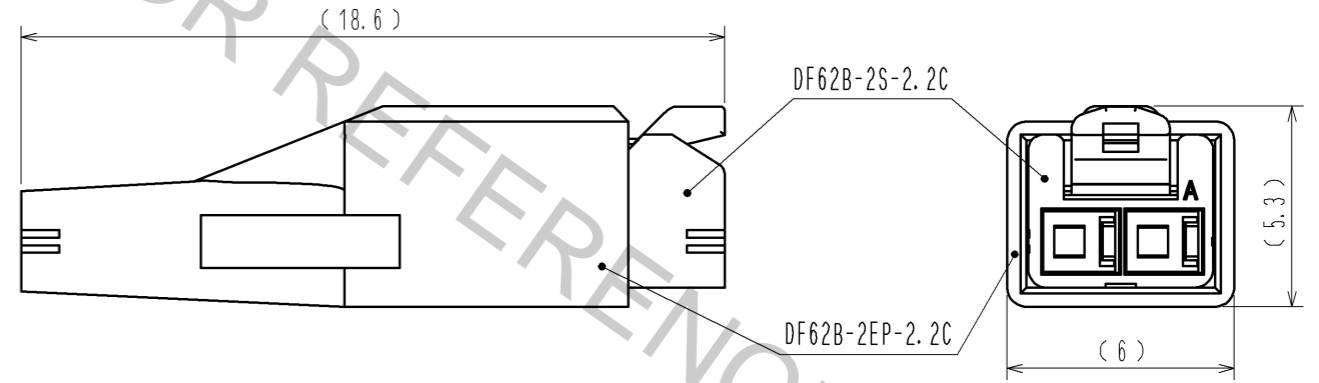


1 FIGURE-1 CONTACT No. MARKING (10:1)



MATING FIGURE



- NOTE. 1 MARKINGS AT THE INDICATED POSITIONS ARE CONTACT NO. MARKING. AND SHAPES ARE SHOWN IN FIGURE-1.
 2. PER PACK : 100 PIECES.
 3. THE DIMENSIONS IN PARENTHESIS ARE FOR REFERENCE.

NO.		MATERIAL		FINISH . REMARKS		1	PBT	UL94V-0 (WHITE)
UNITS mm		SCALE 5 : 1		COUNT		DESIGNED		CHECKED
HRS		HIROSE ELECTRIC CO., LTD.		APPROVED : KI. AKIYAMA		13.06.06		DRAWING NO. EDC3-351955-00
				CHECKED : MN. KENJO		13.06.06		PART NO. DF62B-2S-2.2C
				DESIGNED : TH. YOSHIKAWA		13.06.06		CODE NO. CL544-0551-0-00
				DRAWN : TH. YOSHIKAWA		13.06.06		1/1