



Mallory Sonalert Products, Inc.

Part #:

SC250FJR

Sales Outline Drawing

Revision:

D

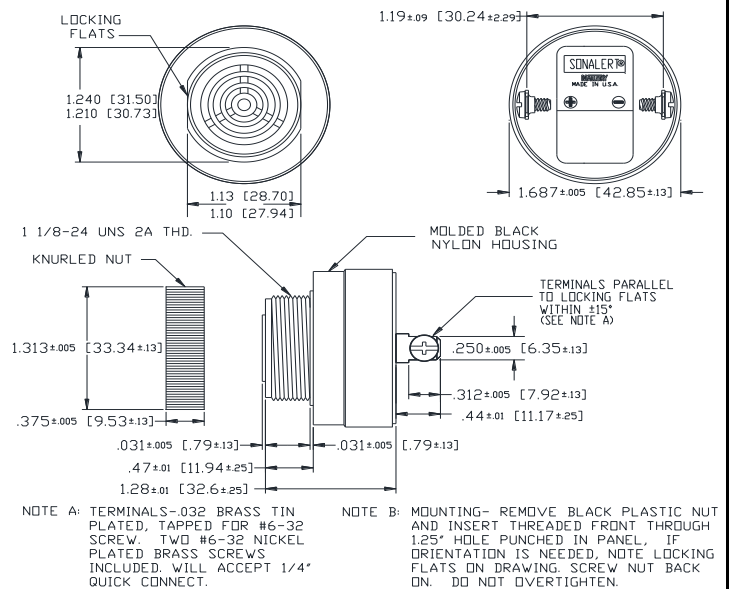
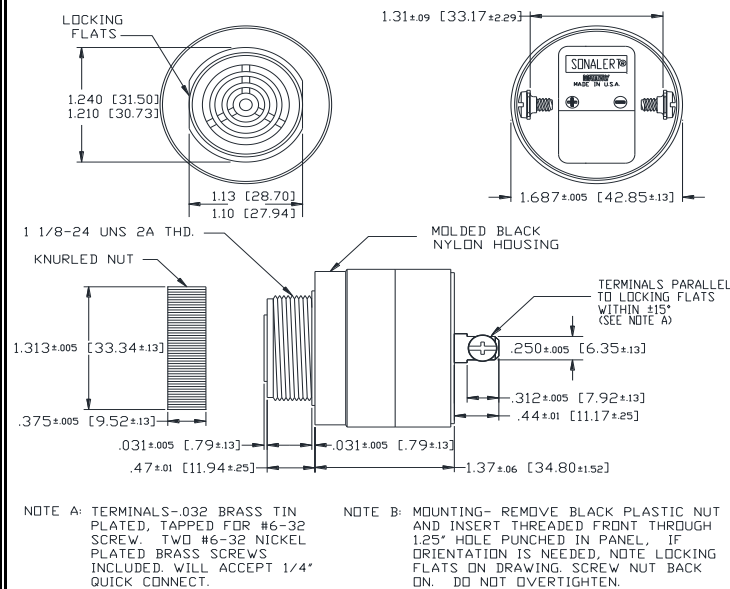
Specifications:

| | |
|-----------------------|--|
| Sound Level Category | Soft |
| Mode of Operation | Slow Pulse @ 0.5 - 2.5 PPS |
| Voltage Rating | 60 to 250 VAC/DC |
| Frequency | 2900 ± 500 Hz |
| Loudness @ 2 FT | 62 to 70 dB(A) Typ. |
| Loudness @ Min V | 55/65 dB(A) @ 2 Feet and 60 Vac/dc |
| Loudness @ Max V | 65/78 dB(A) @ 2 Feet and 250 Vac/dc |
| Current Draw | 4-14mA |
| Duty Cycle (%) | 50 |
| Housing Material | 6/6 Nylon, Color: Black |
| Storage Temperature | -40° to +85° C |
| Operating Temperature | -30° to +65° C |
| Panel Mounting | Recommended hole size is 1.25"(31.75mm). Thread front will fit standard 30mm(1.181") hole. |
| Knurled Nut | Used to attach part to panel. The max recommended torque is 10 in-lbs. |
| Weight (Typical) | 1.6 oz (45g) |
| NEMA 3R,4X, & 12 | Approved with use of ACC03. |
| Options | Please contact factory. |

Dimensions: Inches (mm)

PART DIMENSIONS BEFORE CODE DATE: 1452 5

PART DIMENSIONS AFTER CODE DATE: 1501 1



ROHS Compliant