

5

4

3

2

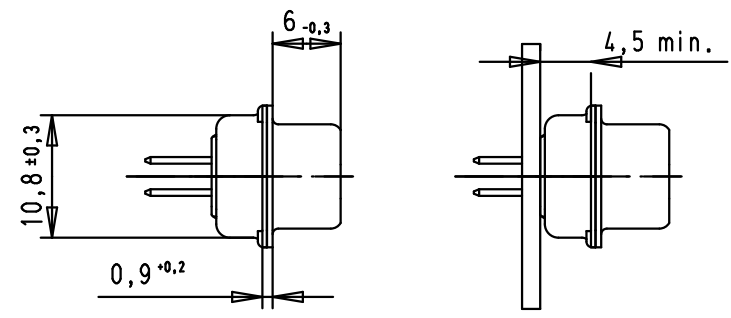
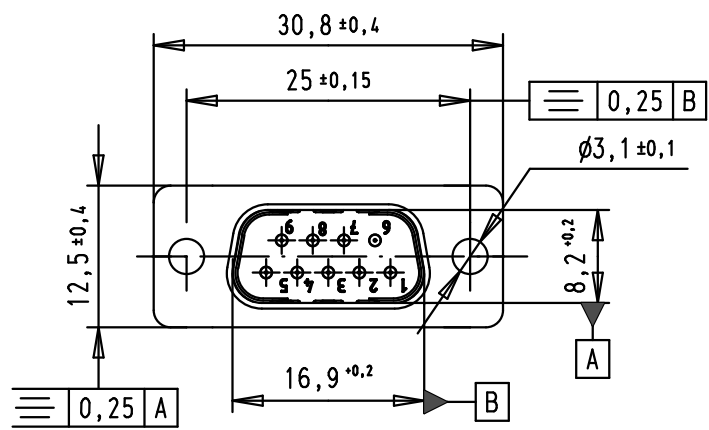
1

D

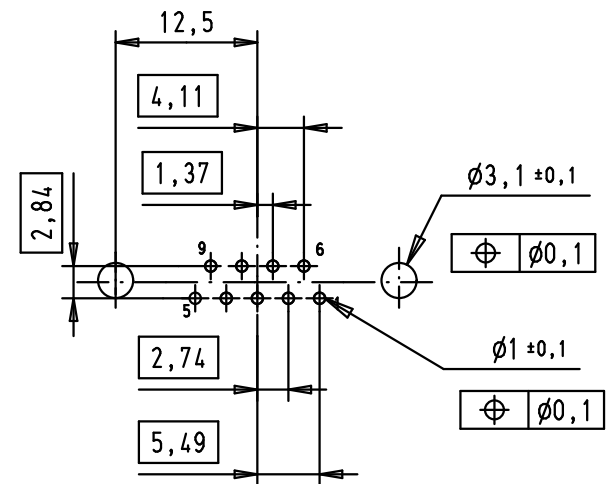
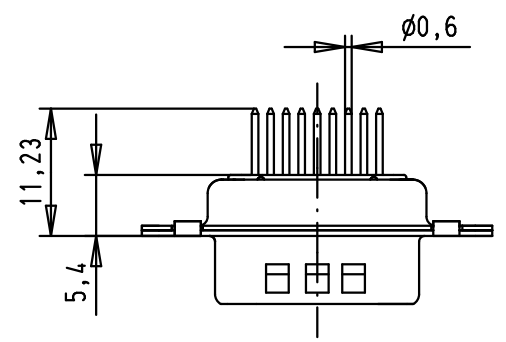
C

B

A



PCB Layout, Component side



SPECIFICATION

Performance level	PL2
Filter type	C
Capacitance	1000pf±20%
Working Voltage	100V
Current rating	7.5 A
Insulation Resistance	>1GΩ

Minimum Insertion Loss

FREQUENCY (MHz)	ATTENUATION dB
5	1dB
10	3dB
50	12dB
100	20dB
500	34dB
1000	30dB

Mod.	Dat.	Name	Detail.	Dat.	Name
				8-JUL-02	CV
36283	09/12/11	SD	Insp.	09/12/11	JB
32802	11/07/05	JMDR	Stand.		
32234	05/10/04	TR			
31058	8-JUL-02	CV			
			HARTING EURL F-95972 Paris		



All Dim. in mm
Orig. Size DIN A 4



D-Sub, male, straight,
9 Poles, with turned
solder pin and fixing hole

TB 09641227230

Sub.

Ma?Mstab/
Scale

1.5:1

Blatt/ Page

1 / 1