

# Molded Parts Specification Control Drawing

Part Number : 222K132 thru 185-XXXX  
Description : Boot, 90°, With Lip, Shielded

## NOTES

- All dimensions are in  $\frac{\text{inches}}{\text{[millimeters]}}$
- Dimensions appearing in table are as follows:
  - a - As Supplied
  - b - After Unrestricted Recovery
- Parts 222K174 and 222K185 are not available in -100S material
- If eyelet clip (000W212) is required with part then add CS-1858 to description (i.e. 202K121-3-0-CS-1858).

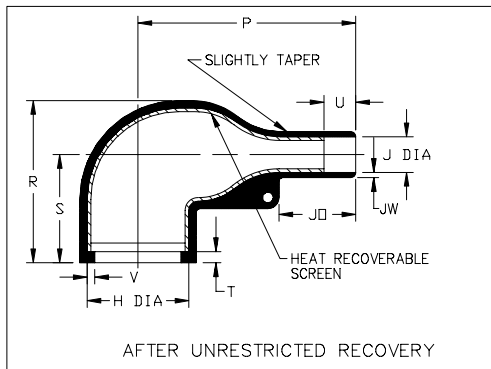
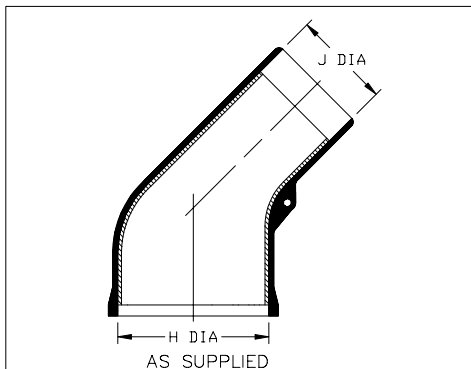


TABLE OF DIMENSIONS

PART NUMBER	H			J			P			R	S	T	U		V	JO		HW		JW	
	-3 Min a	-25,-100 Min a	Max b	-3 Min a	-25,-100 Min a	Max b	-3 Ref b	-25 Ref b	-100 Ref b	±10% b	Ref b	Ref b	-3,-25 ±20% b	-100 ±20% b	Ref b	-3,-25 ±10% b	-100 ±10% b	-3,-25 ±30% b	-100 ±30% b	-3,-25 ±30% b	-100 ±30% b
222K132	.94	.79	.56	.59	.51	.24	1.38	1.38	1.26	1.06	.79	.12	.30	.20	.04	.59	.31	.06	.08	.04	.03
	[24,0]	[20,0]	[14,2]	[15,0]	[13,0]	[6,0]	[35,0]	[35,0]	[32,0]	[27,0]	[20,0]	[3,0]	[7,5]	[5,0]	[1,0]	[15,0]	[8,0]	[1,5]	[2,0]	[1,0]	[0,8]
222K142	1.22	.98	.71	.71	.63	.28	1.54	1.46	1.46	1.22	.75	.12	.30	.30	.04	.59	.59	.07	.07	.04	.04
	[31,0]	[25,0]	[18,0]	[18,0]	[16,0]	[7,2]	[39,0]	[37,0]	[37,0]	[31,0]	[19,0]	[3,0]	[7,5]	[7,5]	[1,0]	[15,0]	[15,0]	[1,8]	[1,8]	[1,0]	[1,0]
222K152	1.42	1.18	.88	.87	.79	.33	1.81	1.65	1.65	1.50	.75	.12	.30	.30	.04	.59	.59	.07	.07	.04	.04
	[36,0]	[30,0]	[22,4]	[22,0]	[20,0]	[8,5]	[46,0]	[42,0]	[42,0]	[38,0]	[19,0]	[3,0]	[7,5]	[7,5]	[1,0]	[15,0]	[15,0]	[1,8]	[1,8]	[1,0]	[1,0]
222K163	1.69	1.50	1.11	1.02	.98	.39	2.17	2.17	2.17	1.77	.98	.12	.31	.31	.07	.63	.63	.08	.08	.04	.04
	[43,0]	[38,0]	[28,2]	[26,0]	[25,0]	[10,0]	[55,0]	[55,0]	[55,0]	[45,0]	[25,0]	[3,0]	[8,0]	[8,0]	[1,7]	[16,0]	[16,0]	[2,0]	[2,0]	[1,0]	[1,0]
222K174	1.85	1.77	1.38	1.42	1.30	.62	3.15	2.95	2.95	2.13	1.38	.12	.71	—	.07	1.18	—	.13	—	.06	—
	[47,0]	[45,0]	[35,1]	[36,0]	[33,0]	[15,8]	[80,0]	[75,0]	—	[54,0]	[35,0]	[3,0]	[18,0]	—	[1,7]	[30,0]	—	[3,3]	—	[1,5]	—
222K185	2.24	2.24	1.79	1.73	1.73	.62	4.25	4.25	4.25	2.68	1.65	.12	.79	—	.07	1.89	—	.13	—	.08	—
	[57,0]	[57,0]	[45,4]	[44,0]	[44,0]	[15,7]	[108,0]	[108,0]	—	[68,0]	[42,0]	[3,0]	[20,0]	—	[1,7]	[48,0]	—	[3,3]	—	[2,0]	—



TYCO ELECTRONICS  
300 CONSTITUTION DRIVE  
MENLO PARK, CALIFORNIA 94025

Revision : K  
Date : 3/03/03

Part Number : 222K132 thru 185-XXXX  
Description : Boot, 90°, With Lip, Shielded

# Molded Parts Specification Control Drawing

Part Number : 222K132 thru 185-XXXX  
Description : Boot, 90°, With Lip, Shielded

MATERIAL DASH NO.	MATERIAL DESCRIPTION	RT SPEC	COATING SLASH NO.	COATING S NO.	COATING DESCRIPTION
-3S	Polyolefin/Copper Composite	RT-1370			
-25S	Elastomer, Fluid Resistant/Copper Composite	RT-1371			
-100S	Zerohal/Copper Composite				

If this document is printed it becomes uncontrolled.  
Check for the latest revision.

## ORDERING INFORMATION

222K1XX -XXX -XX /XXX

Base part number \_\_\_\_\_

Material dash number \_\_\_\_\_  
(See Compatibility Chart)

Modification number \_\_\_\_\_  
(If necessary, see front of scd binder for a complete list)

Adhesive slash number \_\_\_\_\_  
(If necessary, see Compatibility Chart)

THIS DRAWING IS SUBJECT TO CHANGE WITHOUT NOTICE; CONSULT YOUR NEAREST FIELD REPRESENTATIVE FOR CURRENT REVISION



TYCO ELECTRONICS  
300 CONSTITUTION DRIVE  
MENLO PARK, CALIFORNIA 94025

Revision : K  
Date : 3/03/03

Part Number : 222K132 thru 185-XXXX  
Description : Boot, 90°, With Lip, Shielded