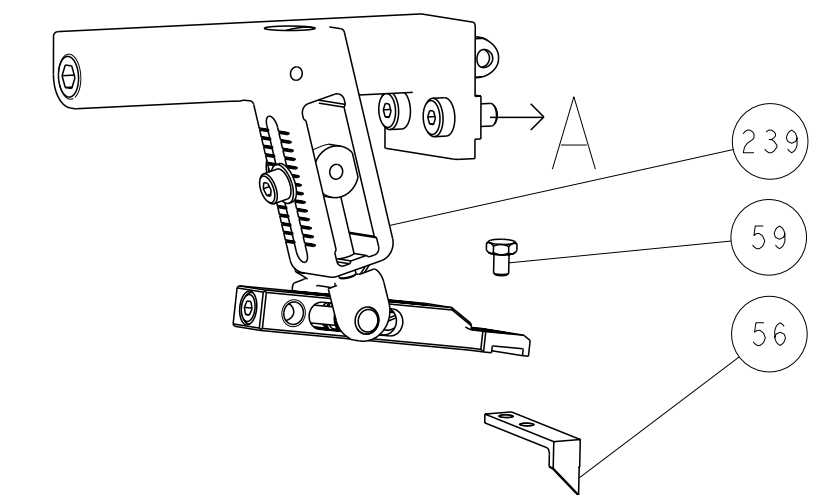
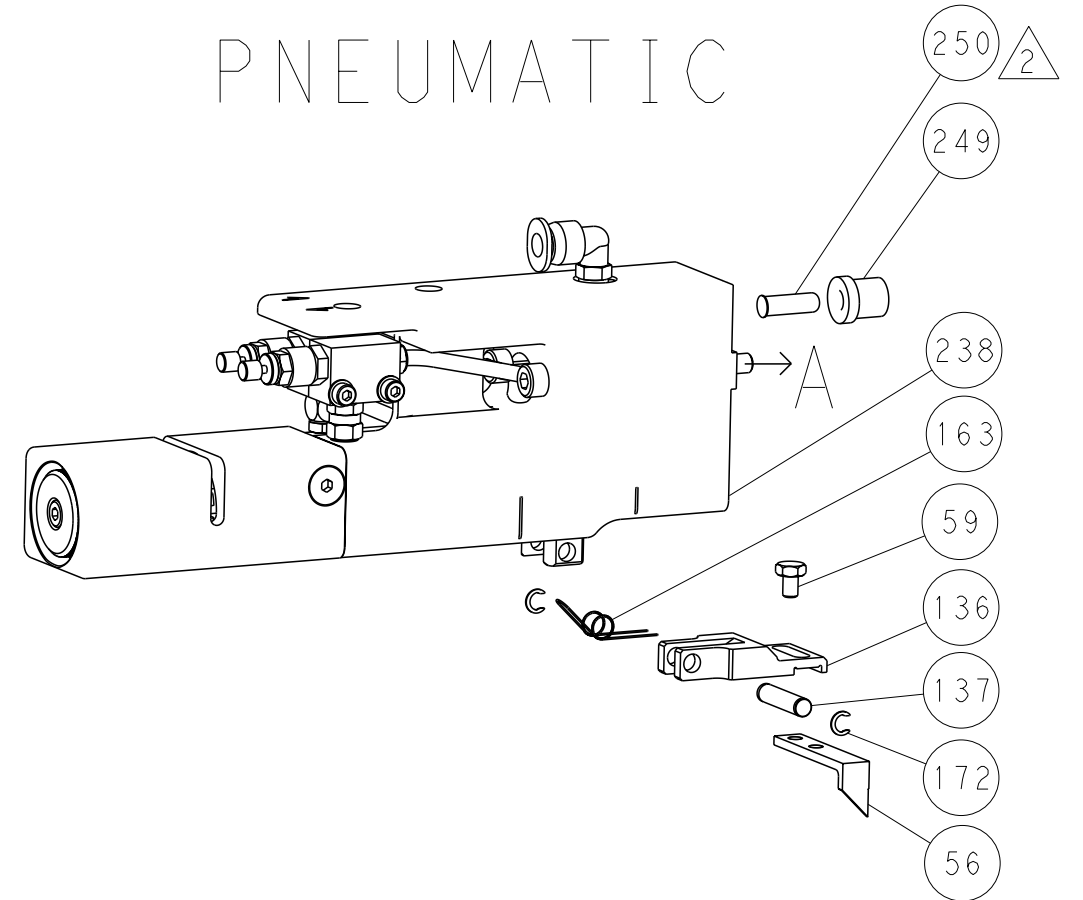


LOC	DIST	REV	DATE	DESCRIPTION	DATE	DWN	APVD
A	66			SEE SHEET 1			

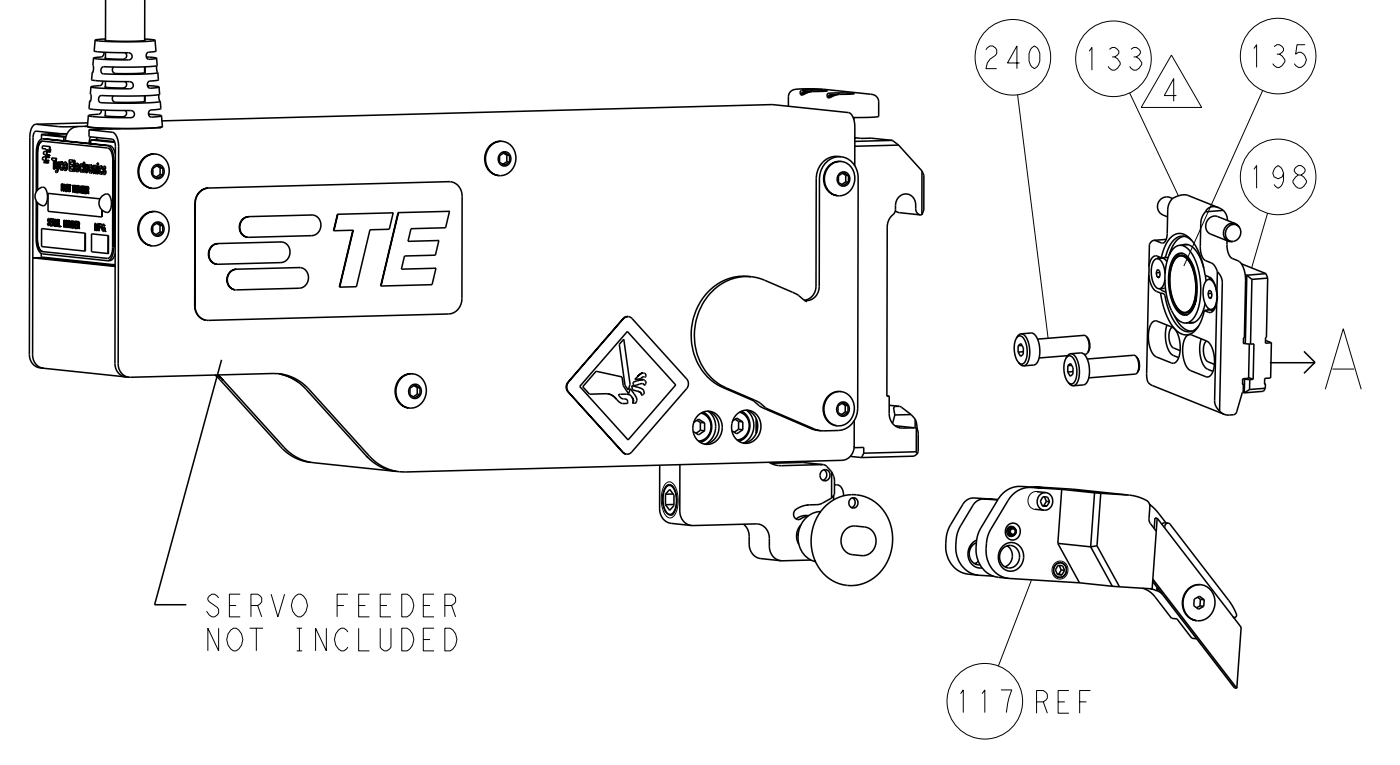
FEED TYPE MECHANICAL



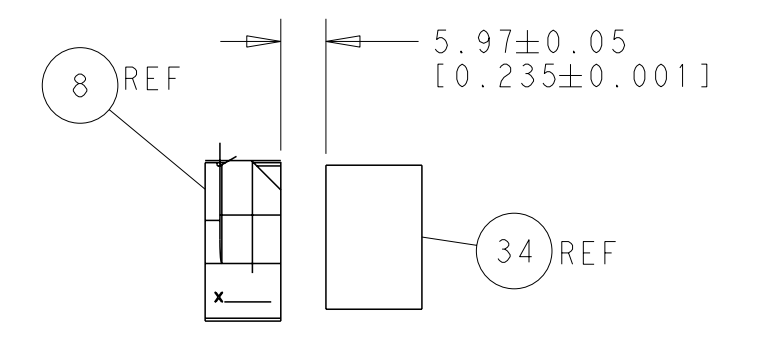
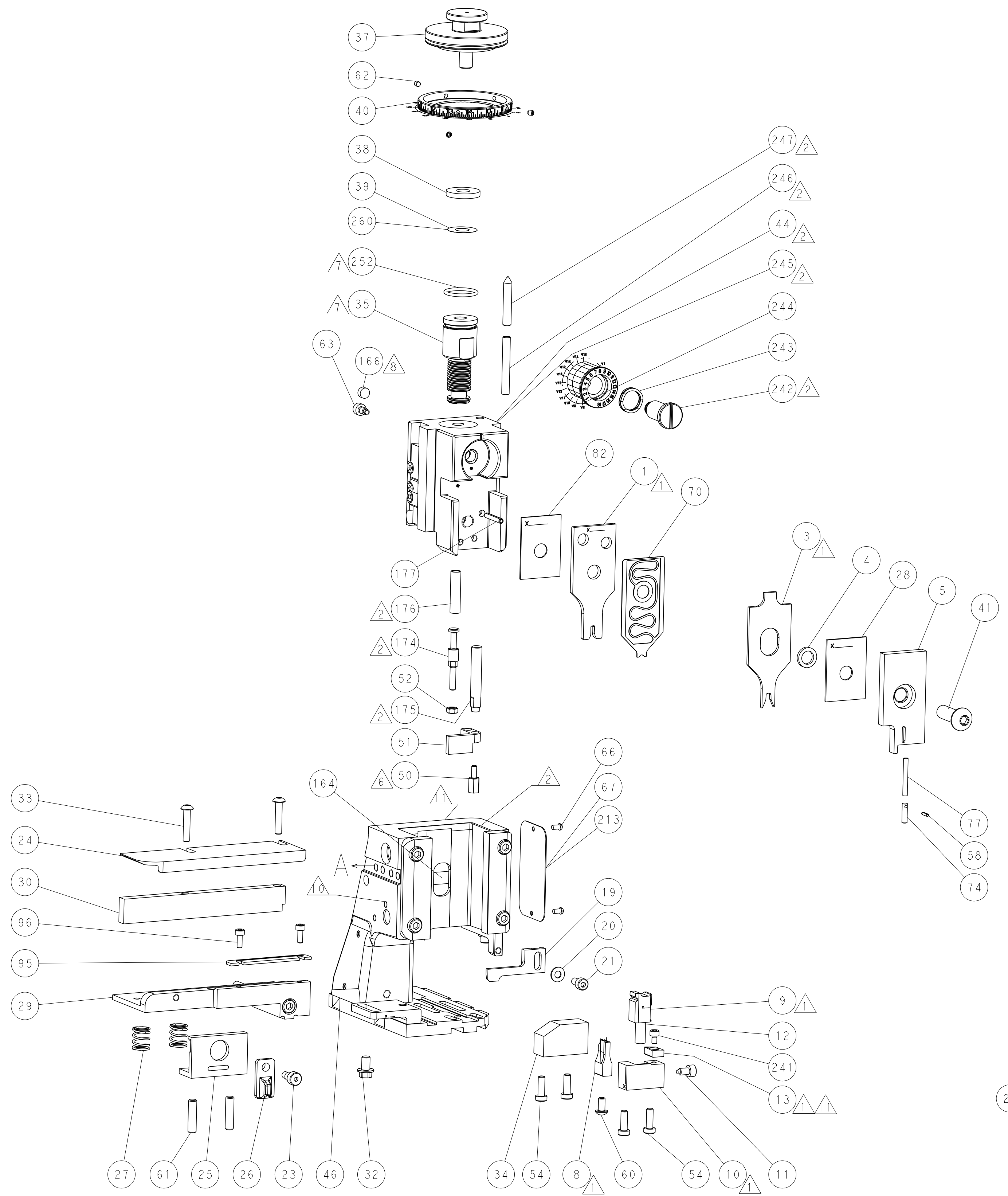
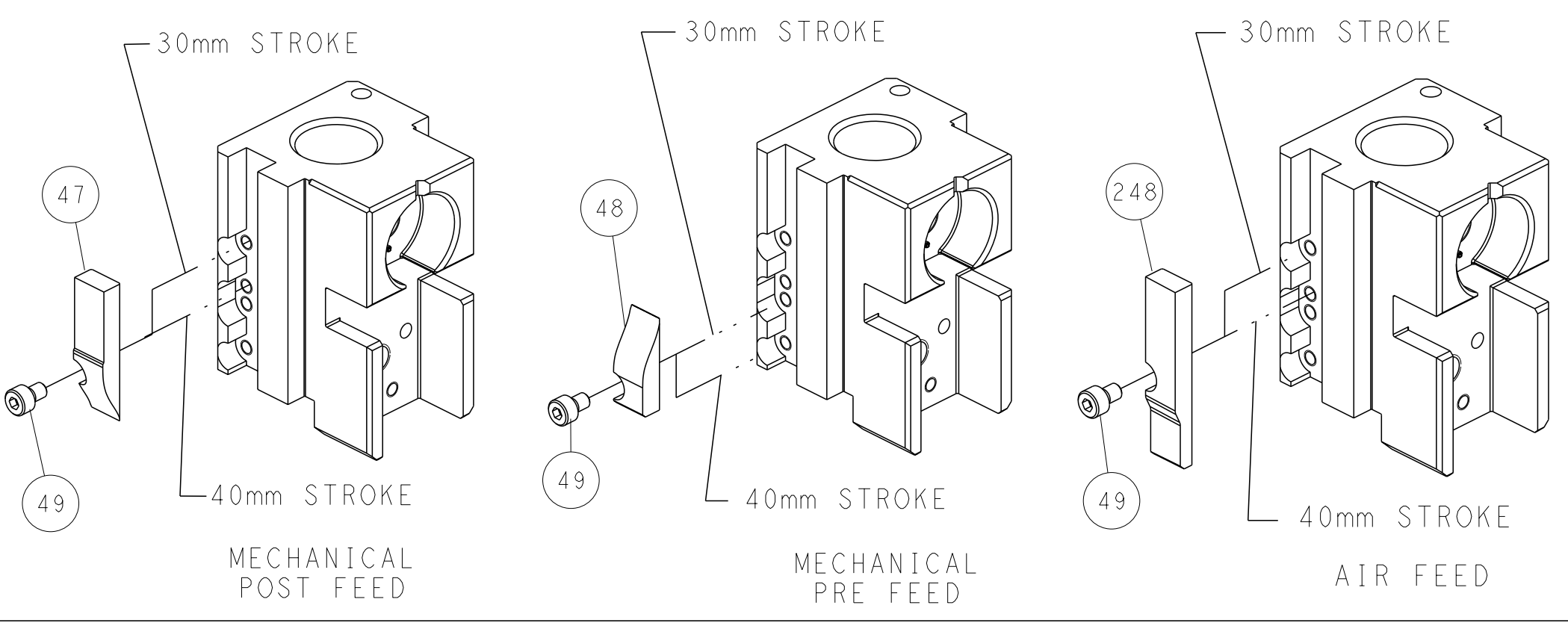
PNEUMATIC



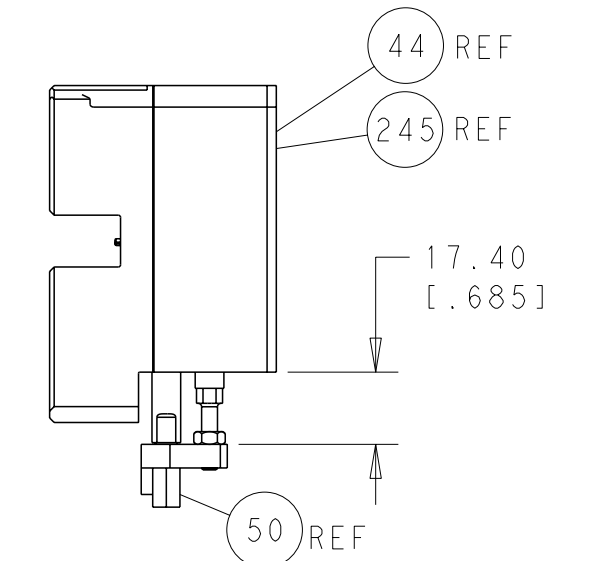
SERVO LATCH PLATE



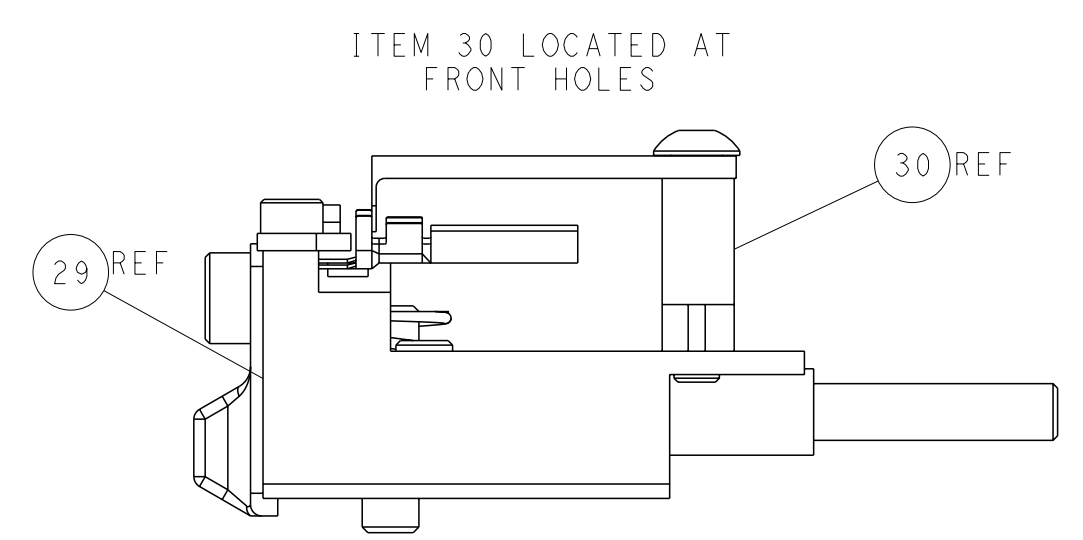
CAM POSITIONS



TERMINAL SUPPORT LOCATION



HOLDDOWN SET-UP



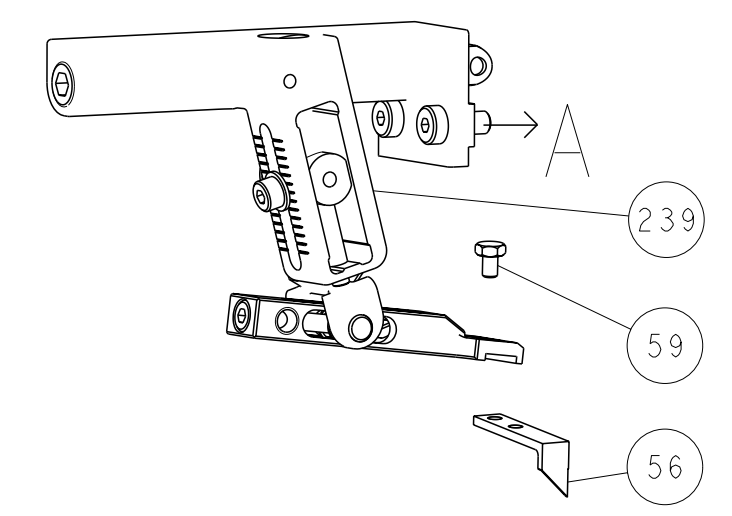
FEED TRACK POSITION GUIDE BY INSULATION BARREL

ATLANTIC VERSION
 Shown on sheets 1 of 4 & 2 of 4
 (Pacific version shown on sheets 3 of 4 & 4 of 4)

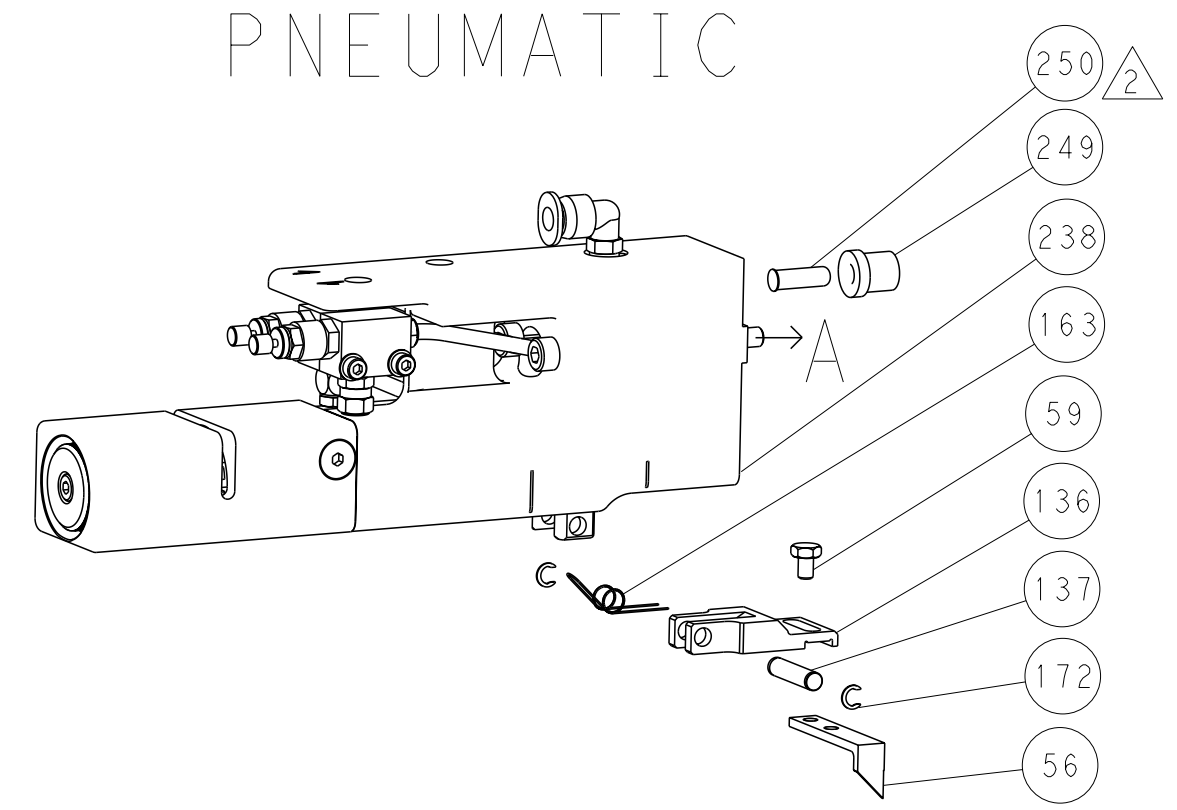
DIMENSIONS: mm 		TOLERANCES UNLESS OTHERWISE SPECIFIED: 9 PLC ±.5 1 PLC ±0.13 3 PLC ±0.13 4 PLC ±0.001 ANGLES ±.0001		DWN L. ZHANG 25AUG2011 CHK L. ZHANG 25AUG2011 APVD L. ZHANG 25AUG2011		NAME Ocean Side Feed Applicator	
MATERIAL:		FINISH:		WEIGHT:		SIZE CAGE CODE DRAWING NO. RESTRICTED TO A1 00779 C-2151000	
CUSTOMER ACCESSIBLE PRODUCTION DRAWING				SCALE 1:2		SHEET 2 OF 4 REV A1	

LOC	DIST	REV	DATE	BY	APPV
A	66				

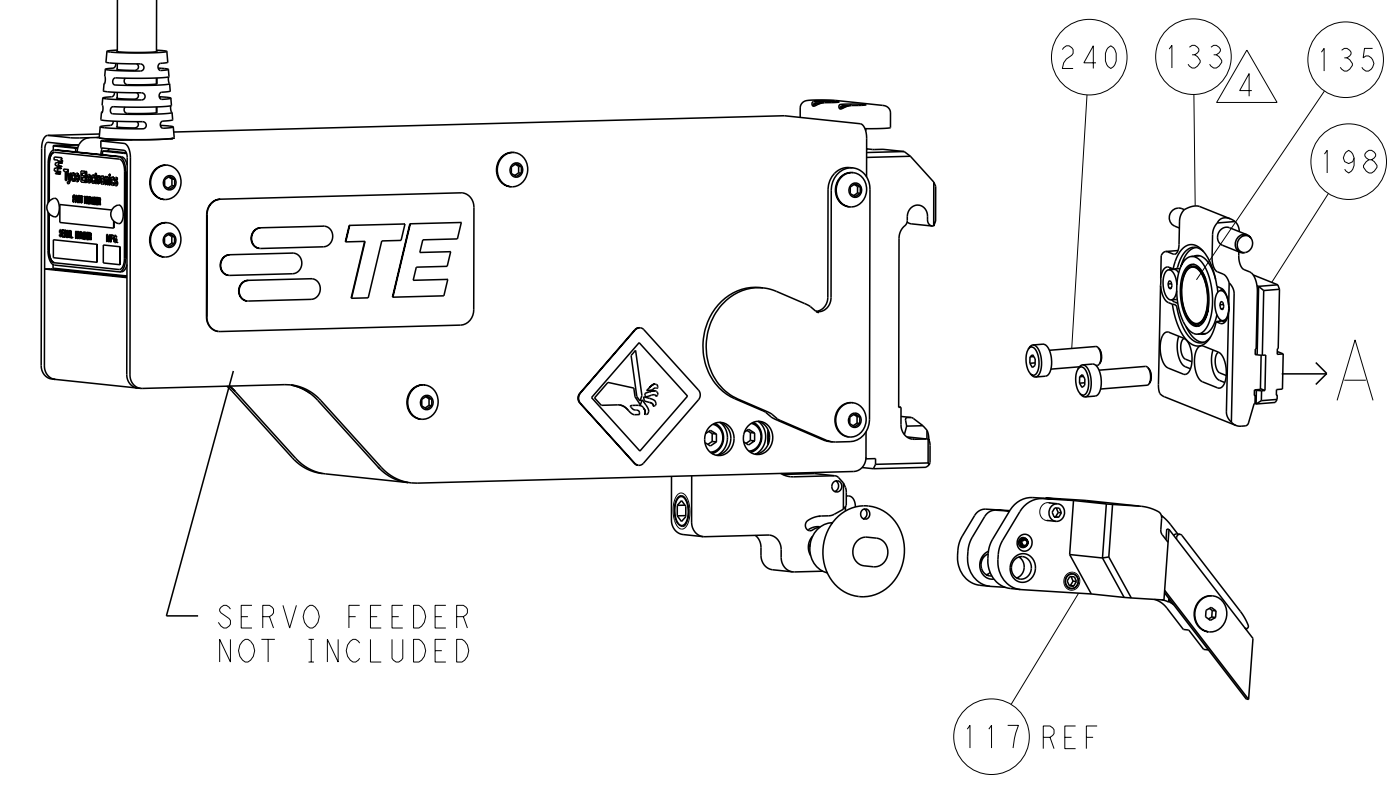
FEED TYPE MECHANICAL



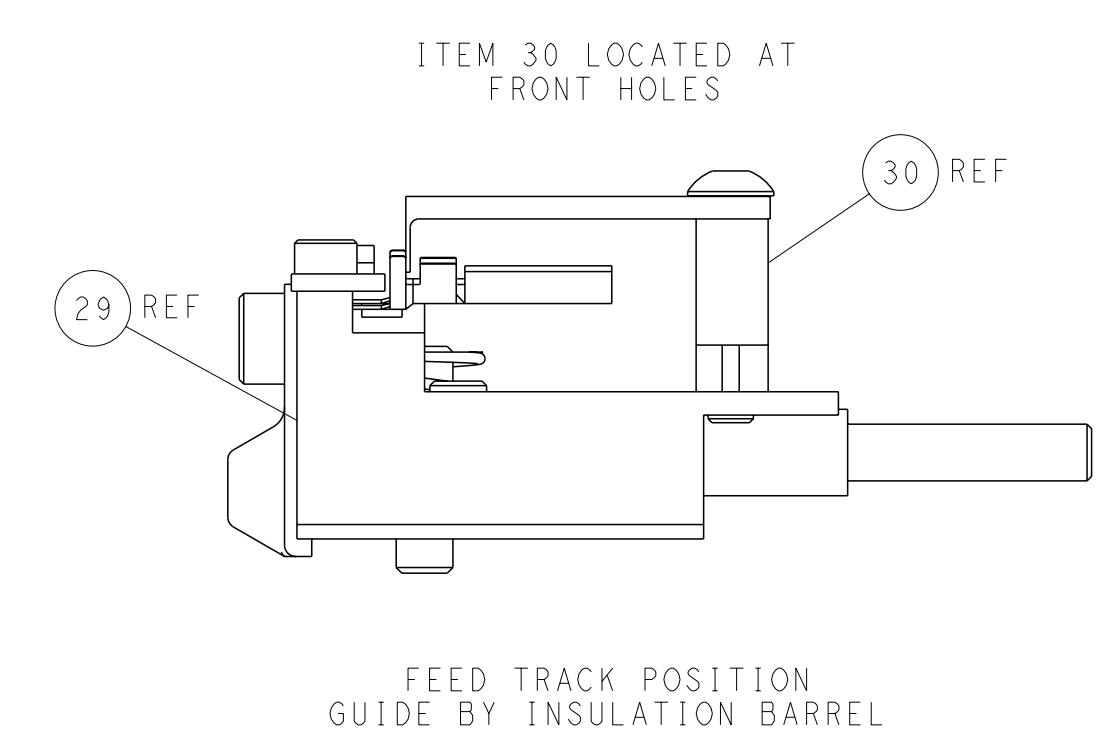
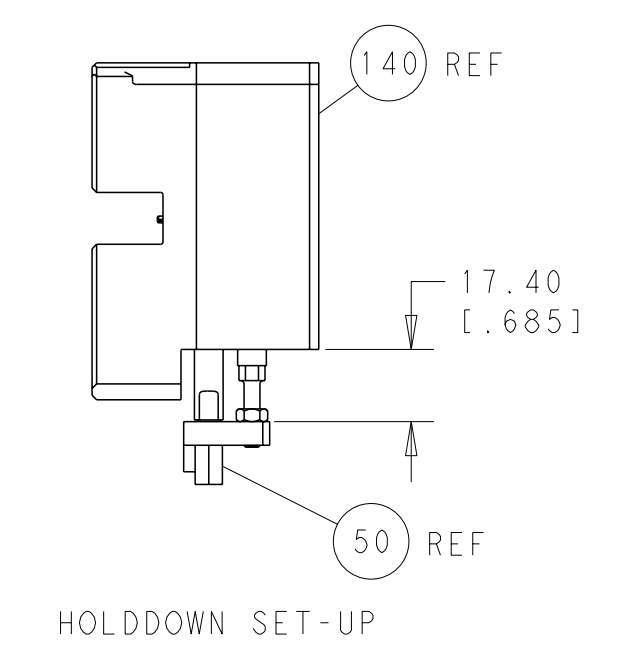
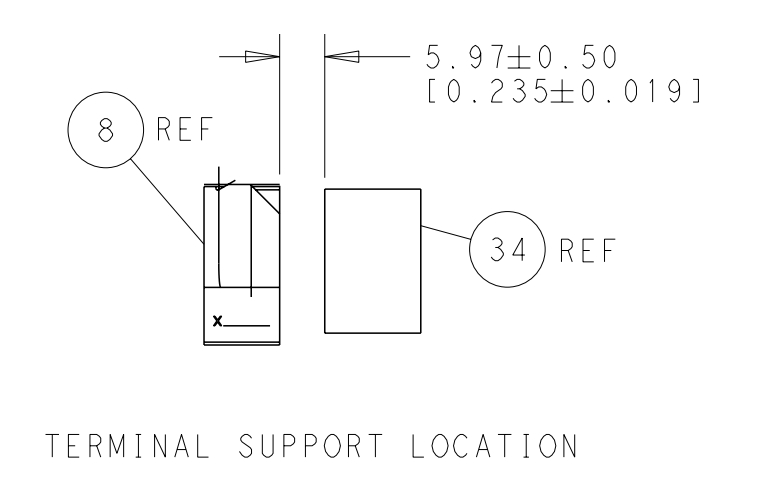
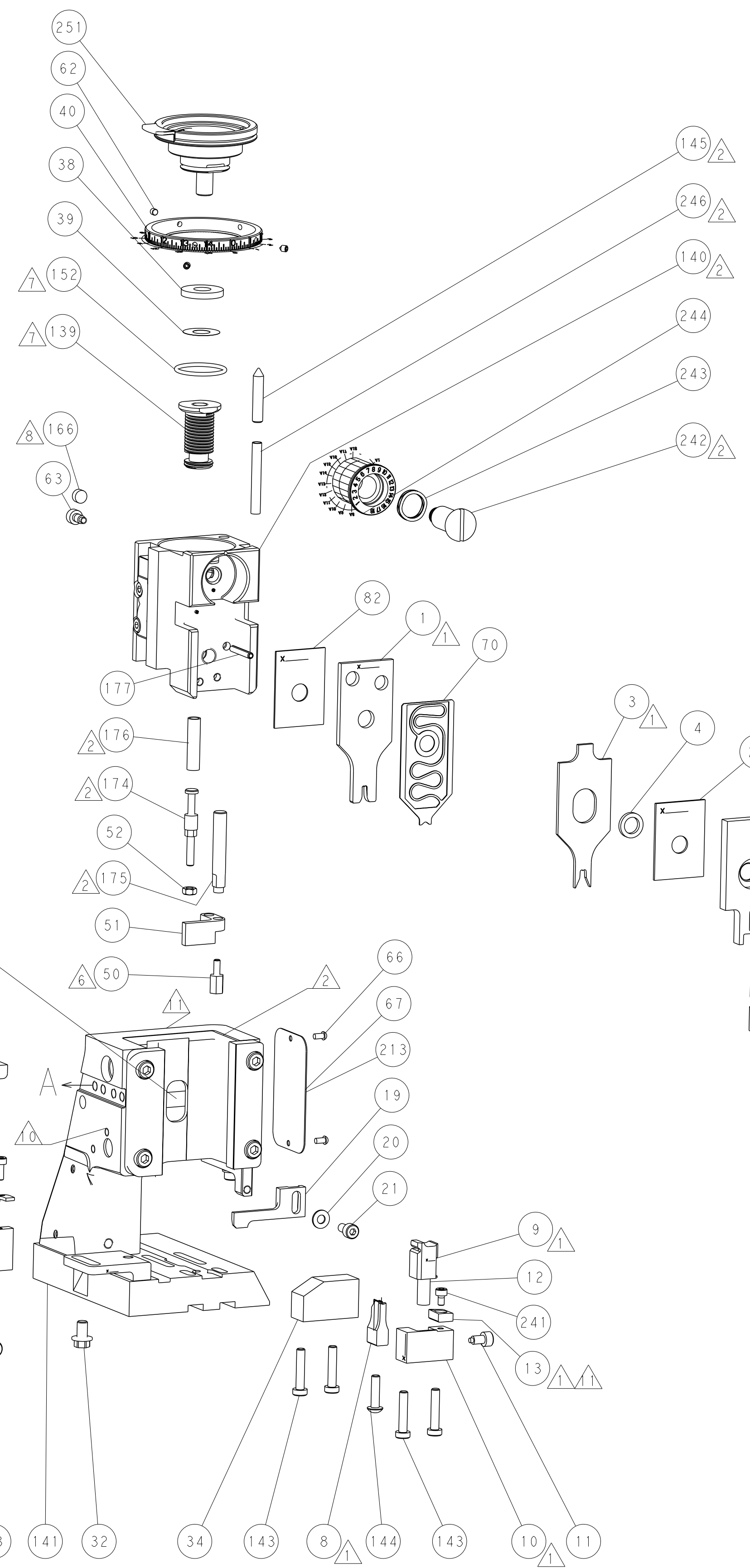
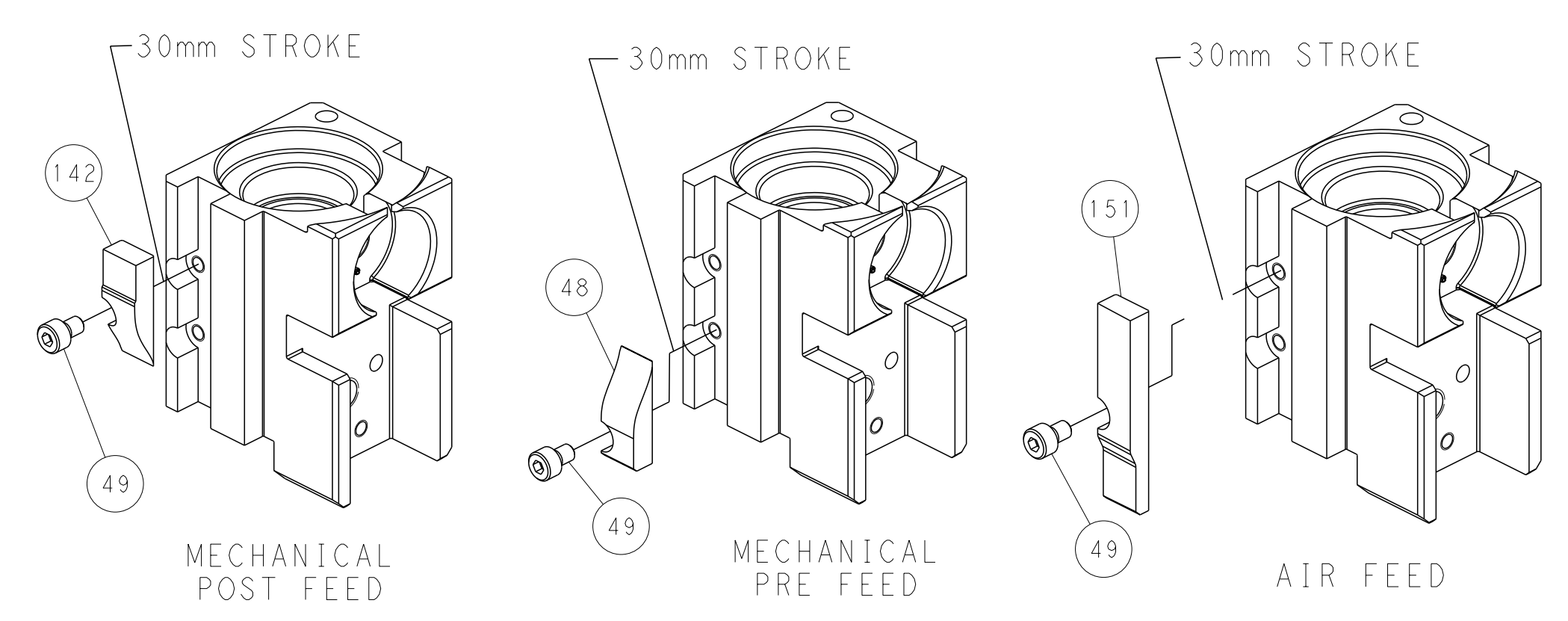
PNEUMATIC



SERVO LATCH PLATE



CAM POSITIONS



PACIFIC VERSION
 Shown on sheets 3 of 4 & 4 of 4
 (Atlantic version shown on sheets 1 of 4 & 2 of 4)

DIMENSIONS: mm 		TOLERANCES UNLESS OTHERWISE SPECIFIED: 9 PLC ±.5 1 PLC ±0.5 2 PLC ±0.13 3 PLC ±0.013 4 PLC ±0.001 ANGLES ±.001 FINISH		DWN L. ZHANG 25AUG2011 CHK L. ZHANG 25AUG2011 APVD S. LI 25AUG2011 NAME Ocean Side Feed Applicator SIZE CAGE CODE DRAWING NO. RESTRICTED TO A1 00779 C-2151000 CUSTOMER ACCESSIBLE PRODUCTION DRAWING SCALE 1:2 SHEET 4 OF 4 REV A1	
MATERIAL:		FINISH:		WEIGHT:	