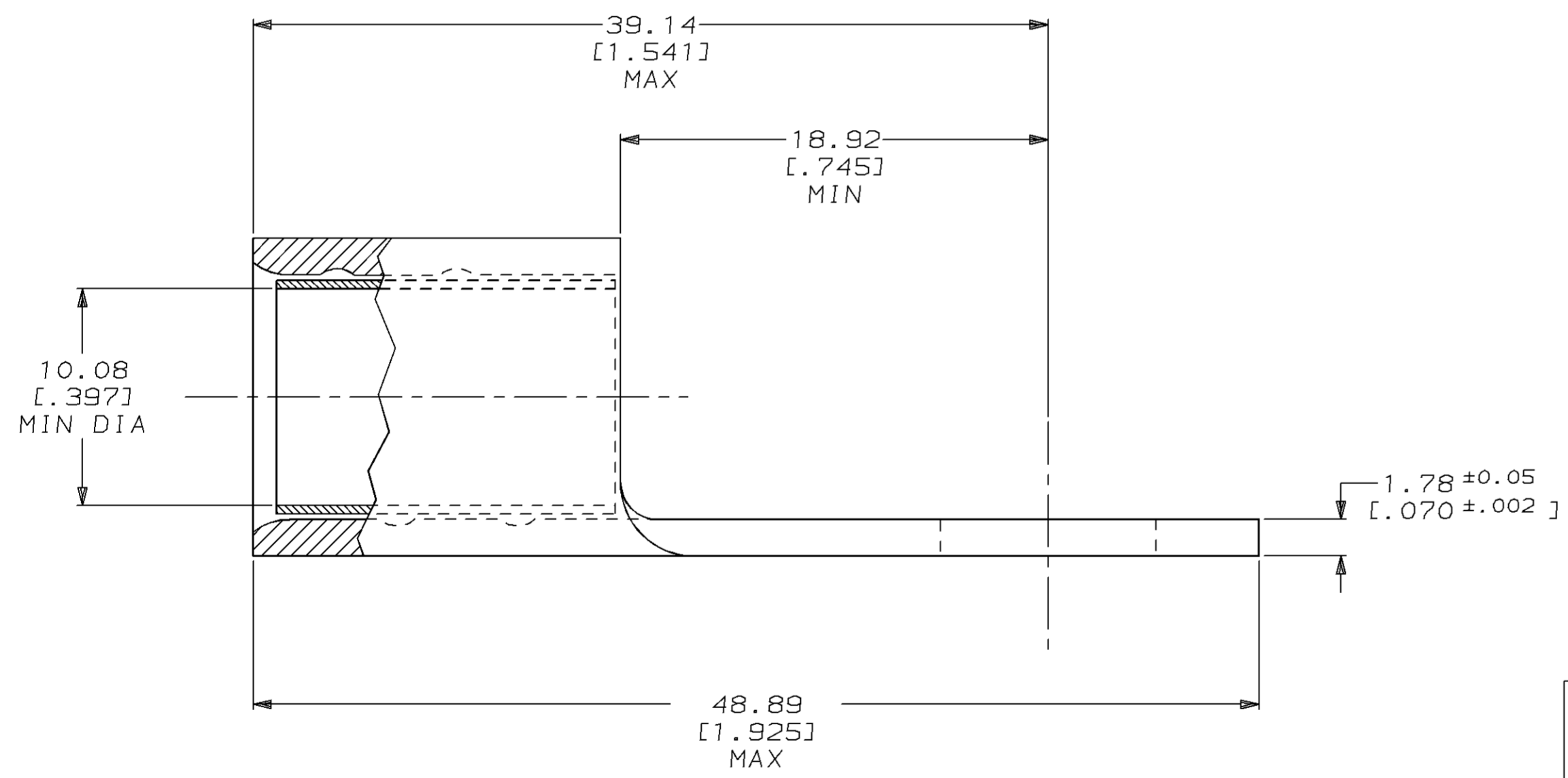
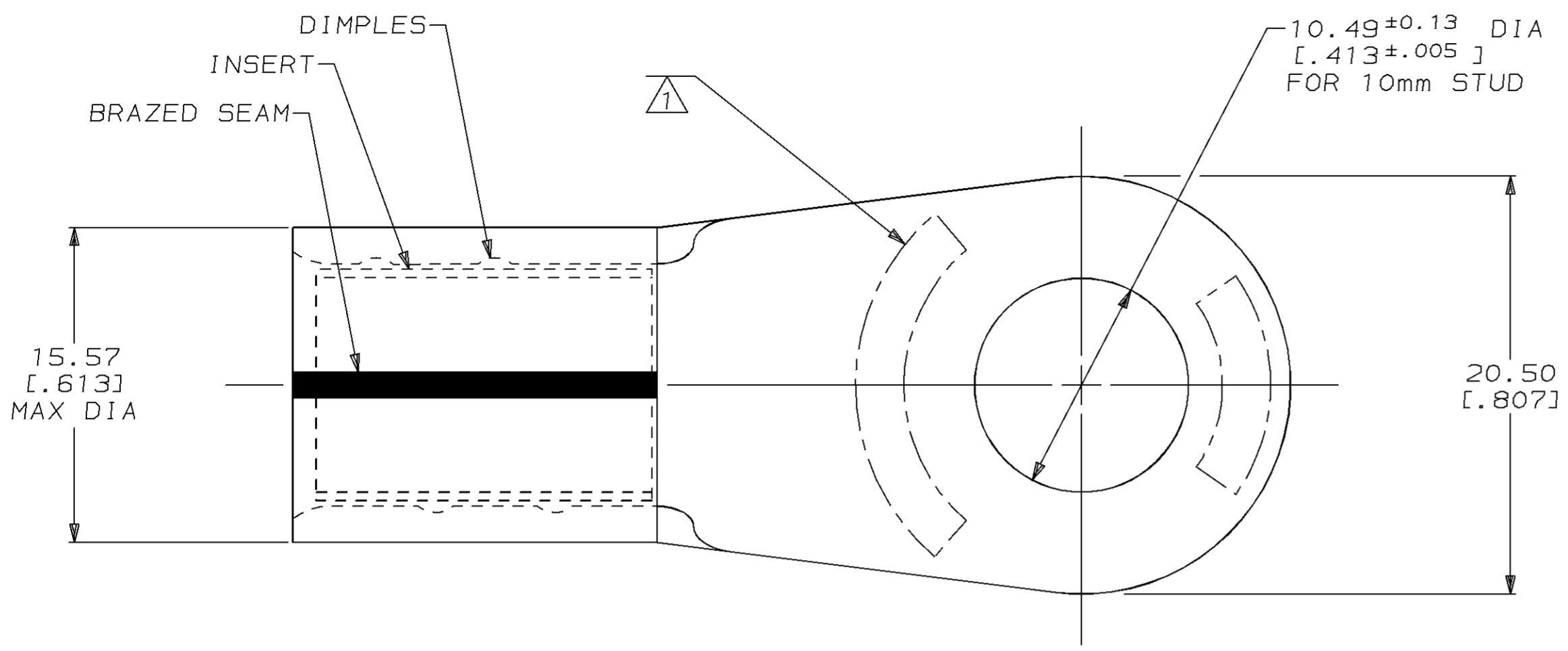


THIS DRAWING IS UNPUBLISHED. RELEASED FOR PUBLICATION, 19 .  
 © COPYRIGHT 19 BY AMP INCORPORATED. ALL INTERNATIONAL RIGHTS RESERVED.

| LOC |  | DIST |  | P |  | F |  | ZONE |  | LTR |  | REVISIONS                |  | DATE    | APPD    |
|-----|--|------|--|---|--|---|--|------|--|-----|--|--------------------------|--|---------|---------|
| G   |  | 86   |  |   |  |   |  |      |  |     |  | 0 RELEASED PER PR 94-116 |  | 19JUL94 | OKS AJK |

**METRIC**  
 DIMENSIONS LISTED IN mm [ INCHES ]



|   |          |
|---|----------|
| <b>BODY:</b> COPPER PER ASTM B-152<br>TIN PLATE 0.00254[0.000100] MIN THK PER MIL-T-10727   | 184087-1 |
| <b>INSERT:</b> COPPER PER ASTM B-152<br>TIN PLATE 0.00254[0.000100] MIN THK PER MIL-T-10727 |          |
| MATERIAL & FINISH   |          |
| PART NO   |          |

**AMP INCORPORATED**  
 CUSTOMER SERVICE SYSTEMS

MAX RECOMMENDED OPERATING TEMPERATURE:  
 170°C MAX

DO NOT SCALE PRINT.  
 UNLESS SPECIFIED  
 DIMENSIONS IN mm [INCHES]  
 TOLERANCES ON:  
 2 PLC DEC ± -  
 3 PLC DEC ± -  
 ANGLES ± -

DR 19JUL94  
 DK SCHRUM  
 CHK 20JUL94  
 AJ KAUFMAN  
 APPD 20JUL94  
 RE ROSER  
 APPD 20JUL94  
 JL MECKLEY  
 PRODUCT SPEC  
 -

**AMP** AMP Incorporated  
 Harrisburg, PA 17105-3608

FOR ADDITIONAL PRODUCT INFORMATION OR COPIES OF DRAWINGS AND TECHNICAL DOCUMENTS

PRODUCT INFORMATION CENTER  
 1-800-522-6752

VOLTAGE RATING:  
 NOT APPLICABLE

MATERIAL  
 SEE TABLE

FINISH  
 SEE TABLE

NAME  
 TERMINAL, RING TONGUE, COPALUM™, STRANDED/SOLID, WIRE SIZE: 1/0 AL-CU

FOR APPLICATION TOOLING INFORMATION

TOOLING ASSISTANCE CENTER  
 1-800-722-1111

WIRE CROSS SECTIONAL AREA RANGE:  
 42.4-60.6mm² [83,700-119,500] CIR MILS  
 SOLID OR STRANDED

SEE TABLE

APPLICATION SPEC  
 -

SIZE CAGE CODE DRAWING NO  
 C 00779 C=184087

FOR ORDER ENTRY

1-800-526-5142

THIS DRAWING IS A CONTROLLED DOCUMENT FOR AMP INCORPORATED. IT IS SUBJECT TO CHANGE AND THE CONTROLLING ENGINEERING ORGANIZATION SHOULD BE CONTACTED FOR THE LATEST REVISION.

SEE TABLE

WEIGHT -

SCALE 4:1 SHEET 1 OF 1