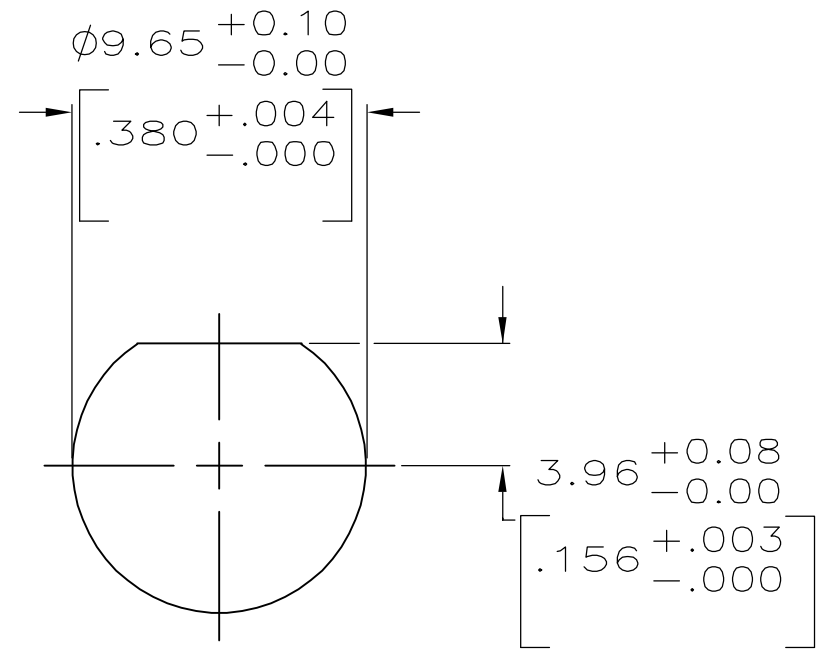
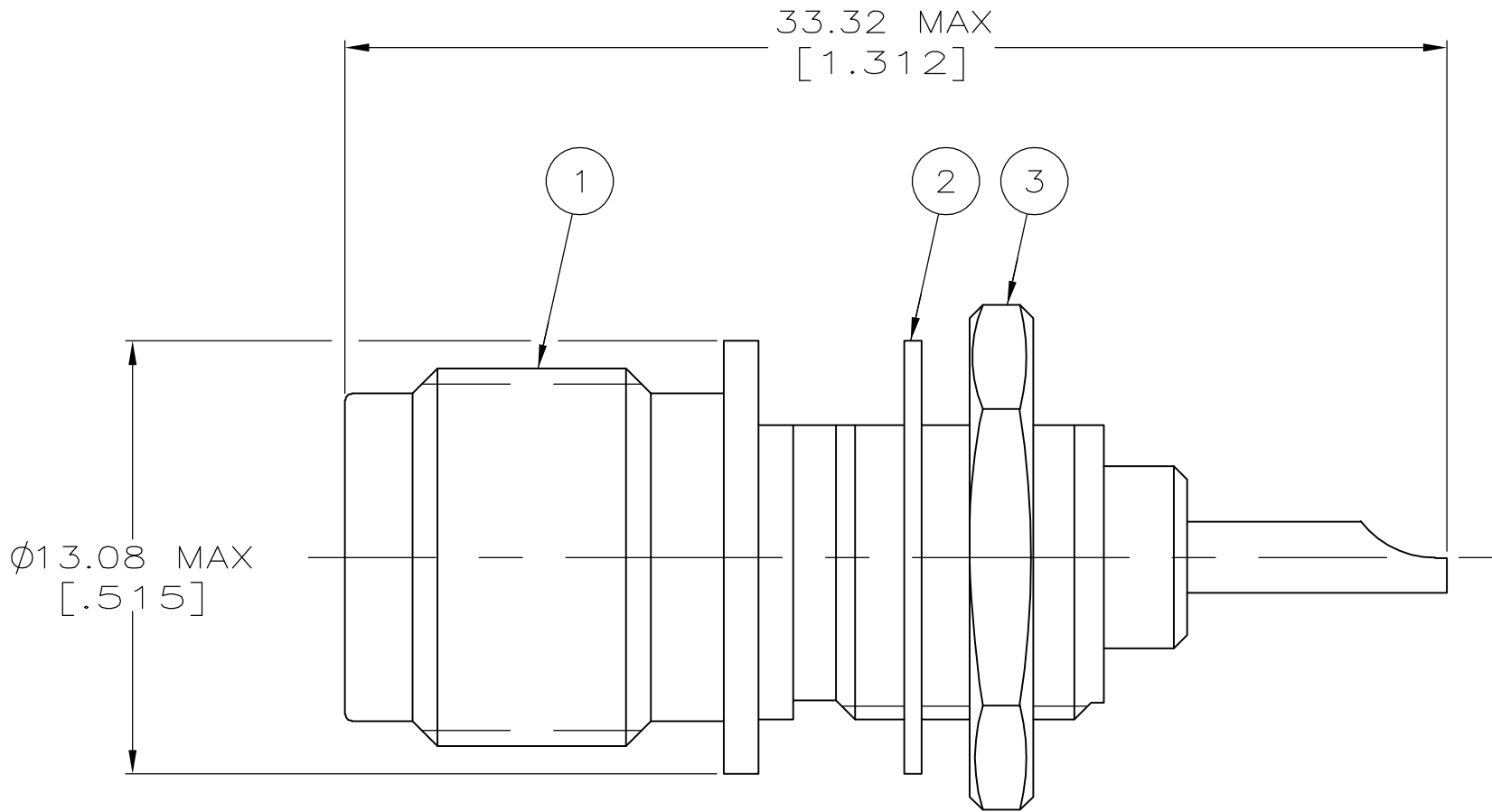


THIS DRAWING IS UNPUBLISHED. RELEASED FOR PUBLICATION
 © COPYRIGHT BY TYCO ELECTRONICS CORPORATION. ALL RIGHTS RESERVED.

LOC	DIST	REVISIONS					
AJ	16	P	LTR	DESCRIPTION	DATE	DWN	APVD
			A	REVISED PER EC 0S14-0150-05	10OCT2005	REH	JL

1. 6.35 [.250] MAXIMUM PANEL THICKNESS.



RECOMMENDED PANEL CUTOUT
 SCALE 4:1

1-330249-1	1-329429-1	227765-2	5227764-2
③ JAM NUT QTY=1	② LOCKWASHER QTY=1	① JACK ASSY QTY=1	PART NUMBER

THIS DRAWING IS A CONTROLLED DOCUMENT.		DWN A. FERNANDEZ-DOCK5 18APR2005	Tyco Electronics Corporation Harrisburg, PA 17105-3608	
DIMENSIONS: mm [INCHES]	TOLERANCES UNLESS OTHERWISE SPECIFIED:	CHK J. HAVENER 18APR2005	NAME JACK, SOLDER RECEPTACLE, SERIES TNC	
	0 PLC ± -	APVD J. LIPPERT 18APR2005	PRODUCT SPEC	RESTRICTED TO
	1 PLC ± -	PRODUCT SPEC	APPLICATION SPEC	
MATERIAL	FINISH	WEIGHT	SIZE A3	CAGE CODE 00779
			DRAWING NO G-5227764	REV A
CUSTOMER DRAWING			SCALE 5:1	SHEET 1 OF 1