

EZ-BT™ MODULE ARDUINO EVALUATION BOARD

CYBT-343026-EVAL



The EZ-BT Module Arduino Evaluation Board (CYBT-343026-EVAL) enables you to evaluate and develop applications on the EZ-BT WICED Module, CYBT-343026-01. CYBT-343026-EVAL can be used as a standalone evaluation kit or can be combined with Arduino compatible shields.

The CYBT-343026-01 WICED Module is a fully integrated, fully certified, 12.0 mm x 15.5 mm x 1.95 mm, programmable, Bluetooth® Smart Ready module designed to reduce your time-to-market.

For more information, visit:

www.cypress.com/EZ-BLEModule - EZ-BLE Module home pages

www.cypress.com/EZ-Serial - EZ-Serial Bluetooth Firmware Platform page

www.cypress.com/WICED - WICED Platform page

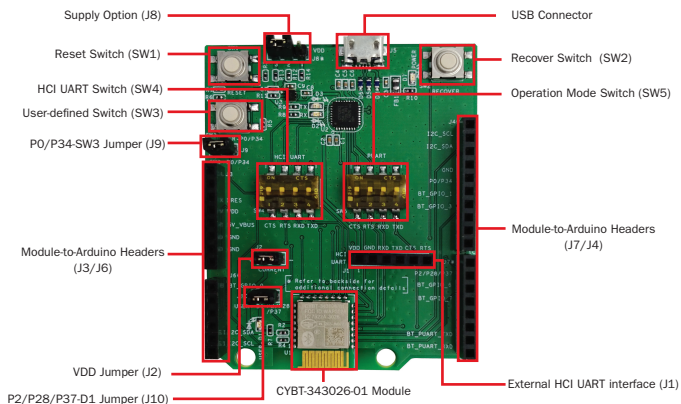


Figure 1: CYBT-343026-EVAL Top View

To use the CYBT-343026-EVAL:

- 1) Configure the evaluation board headers/switches to the desired settings
- 2) Connect the evaluation board to a PC via a USB cable
- 3) Refer to KBA221025 for platform files, Makefile target generation, and HCI UART switch position setting for programming
- 4) Open the WICED Studio IDE, develop your application, program and test

The Arduino compatible headers (J3/J4/J6/J7) are optional connections, which provide additional I/O connections to the module and allow for other Arduino shields to be used during development.

EZ-BT™ MODULE ARDUINO EVALUATION BOARD

CYBT-343026-EVAL

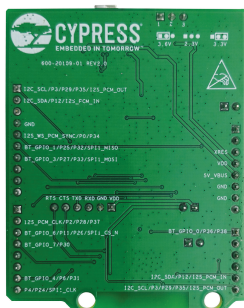


Figure 2: CYBT-343026-EVAL Bottom View

SW1: Reset Switch routed to the XRES connection on the module.

SW2: Recover Switch routed to the SPI2_MOSI connection on the module.

SW3: User-defined Switch routed to the P0/P34 connection on the module via J9.

SW4: Switch connecting HCI UART connections on the module to host via USB.

SW5: Switch connecting PUART connections on the module to host via USB.

J1: Connection for external interface for direct HCI UART communication.

J2: Used for power supply current measurement.

J3/J4/J6/J7: Arduino-compatible headers used with an Arduino compatible shield.

J8: Configures the VDD voltage input to the module as shown in the below table:

J8 Jumper Configuration	VDD Voltage Level
Short 1 & 2	3.6V
Short 2 & 3	3.3V
No Jumper	2.3V

J9: Connects the P0/P34 pad on the module to SW3.

J10: Connects the P2/P28/P37 pad on the module to LED D1.

The EZ-BT WICED Module is qualified for the Bluetooth 5 specification and is certified for the 2.4 GHz unlicensed frequency range in USA (FCC), Canada (ISED), Europe (CE) and Japan (MIC).

Visit www.cypress.com/support for technical support.