

REMARK:

1.CHARACTERISTICS:

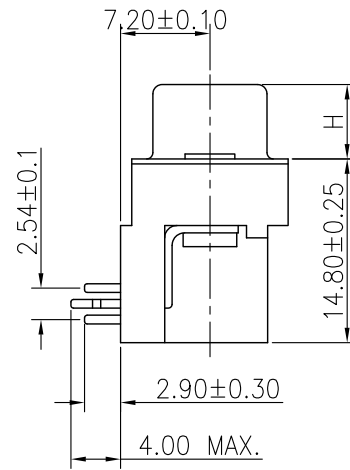
RATED VOLTAGE: 250V  
 RATED CURRENT: 5AMP  
 CONTACT RESISTANCE: 25mohms MAX.INITIAL;40mohmsMAX.AFTER.  
 INSULATION RESISTANCE: 5000Mohms MIN.at 500V DC  
 DIELECTRIC STRENGTH: 1000Vrms  
 OPERATING TEMPERATURE RANGE: -55°C~105°C  
 INSERTION/EXTRACTION FORCE PER CONTACT :5N Max./0.3N Min.  
 MATING/UNMATING CYCLES :50MATINGS MIN.

2.MATERIAL:

INSULATORS: GLASS-FILLED THERMOPLASTIC UL94V-0, COLOR IN BLACK.  
 CONTACTS: COPPER ALLOY, SELECTIVE GOLD ON CONTACT AREA,  
 100u" Min MATTE TIN TOP OVER SOLDER AREA,  
 30u" Min NICKEL UNDER PLATE.  
 SHELL: STEEL, 100u" Min NICKEL TOP OVER,  
 50u" Min COPPER UNDER PLATE.  
 BOARD LOCK :COPPER ALLOY,100u" Min MATTE TIN PLATED.

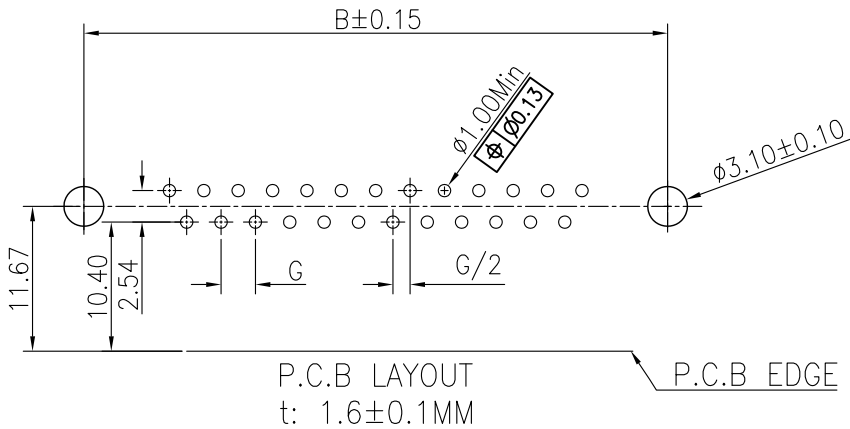
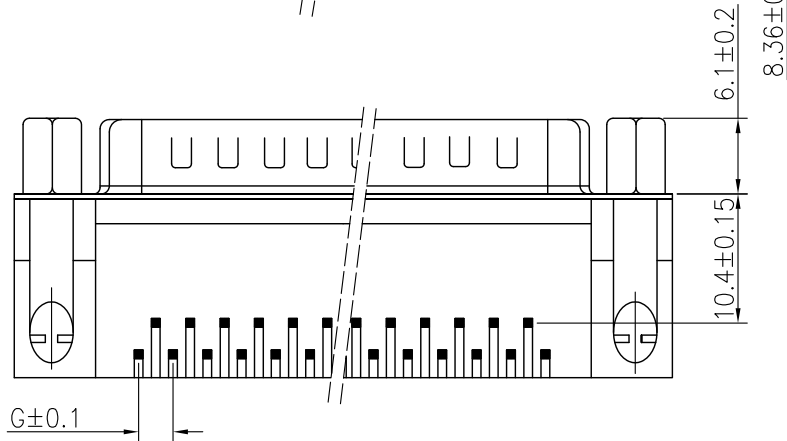
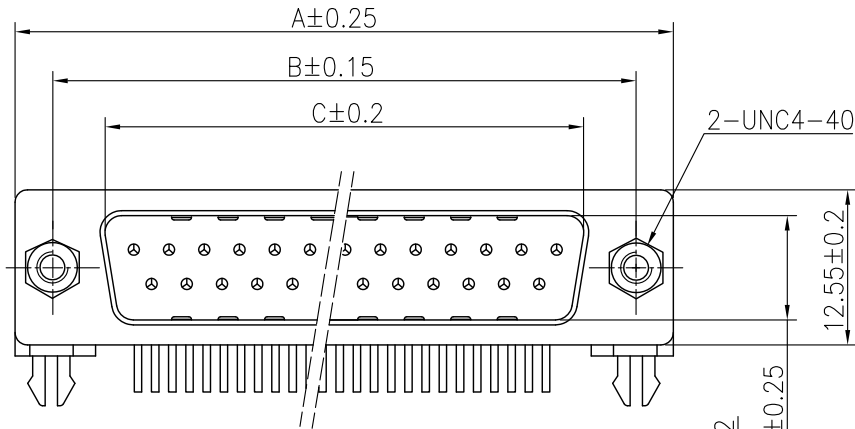
3. PART NUMBER DESCRIPTION: **10090767-P XX X X LF**

SERIES NO. \_\_\_\_\_ LF: ROHS COMPLIANT  
 TYPE \_\_\_\_\_ FLANGE MOUNTING OPTION  
 P: PIN (MALE) X: UNC #4-40 CLINCHNUTS  
 L: M3 CLINCHNUTS  
 NUMBER OF CONTACTS \_\_\_\_\_ CONTACT FINISH  
 09: 9-PIN 4: GOLD FLASH  
 15: 15-PIN 6: 30u" PLATING OPTION  
 25: 25-PIN AVAILABLE ON REQUEST  
 37: 37-PIN



POS.	PART NO.				THREAD TYPE
09P	10090767-P09*LLF				M3*0.5
15P	10090767-P15*LLF				M3*0.5
25P	10090767-P25*LLF				M3*0.5
37P	10090767-P37*LLF				M3*0.5
09P	10090767-P09*XLF				UNC 4-40
15P	10090767-P15*XLF				UNC 4-40
25P	10090767-P25*XLF				UNC 4-40
37P	10090767-P37*XLF				UNC 4-40
POS.	A	B	C	G	H
09P	30.81	24.99	16.92	2.74	5.90 <sup>+0.15</sup> <sub>0</sub>
15P	39.24	33.32	25.25	2.74	5.90 <sup>+0.15</sup> <sub>0</sub>
25P	53.04	47.04	38.96	2.77	5.70 <sup>+0.25</sup> <sub>0</sub>
37P	69.32	63.50	55.42	2.77	5.70 <sup>+0.25</sup> <sub>0</sub>

mat'l. code				tolerances unless otherwise specified		CUSTOMER COPY		FCI	
ltr	ecn no	dr	date	linear	.X ± 0.38	projection	www.fciconnect.com		
A	T09-1033	J.H	3/12/09		.XX ± 0.25		title		
B	T09-1044	J.H	4/2/09	angles	.XXX ± 0.10		D-SUB MALE RIGHT-ANGLE EU STYLE		
C	ELX-I-13433	AB	9/11/12		0' ± 2'		product family		code
				dr	JASON HSU 3/12/09		D-SUB		TWN
				enr	JASON HSU 3/12/09	size		dwg no	sheet
				chr	ALIAS BABU 9/11/12	10090767		1 of 2	
				appd	MITHUN PAUL 9/11/12	A4			
sheet index	revision sheet	C 1	C 2			scale	1:1		



REMARK:

1.CHARACTERISTICS:

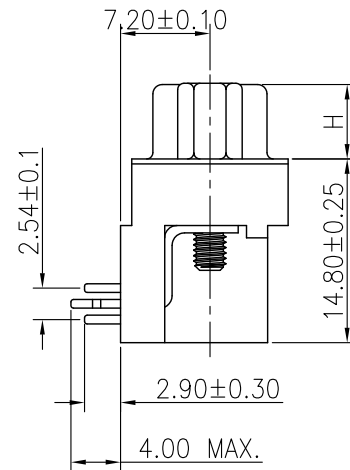
RATED VOLTAGE: 250V  
 RATED CURRENT: 5AMP  
 CONTACT RESISTANCE: 25mohms MAX.INITIAL;40mohms MAX.AFTER.  
 INSULATION RESISTANCE: 5000Mohms MIN.at 500V DC  
 DIELECTRIC STRENGTH: 1000VRMS  
 OPERATING TEMPERATURE RANGE: -55°C ~ 105°C  
 INSERTION/EXTRACTION FORCE PER CONTACT:5N Max./0.3N Min.  
 MATING/UNMATING CYCLES:50MATINGS MIN.

2.MATERIAL:

INSULATORS: GLASS-FILLED THERMOPLASTIC UL94V-0, COLOR IN BLACK.  
 CONTACTS: COPPER ALLOY,SELECTIVE GOLD ON CONTACT AREA,  
 100µ" Min MATTE TIN TOP OVER SOLDER AREA,  
 30µ" Min NICKEL UNDER PLATE.  
 SHELL: STEEL,100µ" Min NICKEL TOP OVER,  
 50µ" Min COPPER UNDER PLATE.  
 BOARD LOCK: COPPER ALLOY,100µ" Min MATTE TIN PLATED.  
 SCREW LOCK: COPPER ALLOY, 100µ" Min BRIGHT NICKEL PLATED.

3. PART NUMBER DESCRIPTION: **10090767-P XX X X LF**

SERIES NO. \_\_\_\_\_ LF: ROHS COMPLIANT  
 TYPE \_\_\_\_\_ FLANGE MOUNTING OPTION  
 P: PIN (MALE) V: UNC #4-40 SCREWLOCKS  
 NUMBER OF CONTACTS \_\_\_\_\_ CONTACT FINISH  
 09: 9-PIN 4: FLASH GOLD  
 15: 15-PIN 6: 30µ" PLATING OPTION AVAILABLE  
 25: 25-PIN ON REQUEST  
 37: 37-PIN



POS.	PART NO.			
09P	10090767-P09*VLF			
15P	10090767-P15*VLF			
25P	10090767-P25*VLF			
37P	10090767-P37*VLF			

POS.	A	B	C	G	H
09P	30.81	24.99	16.92	2.74	5.90 <sup>+0.15</sup> <sub>0</sub>
15P	39.24	33.32	25.25	2.74	5.90 <sup>+0.15</sup> <sub>0</sub>
25P	53.04	47.04	38.96	2.77	5.70 <sup>+0.25</sup> <sub>0</sub>
37P	69.32	63.50	55.42	2.77	5.70 <sup>+0.25</sup> <sub>0</sub>

mat'l. code				tolerances unless otherwise specified		CUSTOMER COPY		FCI	
ltr	ecn no	dr	date	linear	.X ± 0.38	projection	www.fciconnect.com		
C					.XX ± 0.25		title		
				angles	.XXX ± 0.10		D-SUB MALE RIGHT-ANGLE EU STYLE		
					0° ± 2°		product family		code
				dr	JASON HSU 3/12/09		D-SUB		TWN
				enr	JASON HSU 3/12/09	MM	size		dwg no
				chr	ALIAS BABU 9/11/12		10090767		sheet
				appd	MITHUN PAUL 9/11/12		A4		2 of 2
sheet index	revision sheet					scale	1:1		