


SAC-4P- 10,0-PVC/M12FR

Order No.: 1533592

<http://eshop.phoenixcontact.de/phoenix/treeViewClick.do?UID=1533592>Sensor/Actuator cable, 4-position, PVC, Black RAL 9005, Free
conductor end, on Socket, angled M12, A-coded, Cable length: 10 m**Commercial data**

GTIN (EAN)	 4 017918 992132
sales group	D111
Pack	1 pcs.
Customs tariff	85444290

Product notesWEEE/RoHS-compliant since:
12/15/2005

<http://www.download.phoenixcontact.com>
Please note that the data given here has been taken from the online catalog. For comprehensive information and data, please refer to the user documentation. The General Terms and Conditions of Use apply to Internet downloads.

Technical data**General data**

Number of positions	4
Length of cable	10 m

General characteristics

Insertion/withdrawal cycles	≥ 100
Contact material	CuSn
Contact surface material	Ni/Au
Contact carrier material	TPU GF
Material of grip body	TPU, hardly inflammable, self-extinguishing
Material, knurls	Zinc die-cast, (nickel-plated)
Sealing material	NBR

Conductor data

Cable type	PVC black
Cable abbreviation	LiYY
Conductor cross section	0.34 mm ²
AWG signal line	22
Conductor structure signal line	42x 0.10 mm
Core diameter including insulation	1.52 mm ±0.02 mm
Thickness, insulation	≥ 0.23 mm (Core insulation) ≥ 0.76 mm (Outer cable sheath)
External cable diameter	5.20 mm
Wire colors	Brown, white, blue, black
External sheath, color	Black RAL 9005
Insulation resistance	≥ 100 MΩ*km
Conductor resistance	max. 57.3 Ω/km
Nominal voltage, conductor	300 V
Test voltage, conductor	2500 V
Overall twist	4 wires, twisted
Outer sheath, material	PVC
Material conductor insulation	PVC
Conductor material	Bare Cu litz wires
Cable weight	43 kg/km

Certificates / Approvals



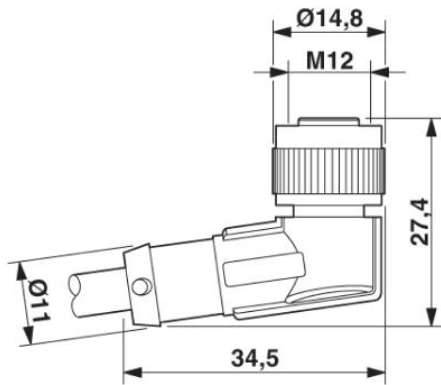
Certification

CUL Listed, UL Listed

Diagrams/Drawings

Dimensioned drawing

M12 x 1 female connector, angled



Address

PHOENIX CONTACT Deutschland GmbH
Flachmarktstr. 8
32825 Blomberg, Germany
Phone +49 5235 3 12000
Fax +49 5235 3 41200
<http://www.phoenixcontact.de>



© 2011 Phoenix Contact
Technical modifications reserved;