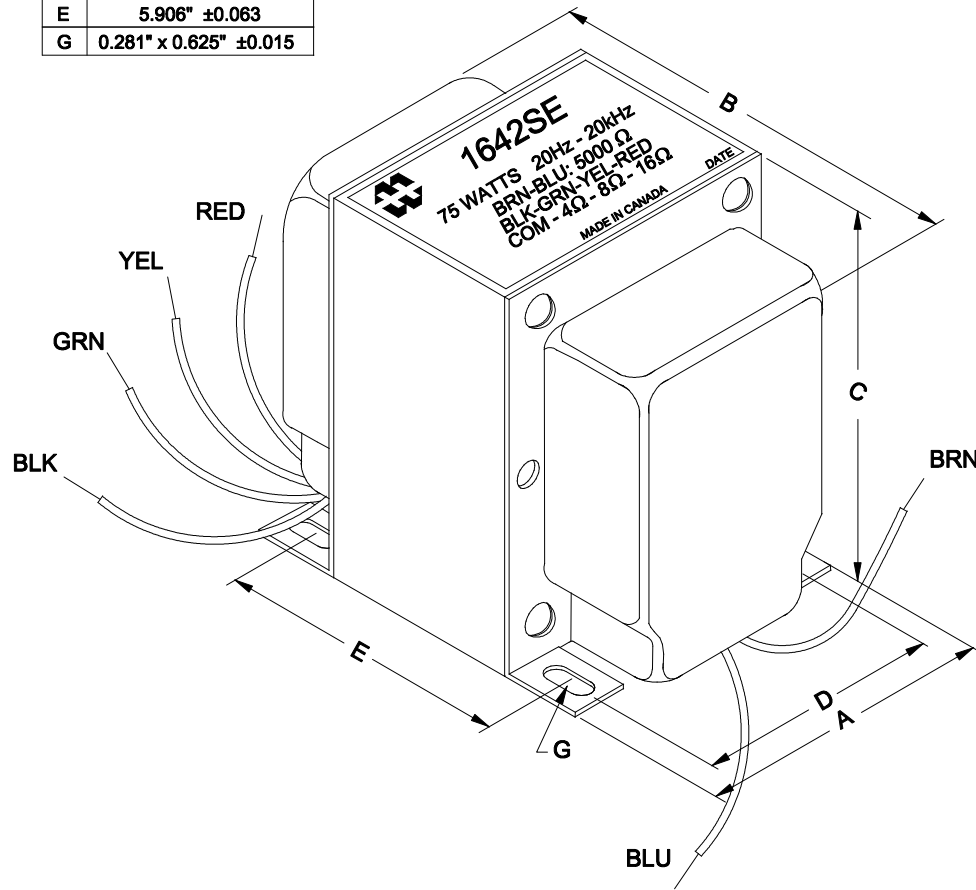
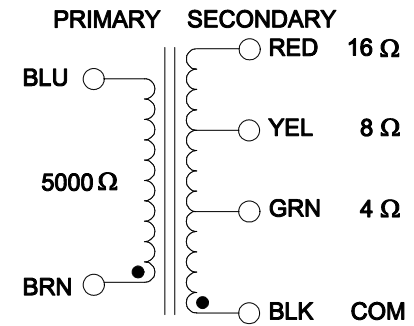


DIMENSIONS:	
A	4.375" ±0.063
B	7.500" ±0.125
C	5.300" ±0.063
D	3.500" ±0.063
E	5.906" ±0.063
G	0.281" x 0.625" ±0.015



NOTE: ALL LEADS 8" OUT MIN.



75 WATT  
20Hz - 20kHz  
±1db MAX.(1kHz REF.)  
300mA MAX. DC BIAS

ELECTRICAL DATA:		
TESTS	CONDITIONS	ACCEPTANCE CRITERIA
Iex	@ 240V, 60Hz, BRN - BLU	12mA Max.
Sec. N.L.V	@ 240V, 60Hz, BRN - BLU	
	BLK - GRN =	6.720V ±2%
	BLK - YEL =	9.600V ±2%
	BLK - RED =	13.44V ±2%
DCR	@ 20°C, BRN - BLU =	240.0 Ω ±20%
	@ 20°C, BLK - RED =	0.950 Ω ±20%
HIPOT	PRIMARY - SECONDARY	4250VDC, 1 SEC

REV.#	REVISION	DATE	HAMMOND ELECTRONIC DIVISION		52 RANKIN PLACE, WATERLOO, ONTARIO, N2J 3Z5	PH # (519) 886-6181 FAX # (519) 886-9540
0	RELEASED.	08/17/15	MANUFACTURING™			
			DWG. BY: C. ILIE	CHK'D BY:	TITLE: SINGLE ENDED "CLASSIC" TUBE OUTPUT ULTRA-LINEAR TRANSFORMER	DWG. NO. 1642SE
			DATE: 08/17/15	APP'D. BY: DIMENSIONS: IN(X) MM( )		