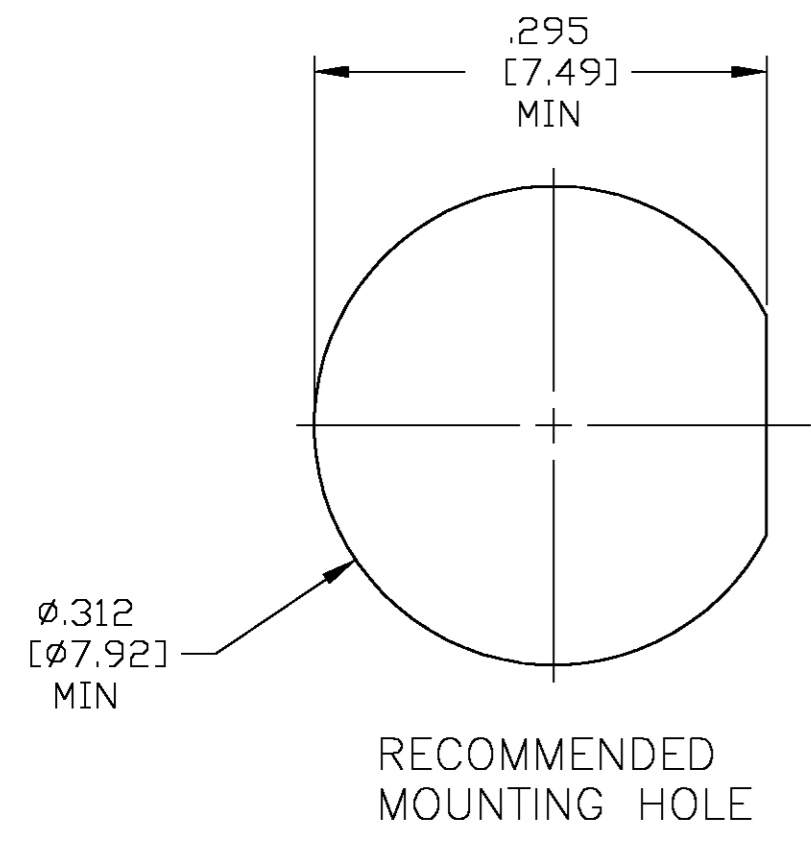
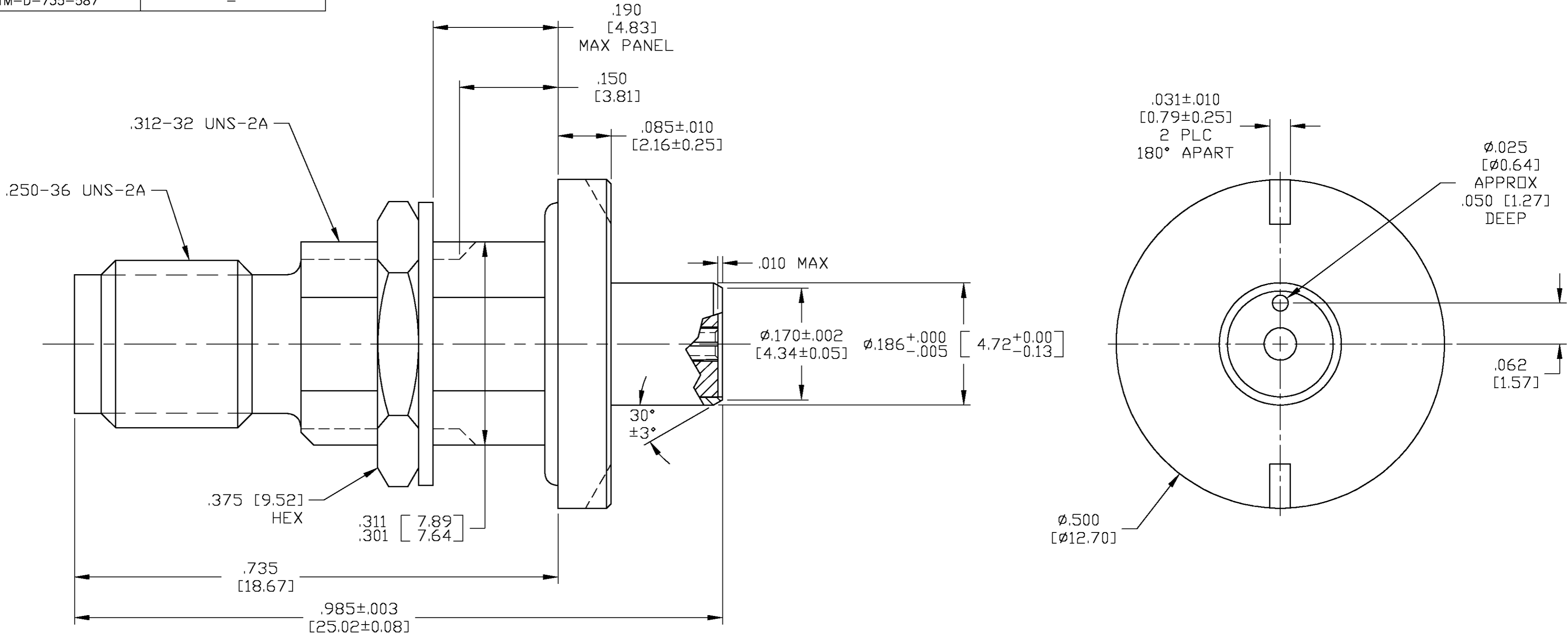


THIS DRAWING IS UNPUBLISHED. RELEASED FOR PUBLICATION
 © COPYRIGHT BY TYCO ELECTRONICS CORPORATION. ALL RIGHTS RESERVED.

LOC	DIST	REVISIONS					
DF	X5	P	LTR	DESCRIPTION	DATE	DWN	APVD
		0		RELEASED	2-03	CT	RG

COMPONENT	MATERIAL	FINISH
MOUNTING NUT HOUSING WASHER	STAINLESS STEEL PER ASTM-A-484 OR ASTM-A-582 TYPE 303	PASSIVATED PER ASTM-A-380
DIELECTRIC	PTFE FLUORCARBON PER ASTM-D-484	-
CENTER CONTACT	BERYLLIUM COPPER PER ASTM-B-196 OR 197 ALLOY C17300, CONDITION H	GOLD PLATED PER ASTM-B-488
"O"-RING	ETHYLENE PROPYLENE RUBBER PER ASTM-D-735-587	-



1663286-1
PART NO.

THIS DRAWING IS A CONTROLLED DOCUMENT.		DWN C.C.THOMAS 13FEB03	Tyco Electronics Corporation Harrisburg, PA 17105	
DIMENSIONS: INCHES		CHK R.GROSS 2-14-03	NAME BULKHEAD FEED-THRU ADAPTER HERMETICALLY SEALED,RF	
TOLERANCES UNLESS OTHERWISE SPECIFIED:		APVD R.GROSS 2-14-03	SIZE A2	CAGE CODE 00779
0 PLC ± - 1 PLC ± - 2 PLC ± - 3 PLC ± .005 [0.13] 4 PLC ± - ANGLES ± -		PRODUCT SPEC APPLICATION SPEC	DRAWING NO C=1663286	RESTRICTED TO -
MATERIAL SEE TABLE	FINISH SEE TABLE	WEIGHT -	SCALE 8:1	SHEET 1 OF 1
CUSTOMER DRAWING			REV 0	

1663286