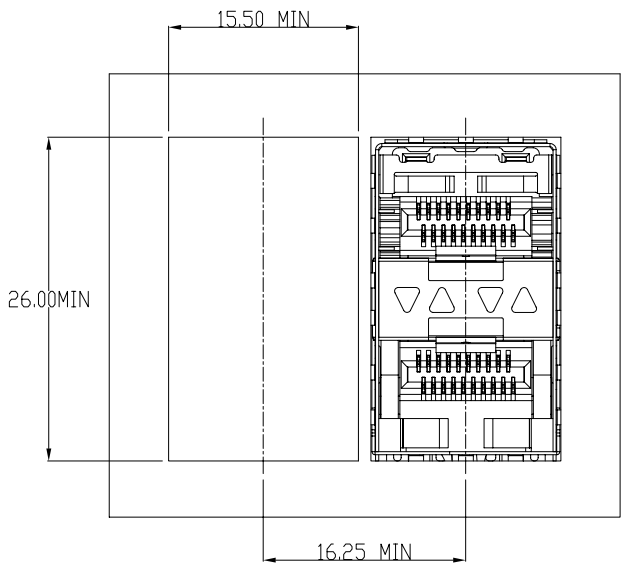
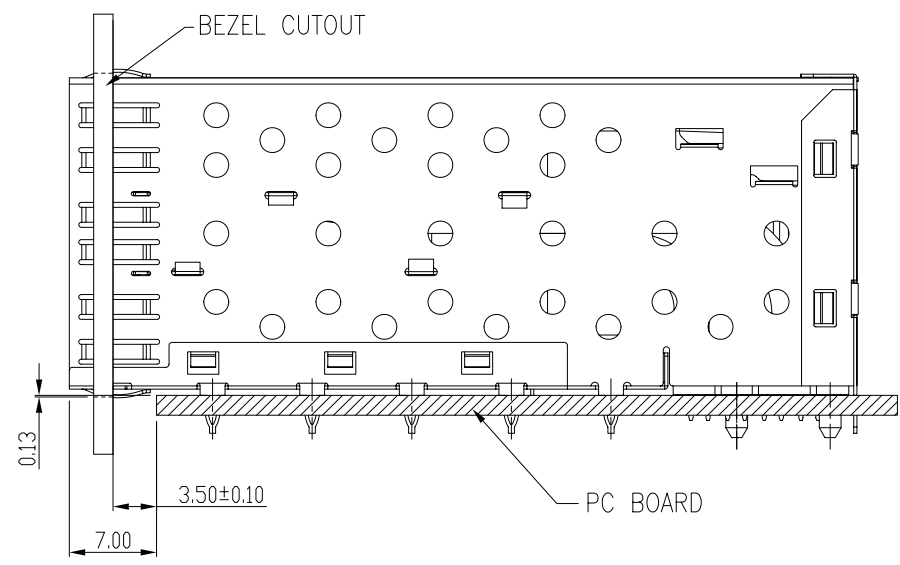


Qty Per:	TRAY	CARTON		
	16	96		
PART NUMBER	STATEMENT			
SFP018-L	INNER/OUTER LIGHT PIPES			
No.	DESCRIPTION	Q'ty	MATERIAL	PLATING
01	SFP CAGE (Non-Logo)	1	COPPER ALLOY	NICKEL
02	CONNECTOR	1	HIGH TEMP/COPPER ALLOY	GOLD

DETACHED LISTS	MM (INCH)	RoHS Compliant		Pulse A TECHNITROL COMPANY		
	TOLERANCES EXCEPT AS NOTED	TITLE				W/LIGHT PIPES
	MM	±	SFP 2 BY 1 CAGE+CONNECTOR_P			
	.0 ± 0.25 .00 ± 0.2 .000 ± 0.10	±				
	ANGLES ± 0.5	DFTD Jack		DRAWING NO. CSFP018-L	SIZE REV	
		DATE 12/02/08		/PART NO. SFP018-L	A3 2	
	THIRD ANGLE PROJECTION	SCALE : 2:1		DO NOT SCALE DRAWING	SHEET 1 OF 4	



BEZEL CUT-OUT CENTER SPACING DETAIL
BEZEL THICKNESS:0.8-2.6

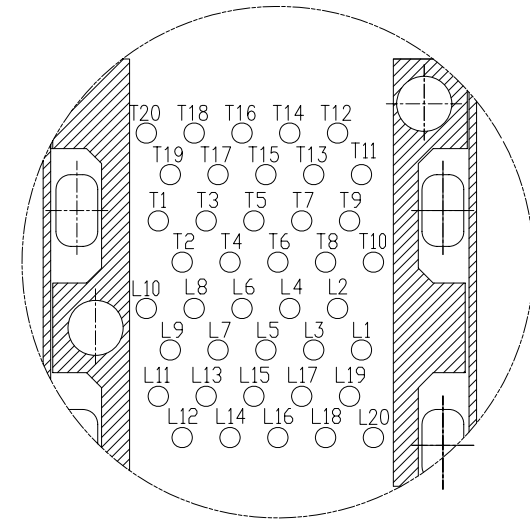
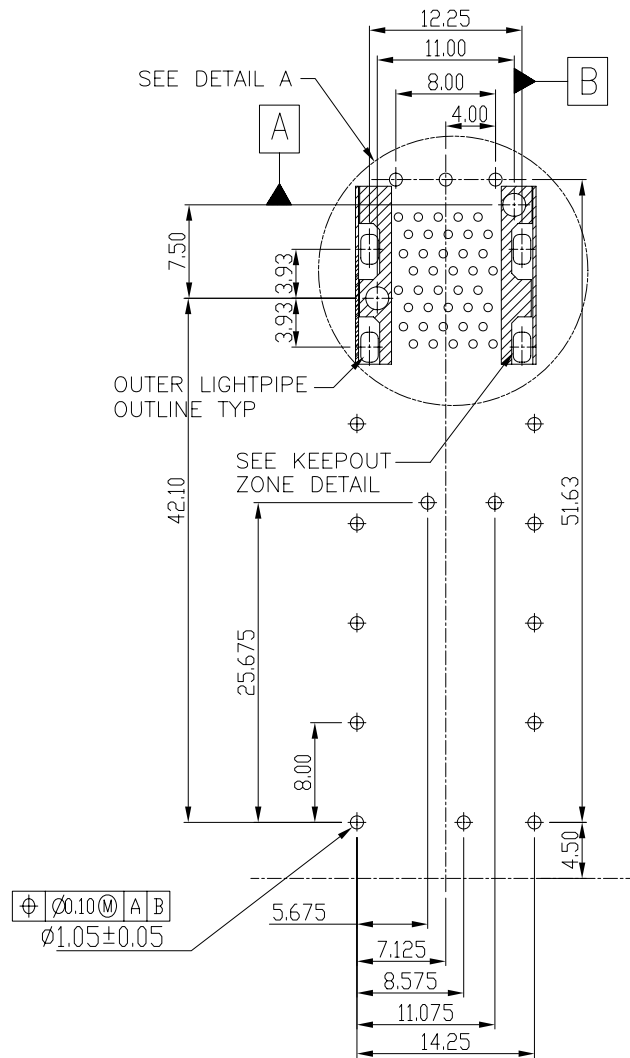
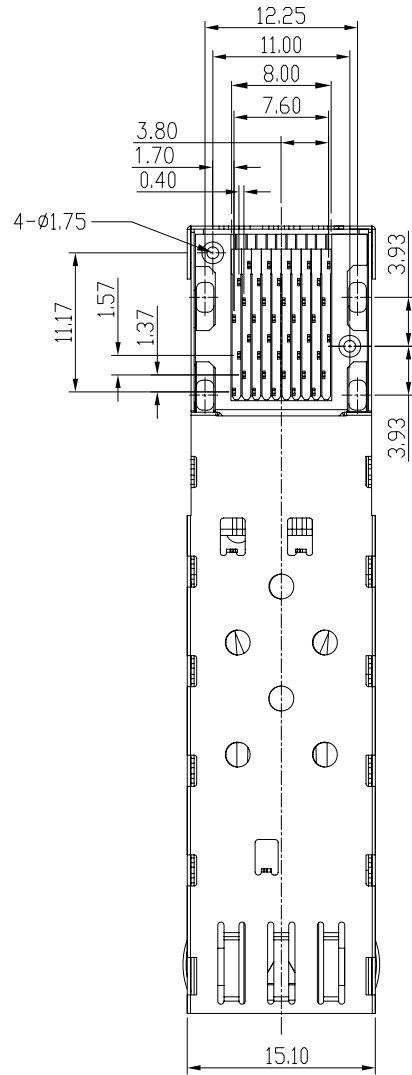


SECTION A-A


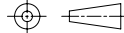
8 | 7 | 6 | 5 | 4 | 3 | 2 | 1

H
G
F
E
D
C
B
A

MM (INCH)		RoHS Compliant			
TOLERANCES EXCEPT AS NOTED					
DETACHED LISTS	MM				
	.0 ± 0.25		±		
	.00 ± 0.2		±		
	.000 ± 0.10		±		
ANGLES ± 0.5					
THIRD ANGLE PROJECTION		RoHS Compliant		Pulse A TECHNITROL COMPANY	
		TITLE SFP 2 BY 1 CAGE+CONNECTOR_P		W/LIGHT PIPES	
DFTD Jack DATE 12/02/08		DRAWING NO. CSFP018-L /PART NO. SFP018-L		SIZE A3	REV 2
SCALE : 2:1		DO NOT SCALE DRAWING		SHEET 2	OF 4



CONNECTOR PIN-OUT
COMPONENT SIDE OF BOARD

MM (INCH)		RoHS Compliant		 Pulse <small>A TECHNITROL COMPANY</small>	
TOLERANCES EXCEPT AS NOTED		TITLE SFP 2 BY 1 CAGE+CONNECTOR_P W/LIGHT PIPES			
DETACHED LISTS MM .0 ± 0.25 ± .00 ± 0.2 ± .000 ± 0.10 ± ANGLES ± 0.5	DFTD Jack DATE 12/02/08		DRAWING NO. CSFP018-L /PART NO. SFP018-L		SIZE A3
 THIRD ANGLE PROJECTION		SCALE : 2:1 DO NOT SCALE DRAWING		REV 2 SHEET 3 OF 4	

