

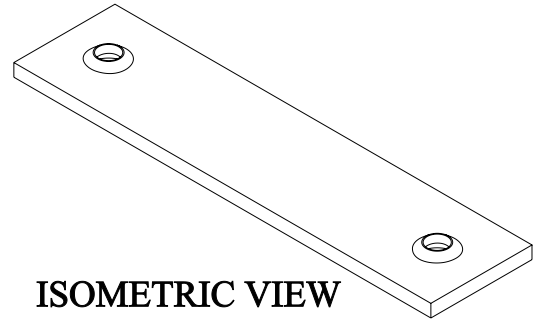
PART No. 14S8

for more information visit

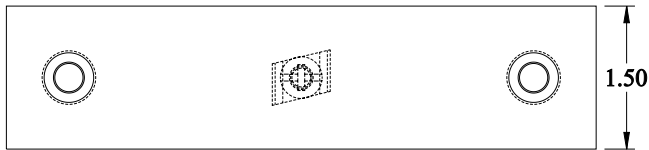
www.hammfg.com

Data subject to change without notice

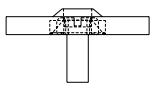
Isometric drawing Not to Scale



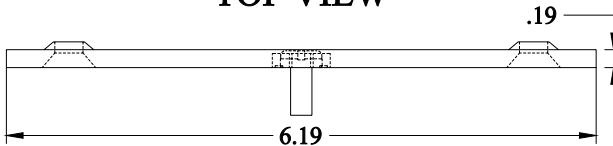
ISOMETRIC VIEW



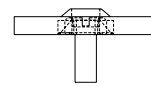
TOP VIEW



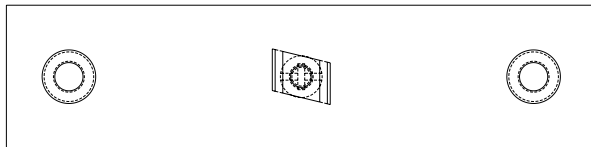
LEFT VIEW



FRONT VIEW



RIGHT VIEW



BOTTOM VIEW