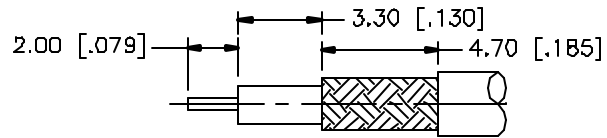
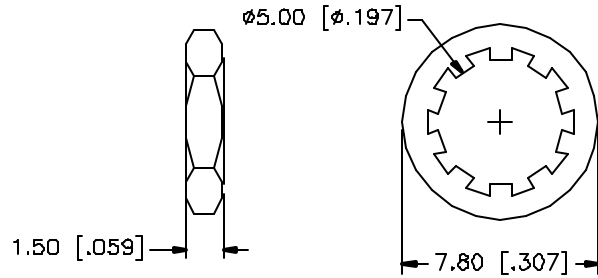


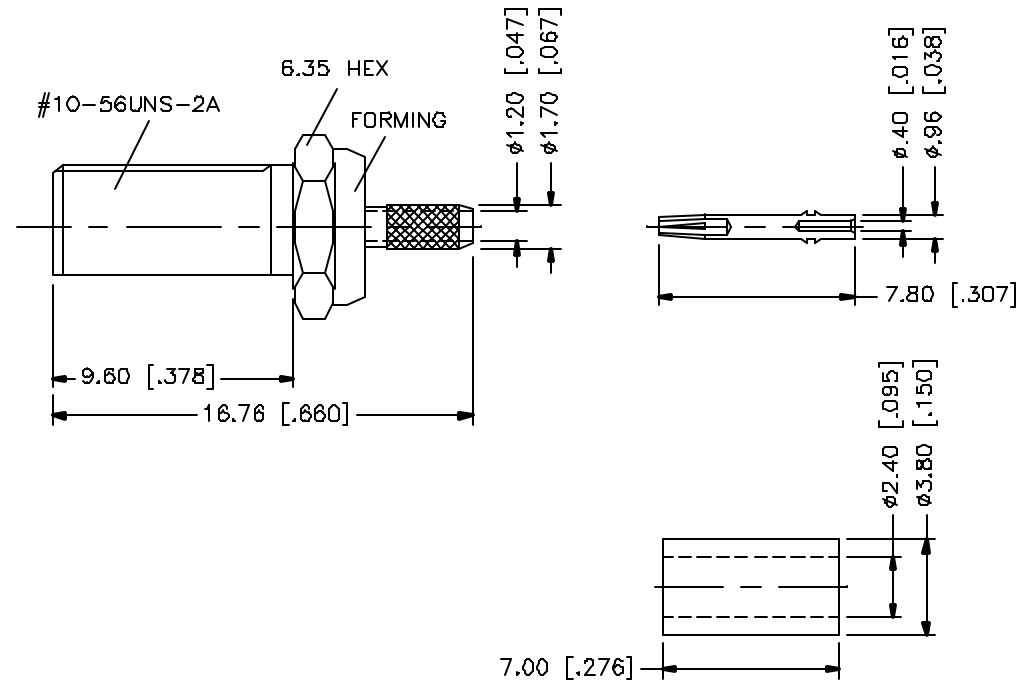
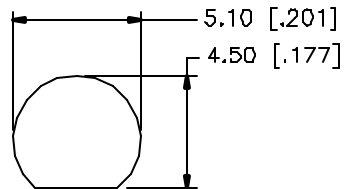
REV.	DATE	DESCRIPTION
A	02/02/05	UPDATE DRAWING FORMAT AND MODIFY PART DESCRIPTION



RECOMMENDED CABLE STRIPPING DIMENSIONS



RECOMMENDED MOUNTING HOLE



NOTES:

1. CRIMPED FERRULE
HEX CRIMP SIZE .128"
2. CONTACT PIN TO SOLDER
3. MAX. PANEL THICKNESS = 6.8mm

QTY	DESCRIPTION	MATERIAL	FINISH	QTY	UNLESS OTHERWISE SPECIFIED DIMENSIONS ARE IN MILLIMETERS. DIMENSIONS IN [] ARE IN INCHES AND FOR CUSTOMER REFERENCE ONLY.	APPROVALS	DATE	<h1 style="color: blue; margin: 0;">Amphenol Connex</h1>
8								
7	FERRULE	COPPER	GOLD	1	UNLESS OTHERWISE SPECIFIED TOLERANCES FOR MILLIMETERS ARE: 0.5 - 8mm ± 0.20mm 8 - 30mm ± 0.40mm 30 - 120mm ± 0.50mm	DRAWN G.R.S.	02/02/05	PART NO. 252167
6	HEX NUT	BRASS	GOLD	1	UNLESS OTHERWISE SPECIFIED TOLERANCES FOR INCHES ARE: .020 - .315 = ± 0.007" .315 - 1.180 = ± 0.015" 1.180 - 4.724 = ± 0.020"	CHECKED		
5	LOCK WASHER	BRASS	GOLD	1	DO NOT SCALE DRAWING	ISSUED		REV. A
4	GASKET	SILICONE	RED	1		SHEET 1 OF 1		
3	CONTACT PIN	PHOS. BRONZE	GOLD	1		CAD FILE C:/252/252167.DWG		
2	INSULATOR	TEFLON	NATURAL	1				
1	BODY	BRASS	GOLD	1				