

LTM8029

36V_{IN}, 600mA Step-Down μ Module Converter with 5 μ A Quiescent Current

DESCRIPTION

DC1724A is a μ Module[®] step-down converter, featuring the LTM8029, which consumes only 5 μ A of quiescent current. The demo circuit is designed for a 5V, 600mA output at an operating frequency of 600kHz. The input voltage range is from 5.6V to 36V. Equipped with an off-time skipping capability, the LTM8029 can operate at input voltages lower than other step-down regulators.

The wide input range of the LTM8029 allows a variety of input sources such as automotive batteries and industrial supplies. Its current mode control scheme creates fast transient response and good loop stability. At light loads, the LTM8029 operates in Burst Mode[®] operation to maintain high efficiency and low output ripple over a broad current

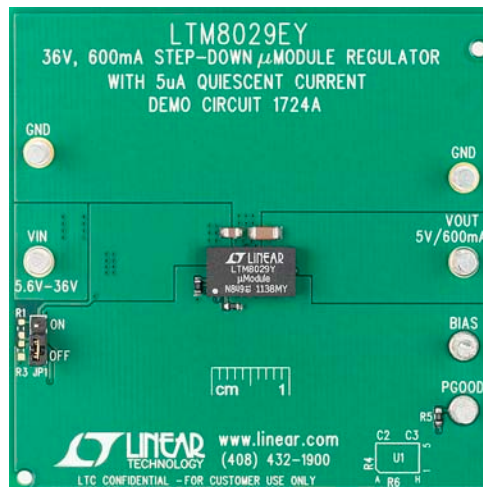
range. To provide a programmable undervoltage lockout, users can remove jumper JP1 and populate R1 and R3 on the RUN pin.

The LTM8029 data sheet gives a complete description of the part, operation and application information. The data sheet must be read in conjunction with this demo manual prior to working on or modifying demo circuit DC1724A.

Design files for this circuit board are available at <http://www.linear.com/demo>

L, LT, LTC, LTM, μ Module, Linear Technology, the Linear logo and Burst Mode are registered trademarks of Linear Technology Corporation. All other trademarks are the property of their respective owners.

BOARD PHOTO



DEMO MANUAL DC1724A

PERFORMANCE SUMMARY (T_A = 25°C)

PARAMETER	CONDITIONS	VALUE
Input Voltage Range	V _{OUT} = 5V	5.6V to 36V
Output Voltage		5V
Maximum Output Current		600mA
Typical Switching Frequency		600kHz
Typical Efficiency	V _{IN} = 12V, V _{OUT} = 5V, I _{OUT} = 600mA	85%

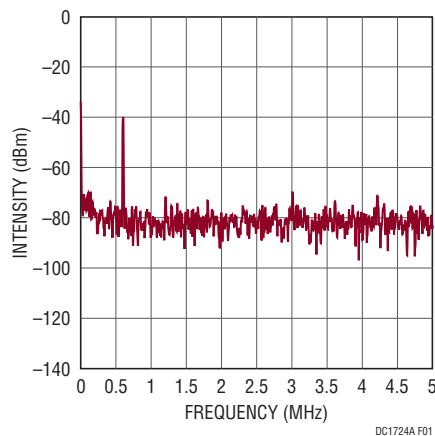


Figure 1. DC1724A Output Noise Spectrum
(V_{IN} = 12V, V_{OUT} = 5V, I_{OUT} = 600mA)

QUICK START PROCEDURE

DC1724A provides an easy way to evaluate the performance of the LTM8029. Refer to Figure 2 for proper measurement equipment setup and follow the procedure below:

NOTE: When measuring the input or output voltage ripple, care must be taken to avoid a long ground lead on the oscilloscope probe. Measure the input or output voltage ripple by touching the probe tip directly across the V_{IN} or V_{OUT} and GND terminals. See Figure 3 for proper scope probe technique.

1. Place JP1 on the ON position.
2. With power off, connect the input power supply to V_{IN} and GND.

3. Turn on the power at the input.

NOTE: Make sure that the input voltage does not exceed 36V.

4. Check for the proper output voltage.

NOTE. If there is no output, temporarily disconnect the load to make sure that the load is not set too high or is shorted.

5. Once the proper output voltage is established, adjust the load within the operating range and observe the output voltage regulation, ripple voltage, efficiency and other parameters.

QUICK START PROCEDURE

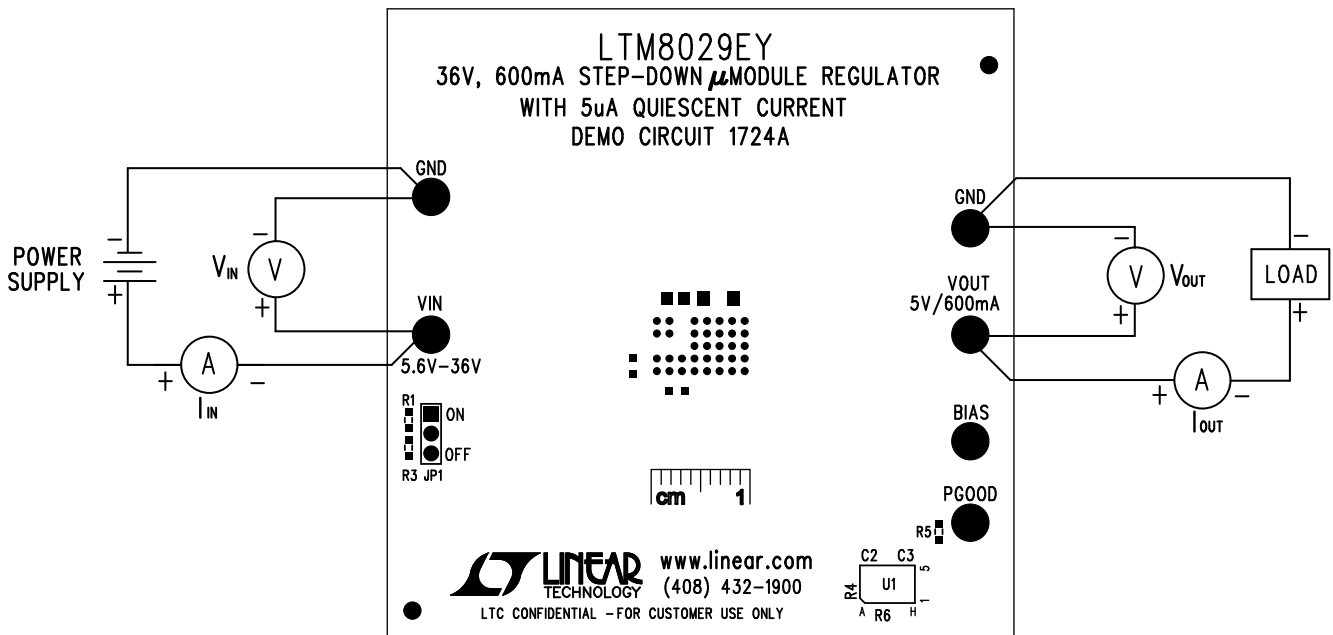


Figure 2. Proper Measurement Equipment Setup

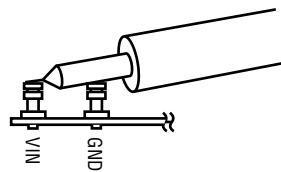


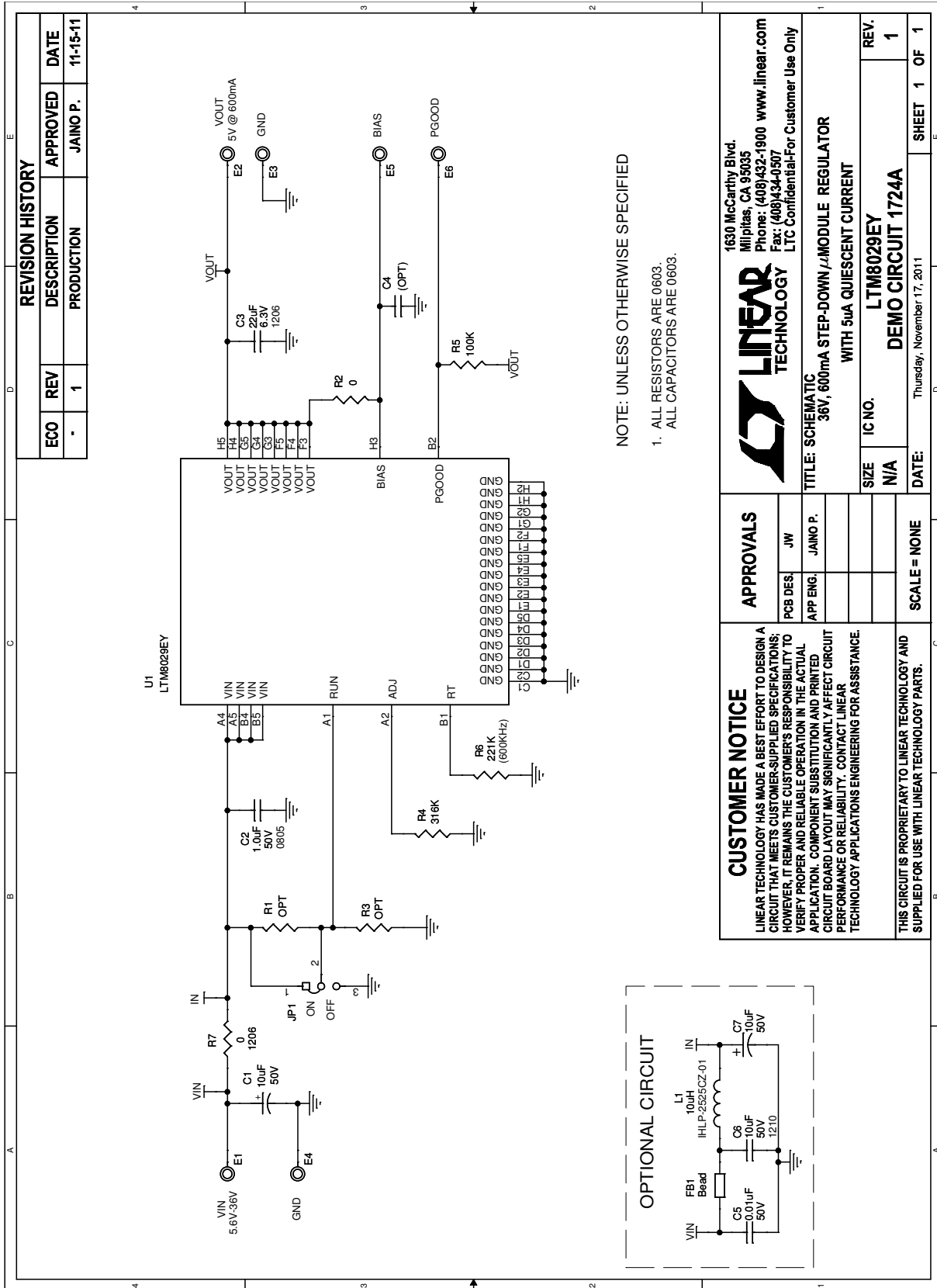
Figure 3. Measuring Input or Output Ripple

DEMO MANUAL DC1724A

PARTS LIST

ITEM	QTY	REFERENCE	PART DESCRIPTION	MANUFACTURER/PART NUMBER
Required Circuit Components				
1	1	C2	CAP, X7R, 1.0 μ F, 50V, 10%, 0805	MURATA, GRM21BR71H105KA12L
2	1	C3	CAP, X5R, 22 μ F, 6.3V, 20%, 1206	TDK, C3216X5R0J226M
3	1	R2	RES., CHIP, 0 Ω , 1/16W, 0603	NIC, NRC06Z0TRF
4	1	R4	RES., CHIP, 316k, 1/10W, 1%, 0603	VISHAY, CRCW0603316KFKEA
5	1	R5	RES., CHIP, 100k, 1/10W, 1% 0603	VISHAY, CRCW0603100KFKEA
6	1	R6	RES., CHIP, 221k, 1/10W, 1% 0603	VISHAY, CRCW0603221KFKEA
7	1	R7	RES., CHIP, 0 Ω , 1/4W, 1% 1206	NIC, NRC12Z0TRF
8	1	U1	IC., MODULE REGULATOR, LTM8029EY BGA-35 LEAD	LINEAR TECH., LTM8029EV
Additional Demo Board Circuit Components				
1	1	C1	CAP, ALUM, 10 μ F, 50V	SUN ELECT., 50CE10BS
2	0	C4, C5 (OPT)	CAP, 0603	
3	0	C6 (OPT)	CAP, 1210	
4	0	C7 (OPT)	CAP, ALUM CAP	
5	0	R1, R3 (OPT)	RES., CHIP, 0603	
6	0	FB1 (OPT)	FERRITE BEAD, M TYPE	TAIYO YUDEN, FBMJ3216HS800T
7	0	L1 (OPT)	IND., 10 μ H	VISHAY, IHLP-2525CZ-01
Hardware – For Demo Board Only				
1	6	E1–E6	TEST POINT, TURRET, 0.094" PBF	MILL-MAX, 2501-2-00-80-00-00-07-0
2	1	JP1	3 PIN 0.079" SINGLE ROW HEADER	SAMTEC, TMM103-02-L-S
3	1	XJP1	SHUNT, 0.079" CENTER	SAMTEC, 2SN-BK-G
4	1	STENCIL		

SCHEMATIC DIAGRAM



DEMO MANUAL DC1724A

DEMONSTRATION BOARD IMPORTANT NOTICE

Linear Technology Corporation (LTC) provides the enclosed product(s) under the following **AS IS** conditions:

This demonstration board (DEMO BOARD) kit being sold or provided by Linear Technology is intended for use for **ENGINEERING DEVELOPMENT OR EVALUATION PURPOSES ONLY** and is not provided by LTC for commercial use. As such, the DEMO BOARD herein may not be complete in terms of required design-, marketing-, and/or manufacturing-related protective considerations, including but not limited to product safety measures typically found in finished commercial goods. As a prototype, this product does not fall within the scope of the European Union directive on electromagnetic compatibility and therefore may or may not meet the technical requirements of the directive, or other regulations.

If this evaluation kit does not meet the specifications recited in the DEMO BOARD manual the kit may be returned within 30 days from the date of delivery for a full refund. **THE FOREGOING WARRANTY IS THE EXCLUSIVE WARRANTY MADE BY THE SELLER TO BUYER AND IS IN LIEU OF ALL OTHER WARRANTIES, EXPRESSED, IMPLIED, OR STATUTORY, INCLUDING ANY WARRANTY OF MERCHANTABILITY OR FITNESS FOR ANY PARTICULAR PURPOSE. EXCEPT TO THE EXTENT OF THIS INDEMNITY, NEITHER PARTY SHALL BE LIABLE TO THE OTHER FOR ANY INDIRECT, SPECIAL, INCIDENTAL, OR CONSEQUENTIAL DAMAGES.**

The user assumes all responsibility and liability for proper and safe handling of the goods. Further, the user releases LTC from all claims arising from the handling or use of the goods. Due to the open construction of the product, it is the user's responsibility to take any and all appropriate precautions with regard to electrostatic discharge. Also be aware that the products herein may not be regulatory compliant or agency certified (FCC, UL, CE, etc.).

No License is granted under any patent right or other intellectual property whatsoever. **LTC assumes no liability for applications assistance, customer product design, software performance, or infringement of patents or any other intellectual property rights of any kind.**

LTC currently services a variety of customers for products around the world, and therefore this transaction **is not exclusive**.

Please read the DEMO BOARD manual prior to handling the product. Persons handling this product must have electronics training and observe good laboratory practice standards. **Common sense is encouraged.**

This notice contains important safety information about temperatures and voltages. For further safety concerns, please contact a LTC application engineer.

Mailing Address:

Linear Technology
1630 McCarthy Blvd.
Milpitas, CA 95035

Copyright © 2004, Linear Technology Corporation