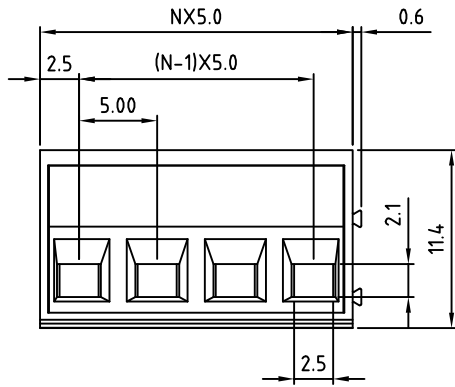
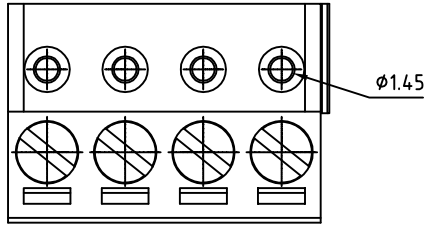
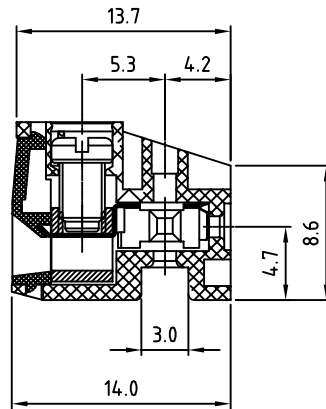


| SIGN | DATE | DESCRIPTION | APPROVER |
|------|------|-------------|----------|
| | | | Marvin |
| | | | Marvin |

THIS IS CAD DRAWING, DO NOT REVISE MANUALLY!!!



N=Number of poles



Material

- Terminal body
- (metal housing): Brass(CuZn)
- Terminal screw: Steel Zinc plating "-" slot type
- Wire guard: PhBz, Tin or Au plated.
- Insulator (housing): Thermoplastic (UL94V-0)

Electrical

- Voltage rating: 300VAC
- Current rating: 10A
- Wire range:
 - Solid wire(AWG): 16-22
 - Stranded wire(AWG): 16-22
- Torque(Lb-In): 1.7
- Screw: M3
- Wire strip length: 5-6mm
- Withstanding Voltage: 1.6KV
- Operating temperature: -30°C to +105°C
- Safety approval: us

RoHS Compliant

PART NUMBER:

OSTTTXX0181

No. of Poles
 02 2 Poles
 03 3 Poles

 24 24 Poles

COLOR
 0: Black
 5: Green
 6: Blue
 8: Grey (Standard)



THESE DRAWINGS AND SPECIFICATIONS ARE THE PROPERTY OF ON-SHORE TECHNOLOGY, INC. AND SHALL NOT BE REPRODUCED, COPIED OR USED IN ANY MANNER WITHOUT THE PRIOR WRITTEN CONSENT OF ON-SHORE TECHNOLOGY, INC.

| | | | | | |
|----------|----------------------|----------------------------------|----------------------|--------------|---|
| TITLE | | OSTTT - 5.0mm Series Solid block | | | |
| PART NO. | OSTTTXX0181 | DWG NO. | OSTTTXX0181.DWG | | |
| APPROVED | CHECKED | DESIGNED | DRAWN | CUST NO. | Tolerance |
| | Marvin 2006.08.30 | Marvin 2006.08.30 | Marvin 2006.10.04 | | X. ±0.50 X.X ±0.30 X.XX ±0.10 X° ±1° |
| | | | | | UNIT: mm SCALE: NONE |
| | | | | SHEET: 01/01 | REV: D |