

NOTES:

1. HARDWARE SHIPPED UNASSEMBLED.
2. THIS JACK SHOULD BE ONLY USED WITH SWITCHCRAFT $\varnothing 0.097$ SUBMINIATURE PHONE PLUGS. (850 & 851 SERIES)

3. MATERIALS:

BUSHING - NICKEL-PLATED COPPER ALLOY
 INSULATING SPACERS - RIGID PLASTIC
 TIP, SHUNT AND SLEEVE TERMINALS - SILVER-PLATED COPPER ALLOY
 HARDWARE - NICKEL-PLATED COPPER ALLOY

4. SPECIFICATION:

SPRING LIFE, INSERTION AND WITHDRAWAL, 2500 CYCLES
 SEE NOTE 2

DIELECTRIC STRENGTH, 250 VRMS A.C. BETWEEN TIP SPRING
 AND BUSHING AND BETWEEN BREAK SHUNT SPRING AND BUSHING.

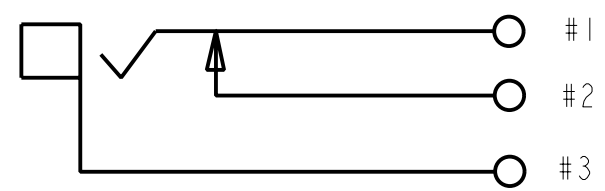
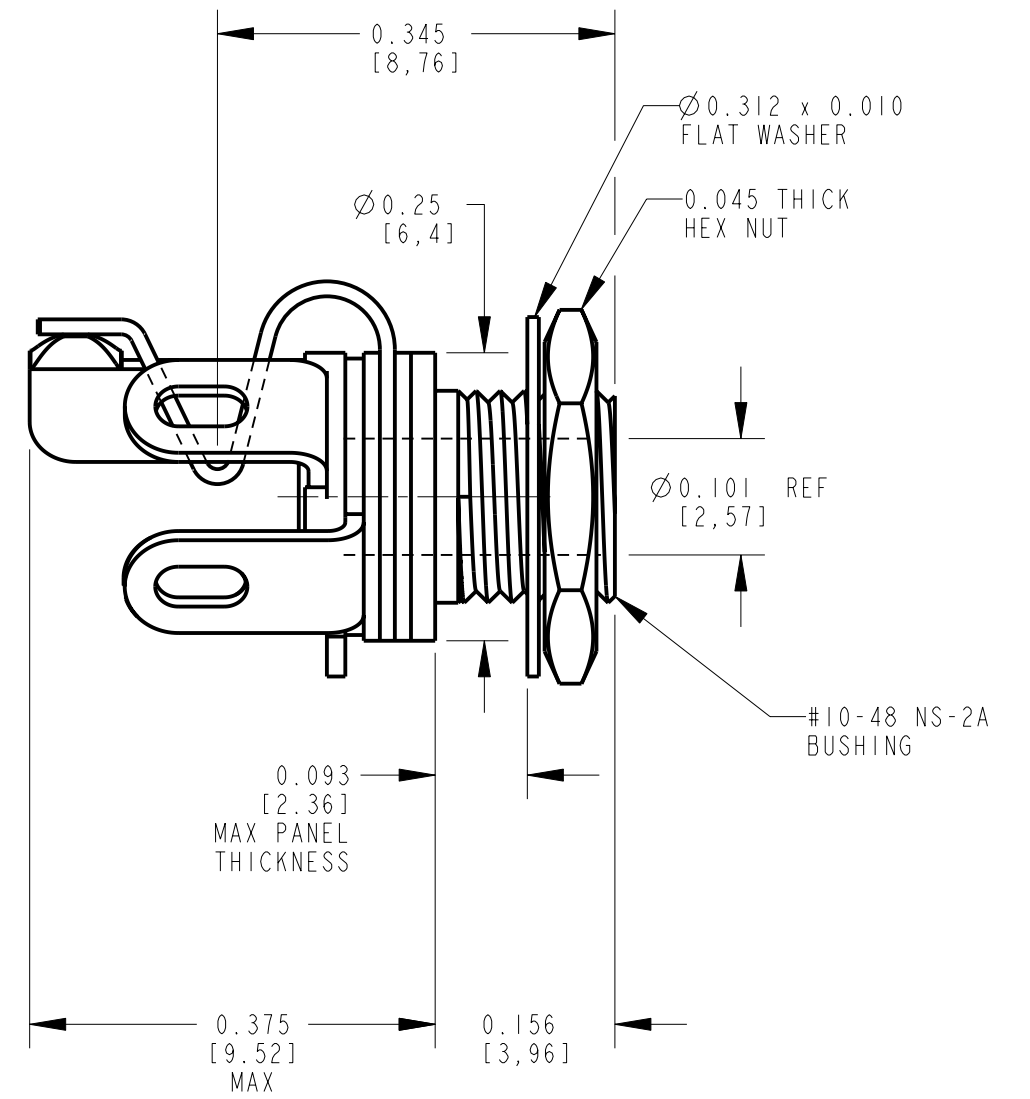
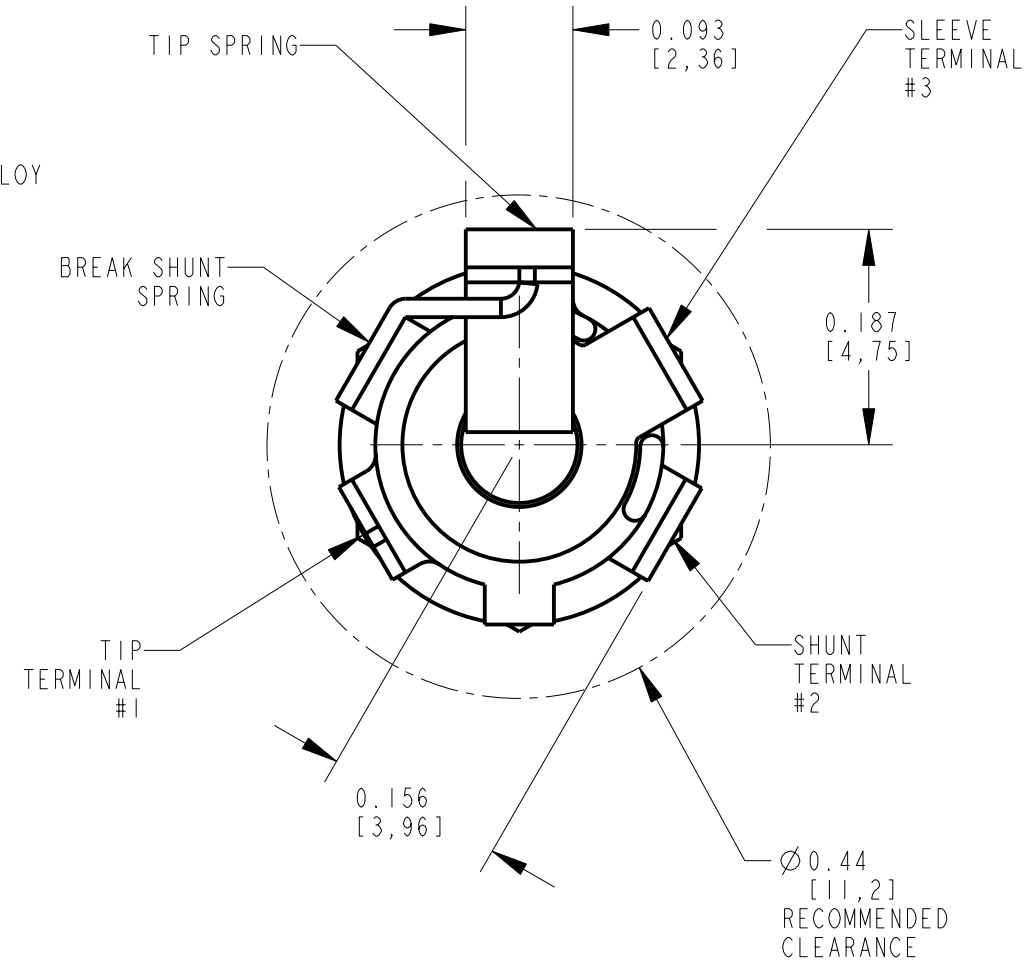
CONTACT RESISTANCE: 0.1 OHM MAX. BETWEEN TIP SPRING
 AND BREAK SHUNT SPRING.

CAPACITANCE BETWEEN ONE CONTACT AND ALL OTHER
 CONDUCTING PARTS TO BE 12 MMFD MAX.

INSULATION RESISTANCES:
 AS RECEIVED: 75 MEGOHMS (MAX)
 WET: 1.5 MEGOHMS (MIN)
 (MEASURED FROM ONE CONTACT TO
 ALL OTHER CONDUCTING PARTS)

SAFE OPERATION TEMP.: 75°C (MAX)

INSERTION FORCE: 21LBS. (MAX)
 WITHDRAWAL FORCE: 0.5LB. (MIN)
 SEE NOTE 2



SCHEMATIC

CUSTOMER DRAWING

REV	ECO NUMBER	DATE	BY	APVD
E	24774	10-1-07	JL	TJK
D	21206	1-27-97	CR	JF
C	20848	1-27-97	CR	JF
B	20834	1-27-97	CR	JF
A	20627	3-5-96	CR	JF

★ STAR SYMBOL DENOTES CRITICAL DIMENSION

UNLESS OTHERWISE SPECIFIED

1. ALL DIMENSIONS IN INCHES
 - TWO PLACE DECIMALS ± 0.01
 - THREE PLACE DECIMALS ± 0.005
 - ANGLES ± 1
 - ALL DIA. CONCENTRIC WITHIN 0.005 T.I.R.

2. FEATURES ON THE SAME CENTERLINE
 MUST BE ALIGNED WITHIN ± 0.002

3. REMOVE ALL BURRS

DO NOT SCALE DRAWING

THIS DRAWING DESCRIBES A DESIGN CONSIDERED PROPRIETARY IN NATURE, DEVELOPED AND MANUFACTURED BY SWITCHCRAFT INC. AND IS RELEASED ON A CONFIDENTIAL BASIS FOR IDENTIFICATION PURPOSES ONLY.									
SIZE		WIDTH		MULT		LBS/M		TEMPER	
FINISH					MATERIAL				
SPEC No.					SPEC No.				
FIRST USED ON				SCALE					
				6:1					
DATE DRAWN	BY	CHKD	APVD	Switchcraft [®]					
4-10-95	ES	GHJ	GHJ						
NAME				SHEET		OF		REV	
TR SERIES (MICRO)				1		1		E	
SUBMINIATURE JACK TYPE 2				PART No.		TR2A			