

| THIS DRAWING IS UNPUBLISHED. | | RELEASED FOR PUBLICATION | | 2007 | |
|--|-----|--------------------------|---------------|-----------|--|
| COPYRIGHT 2007 BY TYCO ELECTRONICS CORPORATION. ALL RIGHTS RESERVED. | | | | | |
| PART NUMBER | REV | FIRST USED | POWER UNIT | FEED TYPE | |
| 466799-2 | E | - | AMP-O-LECTRIC | AIR FEED | |

1. ONLY THE PARTS & HARDWARE LISTED ON PARTS LIST ARE USED ON THIS APPLICATOR.
- △ AFTER ASSEMBLY OF APPLICATOR PROPER SPRING PRESSURE (ITEM 34) CAN BE ACHIEVED BY TIGHTENING SET SCREW (ITEM 123) UNTIL CONTACT IS MADE WITH SPACER (ITEM 32) & THEN TIGHTENING AN ADDITIONAL 5 1/2 TO 6 REVOLUTIONS.
- △ RECOMMENDED SPARE PARTS.
- △ LUBRICATE DAILY USING NO.20 MACH. OIL
- △ GREASE LIGHTLY.

| | | | | | |
|--|----------------|--------------------------------|-------------------|-------------|-----------|
| TERMINAL NAME: .187 FLAG FASTON RECEPTACLE | | | | | |
| - | 62817 | AMP TERMINAL - AMP CRIMP SPECS | | | |
| - | - | PAD LTR | CRIMP HEIGHT | WIRE SIZE | Ø SOLDER |
| - | - | A | .040 | 16 | - |
| - | - | B | .037 | 18 OR (2)20 | - |
| - | - | C | .035 | 20 | - |
| - | - | D | - | - | - |
| - | - | CRIMP | SIZE | TYPE | RANGE |
| - | - | WIRE | .140 | TAB LOC | 20-16 |
| - | - | INSUL | .220 | O | .170-.225 |
| WIRE STRIP LENGTH | TERM APPL SPEC | FEED | APPL INSTRUCTIONS | SET UP GAGE | LAYOUT |
| - | 114-2078 | .640 | A1 B037 | - | - |

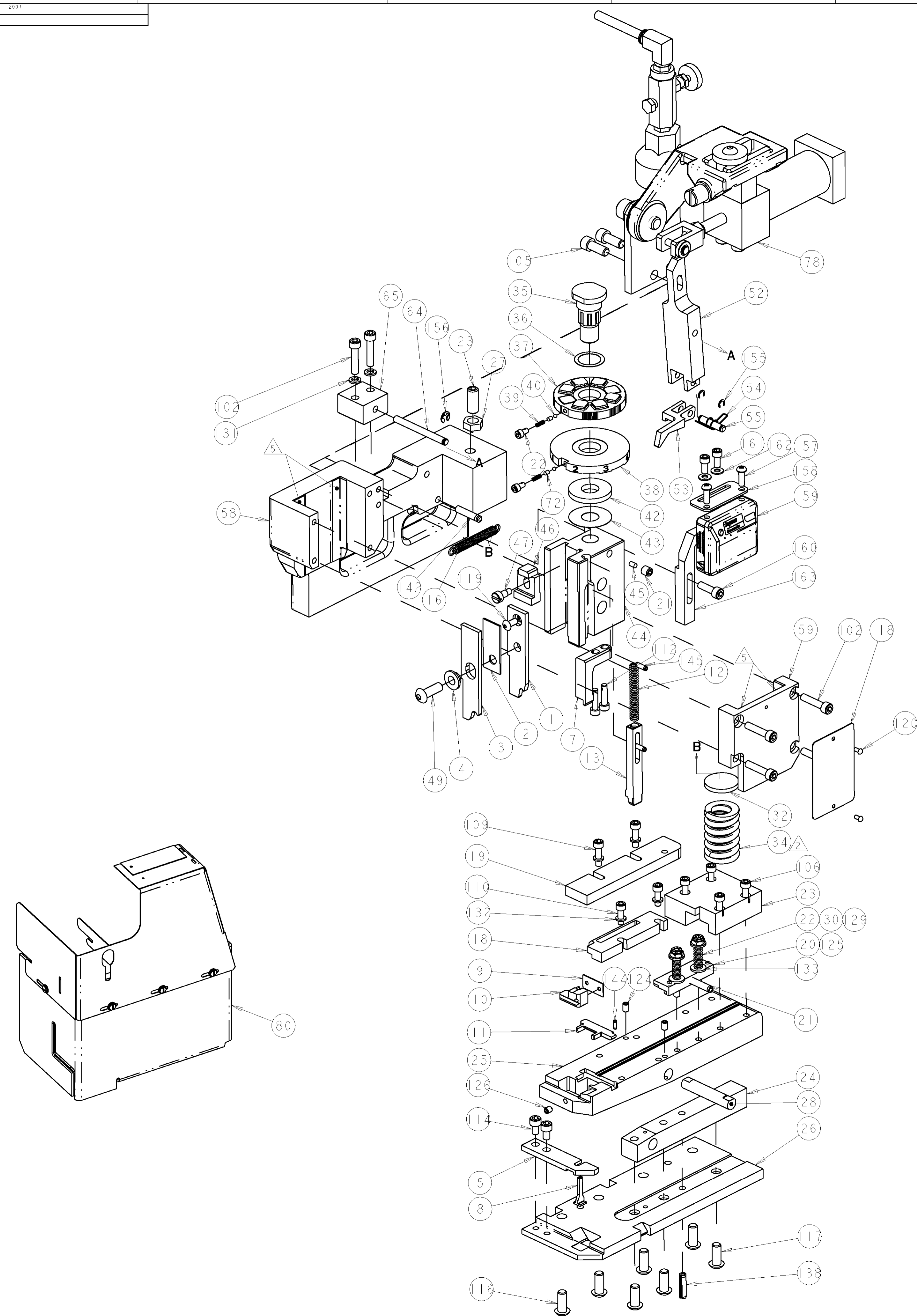
| LOC | DIST | REVISIONS | | | | |
|-----|------|-----------|---------------|-----------|-----|------|
| A | 66 | P LTR | DESCRIPTION | DATE | DWN | APVD |
| | | E | ECR-07-006533 | 27MAR2007 | BW | TE |

| | | | | |
|----|-----|------------|--------------------------------------|---------|
| 2 | - | 7-21000-6 | SCR, SKT HD CAP 10-32 X .312 | 114 |
| 2 | - | 1-23030-1 | SCR, SKT HD CAP, S-LOCK, 8-32 X .625 | 112 |
| 2 | - | 2-21000-7 | SCR, SKT HD CAP 8-32 X .500 | 110 |
| 2 | - | 2-21000-8 | SCR, SKT HD CAP 8-32 X .625 | 109 |
| 4 | - | 2-21000-9 | SCR, SKT HD CAP 8-32 X .750 | 106 |
| 2 | - | 21001-3 | SCR, SKT HD CAP 1/4-20 X .625 | 105 |
| 6 | - | 3-21000-8 | SCR, SKT HD CAP 10-32 X .875 | 102 |
| 1 | - | 457244-2 | GUARD ASSEMBLY | 80 |
| 1 | - | 457098-5 | AIR FEED ASSEMBLY | 78 |
| 1 | - | 694427-1 | PLATE, APPLICATOR, MOUNTING | 77 |
| 2 | - | 690603-1 | SPRING ASSIST AMP-O-MATOR APPLICATOR | 72 |
| 1 | - | 456987-1 | BLOCK, PIVOT | 65 |
| 1 | - | 457058-1 | PIN, PIVOT | 64 |
| 1 | - | 455164-1 | CAP, RAM | 59 |
| 1 | - | 457079-1 | HOUSING, MACHINING | 58 |
| 1 | - | 240624-1 | PIN, FEED FINGER | 55 |
| 1 | - | 691499-1 | SPRING-FEED FINGER | 54 |
| 1 | - | 454568-2 | FINGER, FEED | 53 |
| 1 | - | 457057-1 | PIVOT ARM | 52 |
| 1 | - | 3-21002-5 | SCR, BTN SKT HD CAP 1/4-20 X .750 | 49 |
| 1 | - | 22353-8 | SCR, SHLD, SLOT HD, 3/16 DIA | 47 |
| 1 | - | 690578-1 | INSULATION ADJUST BLOCK | 46 |
| 1 | - | 690191-1 | PLUG, NYLON | 45 |
| 1 | - | 454574-1 | RAM | 44 |
| 1 | - | 690125-1 | SHIM SUB-ASSY | 43 |
| 1 | - | 1-690124-1 | WASHER, RAM (.150) | 42 |
| 2 | - | 23241-6 | BALL, STEEL | 40 |
| 2 | - | 690170-1 | SPRING, COMPRESSION | 39 |
| 1 | - | 690142-1 | DISC, INSULATION | 38 |
| 1 | - | 8-690692-6 | DISC-WIRE CRIMP ADJUSTMENT | 37 |
| 1 | - | 22480-5 | WASHER, WAVE SPRING | 36 |
| 1 | - | 690212-1 | POST, RAM | 35 |
| 1 | - | 3-23846-5 | SPRING, DIE | 34 |
| 1 | - | 690573-1 | SPACER, SPRING | 32 |
| 2 | - | 22354-8 | STUD, THREADED | 30 |
| 1 | - | 690582-1 | PIN, HINGE | 28 |
| 1 | - | 684905-1 | PLATE, BASE | 26 |
| 1 | - | 454579-2 | BAR, HINGE | 25 |
| 1 | - | 690571-1 | STABILIZER | 24 |
| 1 | - | 690585-1 | BLOCK, SPRING PRESSURE | 23 |
| 2 | - | 23470-8 | SPRING, COMPRESSION | 22 |
| 1 | - | 21029-9 | PIN, SLOTTED SPRING .188 X 1.000 | 21 |
| 1 | - | 457093-3 | STOCK DRAG | 20 |
| 1 | - | 454573-1 | GUIDE, STRIP, REAR | 19 |
| 1 | - | 457090-3 | GUIDE, FRONT STRIP | 18 |
| 1 | - | 2-22287-6 | SPRING, EXTENSION | 16 |
| 1 | - | 692134-7 | TERMINAL POSITIONER | 13 |
| 1 | - | 5-22280-5 | SPRING, COMPRESSION | 12 |
| 1 | - | 454712-5 | PLATE, REAR SHEAR | 11 |
| 1 | - | 683641-1 | ANVIL, INSERT | 10 |
| 1 | - | 690569-2 | PLATE, SHEAR, FRONT | 9 |
| 1 | - | 690718-1 | ANVIL, REVERSIBLE | 8 |
| 1 | - | 454575-6 | BLADE, SHEAR | 7 |
| 1 | - | 684906-1 | ANVIL RETAINING | 5 |
| 1 | - | 690574-1 | SPACER, TUBULAR | 4 |
| 1 | - | 690764-1 | INSULATION CRIMPER | 3 |
| 1 | - | 681153-1 | SPACER, CRIMPER | 2 |
| 1 | - | 690716-3 | CRIMPER, WIRE PREMIUM | 1 |
| -1 | U/M | PART NO | DESCRIPTION | ITEM NO |

| | | | | |
|---|---|-----------|--|-----|
| 1 | - | 1976348-1 | L-BRACKET, COUNTER | 163 |
| 2 | - | 18028-2 | WASHER, FLAT, REG M4 | 162 |
| 2 | - | 2-21000-6 | SCR, SKT HD CAP 8-32 X .375 | 161 |
| 1 | - | 3-21000-6 | SCR, SKT HD CAP 10-32 X .625 | 160 |
| 1 | - | 1804300-1 | ASSEMBLY, APPLICATOR COUNTER | 159 |
| 1 | - | 1976349-1 | BRACKET, COUNTER | 158 |
| 2 | - | 994991-5 | SCREW, OVL HD, M4X12 | 157 |
| 1 | - | 1-21986-2 | RING, RETAIN, EXTERN, 3/16 E-RING | 156 |
| 2 | - | 21045-3 | RING, RETAIN, EXTERN, 3/16 CRESCENT | 155 |
| 2 | - | 4-21028-9 | PIN, SLOTTED SPRING .125 X .375 | 145 |
| 1 | - | 3-21028-2 | PIN, SLOTTED SPRING .094 X .250 | 144 |
| 1 | - | 3-22183-7 | PIN, GROOVED, TYPE 67 | 142 |
| 1 | - | 21029-5 | PIN, SLOTTED SPRING .188 X .750 | 138 |
| 4 | - | 1-21899-3 | WASHER, FLAT | 133 |
| 4 | - | 21024-4 | WASHER, SPRG LOCK, REG NO 8 | 132 |
| 2 | - | 21024-5 | WASHER, SPRG LOCK, REG NO 10 | 131 |
| 2 | - | 21022-2 | NUT, HEX, SELF-LOCKING, THIN, 8-32 | 129 |
| 1 | - | 1-22202-7 | NUT, HEX, JAM 5/16-24/UNF | 127 |
| 1 | - | 21061-9 | SCR, SET, CONE POINT 8-32 X .250 | 126 |
| 2 | - | 3-21012-1 | SCREW, SKT SET (6-32x.38) | 125 |
| 2 | - | 4-21006-0 | SCR, SET, CUP POINT 8-32 X .250 | 124 |
| 1 | - | 8-21007-5 | SCR, SET, CUP POINT 5/16-24 X .750 | 123 |
| 2 | - | 23030-1 | SCR, SKT HD CAP, S-LOCK, 6-32 X .25 | 122 |
| 1 | - | 21009-2 | SCR, SET, SELF LOCKING 1/4-20 X .250 | 121 |
| 2 | - | 21017-2 | SCREW, DRIVE | 120 |
| 1 | - | 2-21002-1 | SCR, BTN SKT HD CAP 8-32 X .375 | 119 |
| 1 | - | 461264-1 | PLATE, IDENTIFICATION | 118 |
| 3 | - | 3-21002-4 | SCR, BTN SKT HD CAP 1/4-20 X .625 | 117 |
| 4 | - | 2-22733-8 | SCR, BHSC, SELF-LOCKING, 1/4-20 X .625 | 116 |

| | | | | | | | |
|-------------|--|--|--|-------------------------|--|--|--|
| DIMENSIONS: | | TOLERANCES UNLESS OTHERWISE SPECIFIED: | | DWN | | TYCO | |
| IN | | 0 PLC ± | | ED WEAVER 07FEB2007 | | Tyco Electronics | |
| Ø | | 1 PLC ± | | CHK T. ELBIN 07FEB2007 | | Harrisburg, PA 17105-3608 | |
| H | | 3 PLC ± | | APVD T. ELBIN 07FEB2007 | | Electronics | |
| MATERIAL | | FINISH | | PRODUCT SPEC | | NAME | |
| - | | - | | - | | APPLICATOR, HINGE BAR, .187 FLAG FASTON RECEPTACLE | |
| - | | - | | APPLICATION SPEC | | SIZE | |
| - | | - | | - | | A100779C=466799-2 | |
| - | | - | | WEIGHT | | SCALE | |
| - | | - | | - | | 1:1 SHEET 1 OF 2 | |
| - | | - | | CUSTOMER DRAWING | | REV E | |

| LOC | | DIST | | REVISIONS | | | |
|-----|----|------|-----|-------------|------|-----|------|
| A | 66 | P | LTR | DESCRIPTION | DATE | DWN | APVD |
| | | - | - | SEE SHEET 1 | - | - | - |
| | | | | | | | |



| | | | |
|--|--|--|--|
| <small>THIS DRAWING IS UNPUBLISHED. RELEASED FOR PUBLICATION 2007. ALL RIGHTS RESERVED. THIS DRAWING IS THE PROPERTY OF TYCO ELECTRONICS CORPORATION. IT IS TO BE USED ONLY FOR THE PURPOSES AND ORGANIZATION SPECIFIED BY THE CUSTOMER. ANY OTHER USE IS STRICTLY PROHIBITED.</small> | | DWN: B. WEAVER 07FEB2007 CHK: T. ELBIN 07FEB2007 APVD: T. ELBIN 07FEB2007 | tyco Tyco Electronics Harrisburg, PA 17105-3608 |
| DIMENSIONS: IN | | TOLERANCES UNLESS OTHERWISE SPECIFIED: 0 PLC ± 1 PLC ± 3 PLC ± 4 PLC ± ANGLES ± | NAME: APPLICATOR, HINGE BAR, .187 FLAG FASTON RECEPTACLE PRODUCT SPEC: APPLICATION SPEC: SIZE: CAGE CODE DRAWING NO: A100779C-466799-2 WEIGHT: CUSTOMER DRAWING SCALE: 3:5 SHEET 2 OF 2 REV E |

CUSTOMER VIEWABLE ASSEMBLY