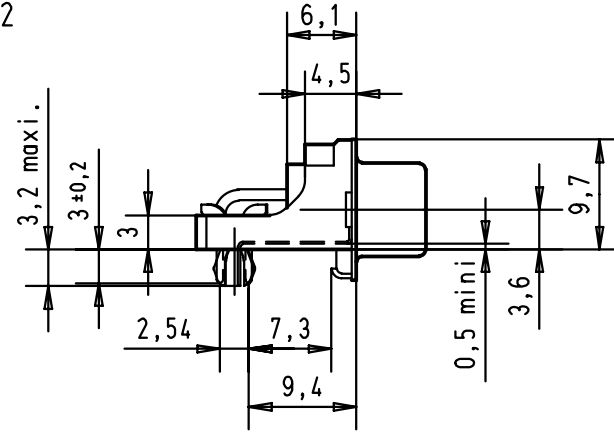
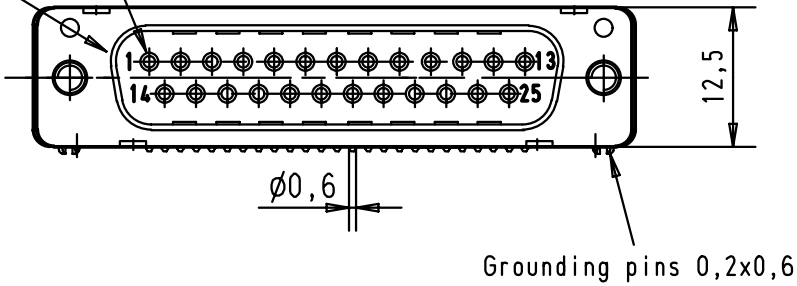


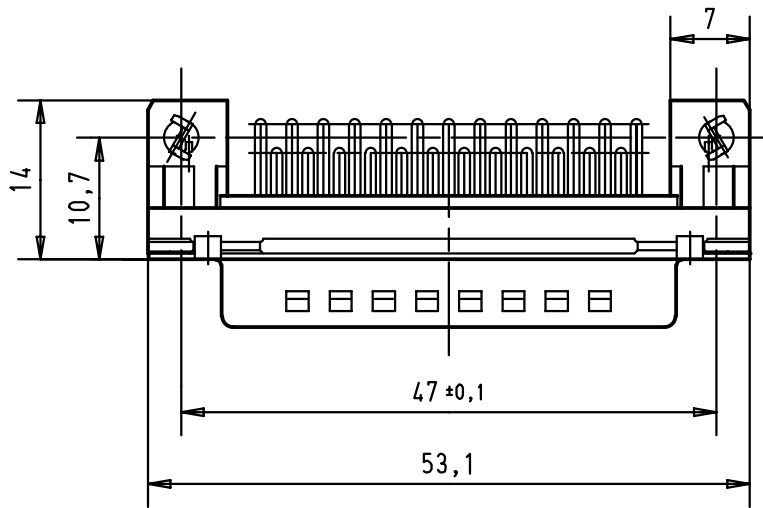
5 4 3 2 1

Mating face according to MIL-C-24308 / DIN 41 652 / CECC 75301-802

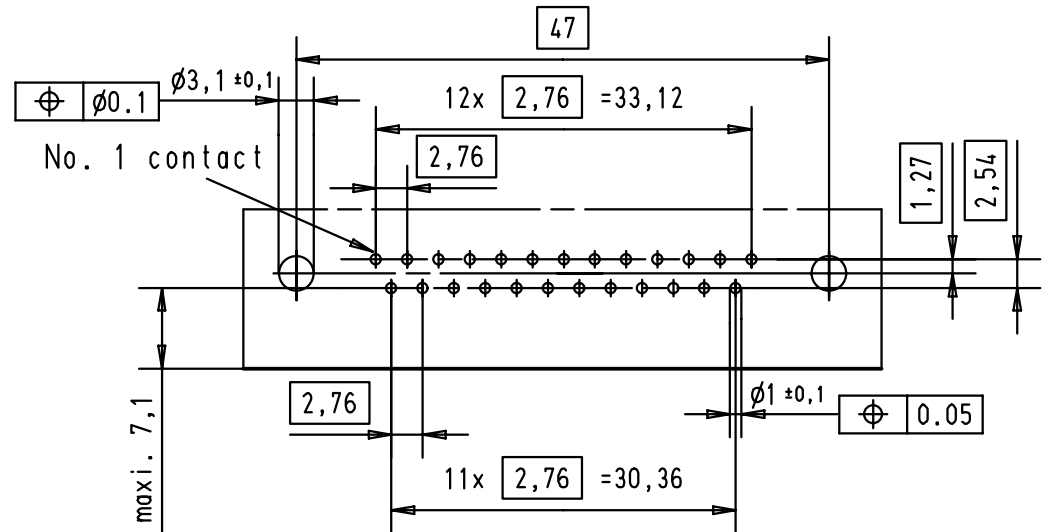
No. 1 contact




Printed board layout (1,6±0,2 thick)
View component side
(PCB plating = Tin)



Mounting force on Printed board : 25 - 80 N



A	09 66 362 6815	M3	2						 <p>All Dim. in mm Orig. Size DIN A 4</p>	D-Sub male low profile 25 poles with solder pins, nuts, board lock and grounding pins	Maßstab/ Scale 1,5:1
	09 66 362 7815	M3	3								
	09 66 362 5815	M3	0,76 µm Au								
	09 66 362 6816	4-40 UNC	2								
	09 66 362 7816	4-40 UNC	3								
	09 66 362 5816	4-40 UNC	0,76 µm Au	29733	23-NOV-01	JB					
	Part number	nut thread	Performance level	Mod.	Dat.	Name	HARTING EURL F-95972 Paris			TB 09 66 362 X81x Sub.	Blatt/ Page 4