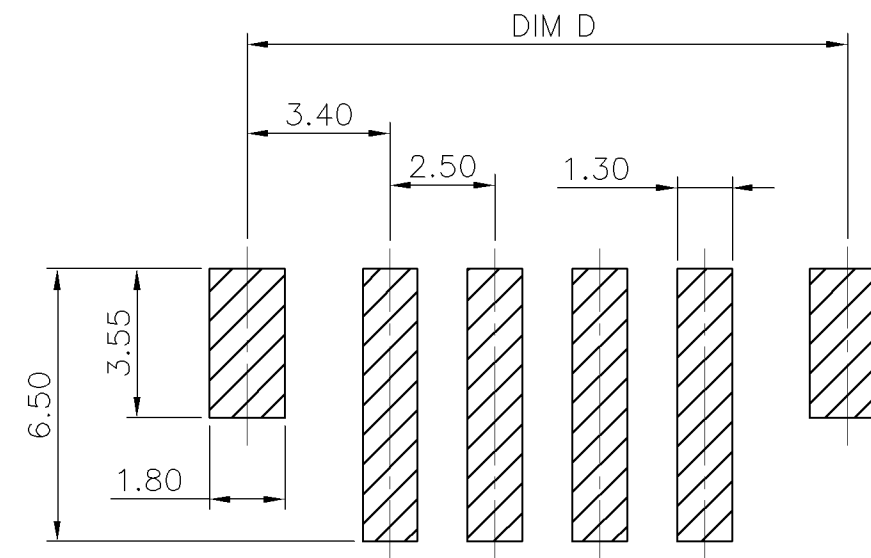
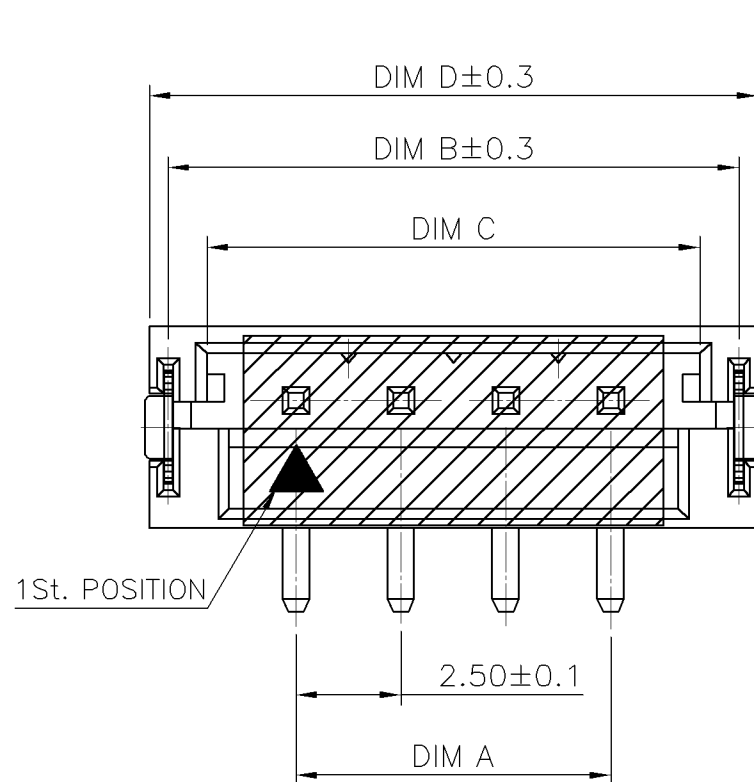
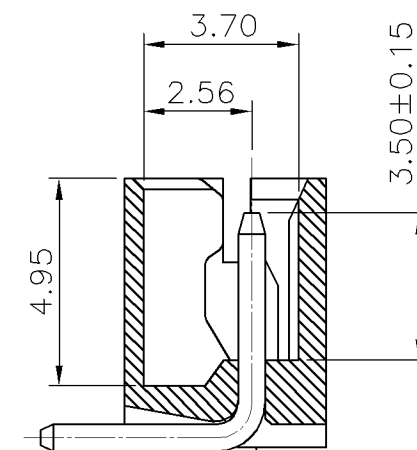
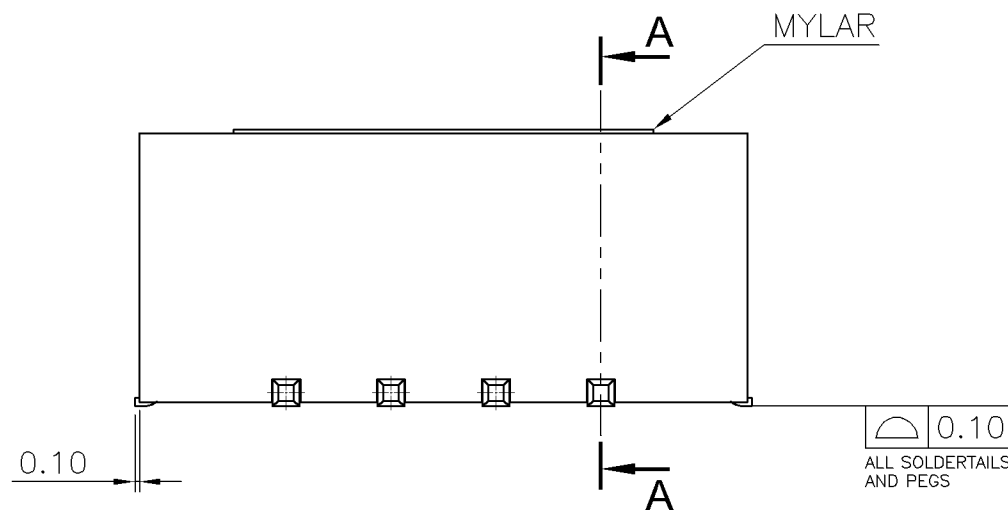
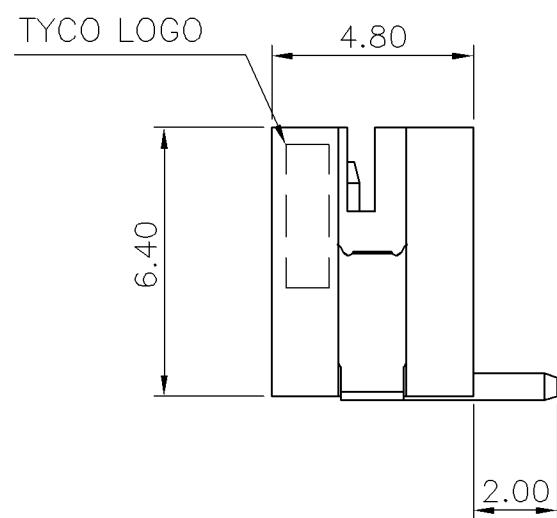


THIS DRAWING IS UNPUBLISHED. RELEASED FOR PUBLICATION  
 © COPYRIGHT BY TYCO ELECTRONICS CORPORATION. ALL RIGHTS RESERVED.

| LOC | DIST | REVISIONS   |         |     |      |
|-----|------|-------------|---------|-----|------|
| P   | LTR  | DESCRIPTION | DATE    | DWN | APVD |
| DW  | —    | RELEASED    | 12JAN06 | OH  | WK   |



RECOMMENDED PCB LAYOUT



SECTION A-A

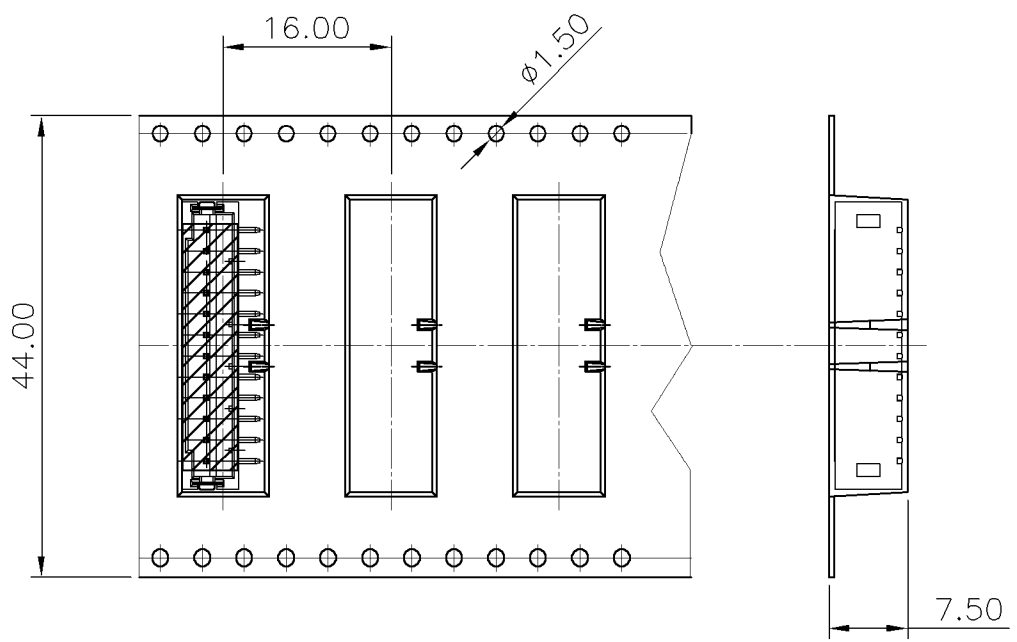
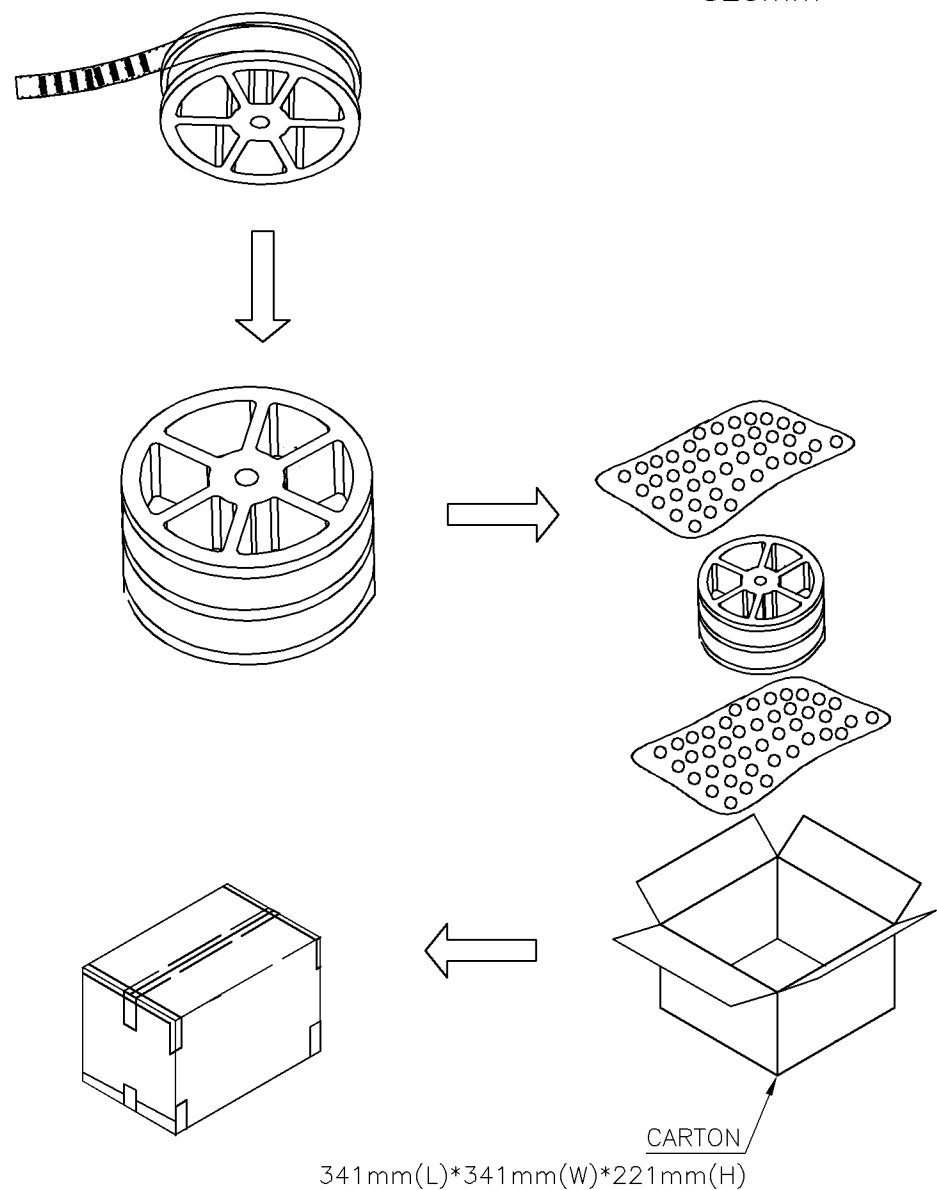
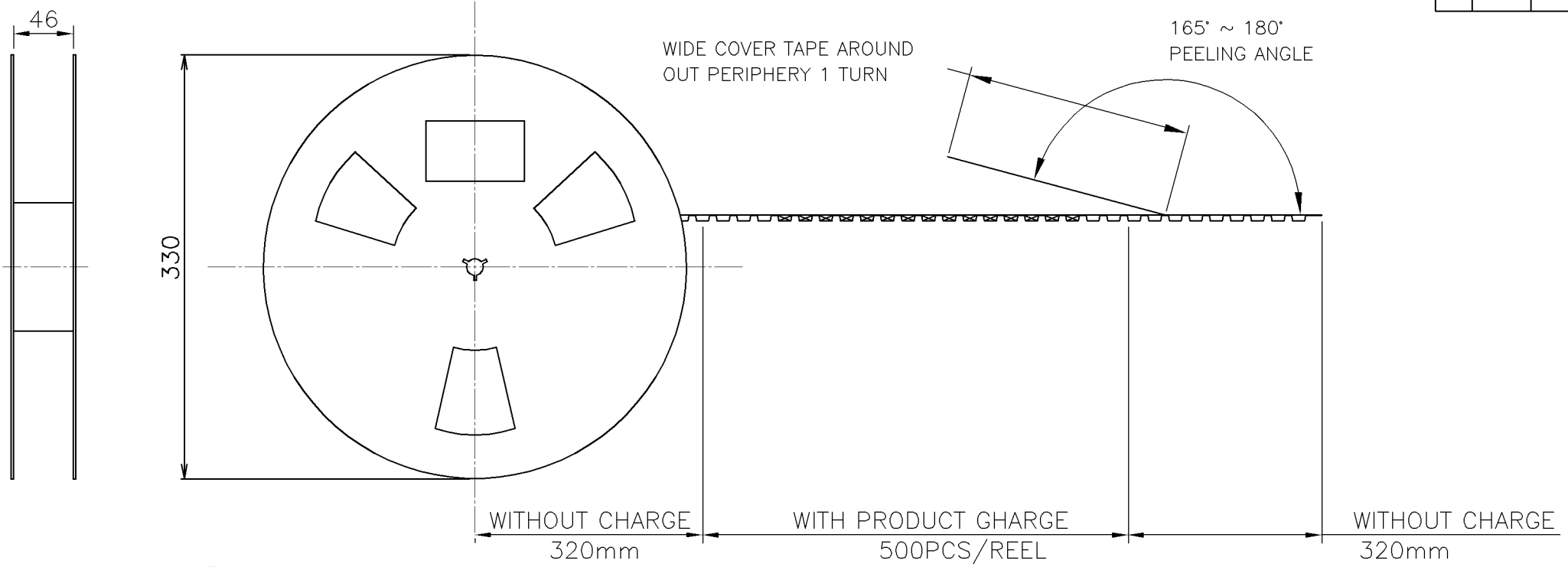
| DIM D | DIM C | DIM B | DIM A | POS. | PART NUMBER |
|-------|-------|-------|-------|------|-------------|
| 42.0  | 39.2  | 41.1  | 35.00 | 15   | 1-1775317-5 |
| 39.5  | 36.7  | 38.6  | 32.50 | 14   | 1-1775317-4 |
| 37.0  | 34.2  | 36.1  | 30.00 | 13   | 1-1775317-3 |
| 34.5  | 31.7  | 33.6  | 27.50 | 12   | 1-1775317-2 |
| 32.0  | 29.2  | 31.1  | 25.00 | 11   | 1-1775317-1 |
| 29.5  | 26.7  | 28.6  | 22.50 | 10   | 1-1775317-0 |
| 27.0  | 24.2  | 26.1  | 20.00 | 9    | 1775317-9   |
| 24.5  | 21.7  | 23.6  | 17.50 | 8    | 1775317-8   |
| 22.0  | 19.2  | 21.1  | 15.00 | 7    | 1775317-7   |
| 19.5  | 16.7  | 18.6  | 12.50 | 6    | 1775317-6   |
| 17.0  | 14.2  | 16.1  | 10.00 | 5    | 1775317-5   |
| 14.5  | 11.7  | 13.6  | 7.50  | 4    | 1775317-4   |
| 12.0  | 9.2   | 11.1  | 5.00  | 3    | 1775317-3   |
| 9.5   | 6.7   | 8.6   | 2.50  | 2    | 1775317-2   |

- NOTE:
- MATERIAL:  
HOUSING: PA9T, VIRGIN, UL 94V-0, COLOR: NATURAL.  
CONTACTS: BRASS.
  - FINISH:  
CONTACTS: 2.0µm [80µ"] MIN. MATTE-TIN OVER 1.27µm [50µ"] MIN.  
NICKEL ON ENTIRE CONTACT.
  - REFLOW SOLDER CAPABLE TO 260°C PER TYCO TEST SPEC.  
109-201, CONDITION B.

|   |  |  |  |                    |                         |
|---|--|--|--|--------------------|-------------------------|
| THIS DRAWING IS A CONTROLLED DOCUMENT.  |  | DWN<br>O. HU<br>10JAN2006              | Tyco Holdings (Bermuda) VII Ltd. Taiwan Branch |                    |                         |
| DIMENSIONS: MM  |  | CHK<br>S. HOU<br>10JAN2006             |  |                    |                         |
| TOLERANCES UNLESS OTHERWISE SPECIFIED:  |  | APVD<br>W.J. KE<br>10JAN2006           | NAME   |                    |                         |
| 0 PLC ± -<br>1 PLC ± 0.25<br>2 PLC ± 0.15<br>3 PLC ± 0.05<br>4 PLC ± -<br>ANGLES ± 3° |  | PRODUCT SPEC<br>108-57099              | HPI CONN., 2.5MM PITCH V/T, SMT TYPE           |                    |                         |
| MATERIAL<br>SEE NOTE  |  | QUALIFICATION TEST REPORT<br>501-57057 | SIZE<br>A3                                     | CAGE CODE<br>00779 | DRAWING NO<br>C=1775317 |
| FINISH<br>SEE NOTE  |  | WEIGHT<br>--                           | RESTRICTED TO<br>-                             |                    |                         |
| CUSTOMER DRAWING  |  |  | SCALE<br>-                                     | SHEET<br>1 OF 2    | REV<br>A                |

THIS DRAWING IS UNPUBLISHED. RELEASED FOR PUBLICATION  
 © COPYRIGHT BY TYCO ELECTRONICS CORPORATION. ALL RIGHTS RESERVED.

| LOC | DIST | REVISIONS |     |              |      |     |      |
|-----|------|-----------|-----|--------------|------|-----|------|
| DW  | —    | P         | LTR | DESCRIPTION  | DATE | DWN | APVD |
|     |      |           |     | SEE SHEET 1. |      |     |      |



| 1,500      | 500      | 15   | 1-1775317-5 |
|------------|----------|------|-------------|
| 1,500      | 500      | 14   | 1-1775317-4 |
| 1,500      | 500      | 13   | 1-1775317-3 |
| 1,500      | 500      | 12   | 1-1775317-2 |
| 1,500      | 500      | 11   | 1-1775317-1 |
| 2,000      | 500      | 10   | 1-1775317-0 |
| 2,000      | 500      | 9    | 1775317-9   |
| 2,000      | 500      | 8    | 1775317-8   |
| 2,000      | 500      | 7    | 1775317-7   |
| 2,500      | 500      | 6    | 1775317-6   |
| 2,500      | 500      | 5    | 1775317-5   |
| 2,500      | 500      | 4    | 1775317-4   |
| 2,500      | 500      | 3    | 1775317-3   |
| 2,500      | 500      | 2    | 1775317-2   |
| PCS/CARTON | PCS/REEL | POS. | PART NUMBER |

|   |  |                        |  |               |
|---|--|------------------------|--|---------------|
| THIS DRAWING IS A CONTROLLED DOCUMENT.                                      |  | DWN O. HU 10JAN2006    | Tyco Holdings (Bermuda) VII Ltd. Taiwan Branch |               |
| DIMENSIONS: MM  |  | CHK S. HOU 10JAN2006   |  |               |
| TOLERANCES UNLESS OTHERWISE SPECIFIED:                                      |  | APVD W.J. KE 10JAN2006 | NAME   |               |
| 0 PLC ± -<br>1 PLC ± -<br>2 PLC ± -<br>3 PLC ± -<br>4 PLC ± -<br>ANGLES ± - |  | PRODUCT SPEC           | HPI CONN., 2.5MM PITCH V/T, SMT TYPE           |               |
| MATERIAL  |  | APPLICATION SPEC       | SIZE A3  | CAGE CODE     |
| FINISH  |  | WEIGHT                 | DRAWING NO C-1775317                           | RESTRICTED TO |
| CUSTOMER DRAWING  |  |                        | SCALE -  | SHEET 2 OF 2  |
|   |  |                        | REV A  |               |