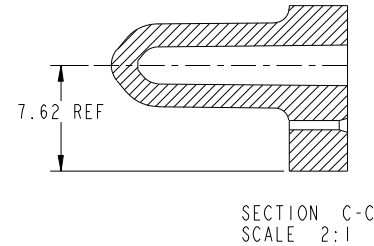
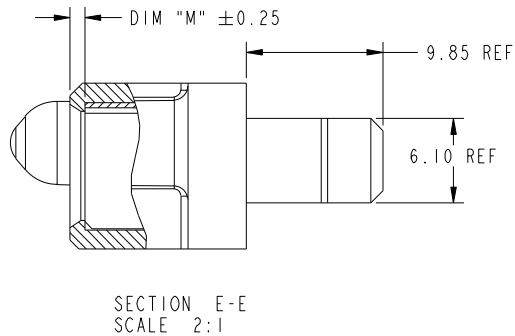
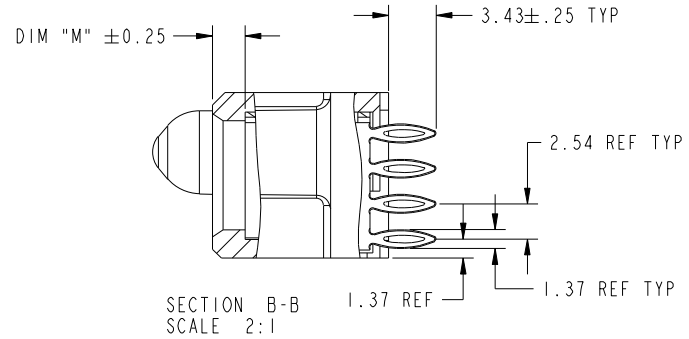
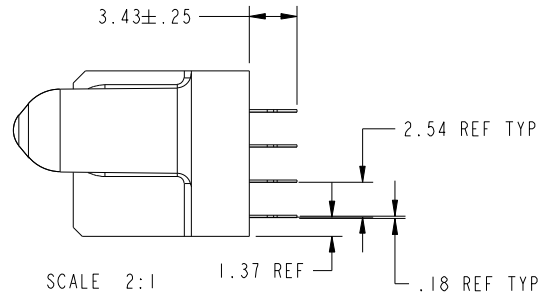


Tous droits strictement reserves. Reproduction ou communication a des tiers interdite sous quelque forme que ce soit sans autorisation écrite du propriétaire. Propriete de c FCI. Droits de reproduction FCI.

All rights strictly reserved. Reproduction or issue to third parties in any form whatever is not permitted without written authority from the proprietor. Property of FCI. Copyright FCI.



PRODUCT NUMBER
51897-016--
NOTE ③



mat'l code				SEE NOTE 2	tolerances unless otherwise specified		CUSTOMER		FCI		
ltr	ecn no.	dr	date	linear	0.X ± 0.3	projection	COPY		www.fciconnect.com		
A					0.XX ± 0.13			title		1M + 8P + 1M + 28S + 14P	
					0.XXX ± 0.051			VERTICAL PF RECEPT CABLE PORT		product family	
					angles		0° ± 2°	MIM		PwrBlade	
				dr	JM GUO 10/26/06	scale	size		dwg no		
				engr	RYAN YUAN 10/26/06		A		51897-016		sheet
				chr	BEER FU 10/26/06		1:1				2 of 4
				appd	JOSEPH HISA 10/26/06						
sheet index		revision sheet									

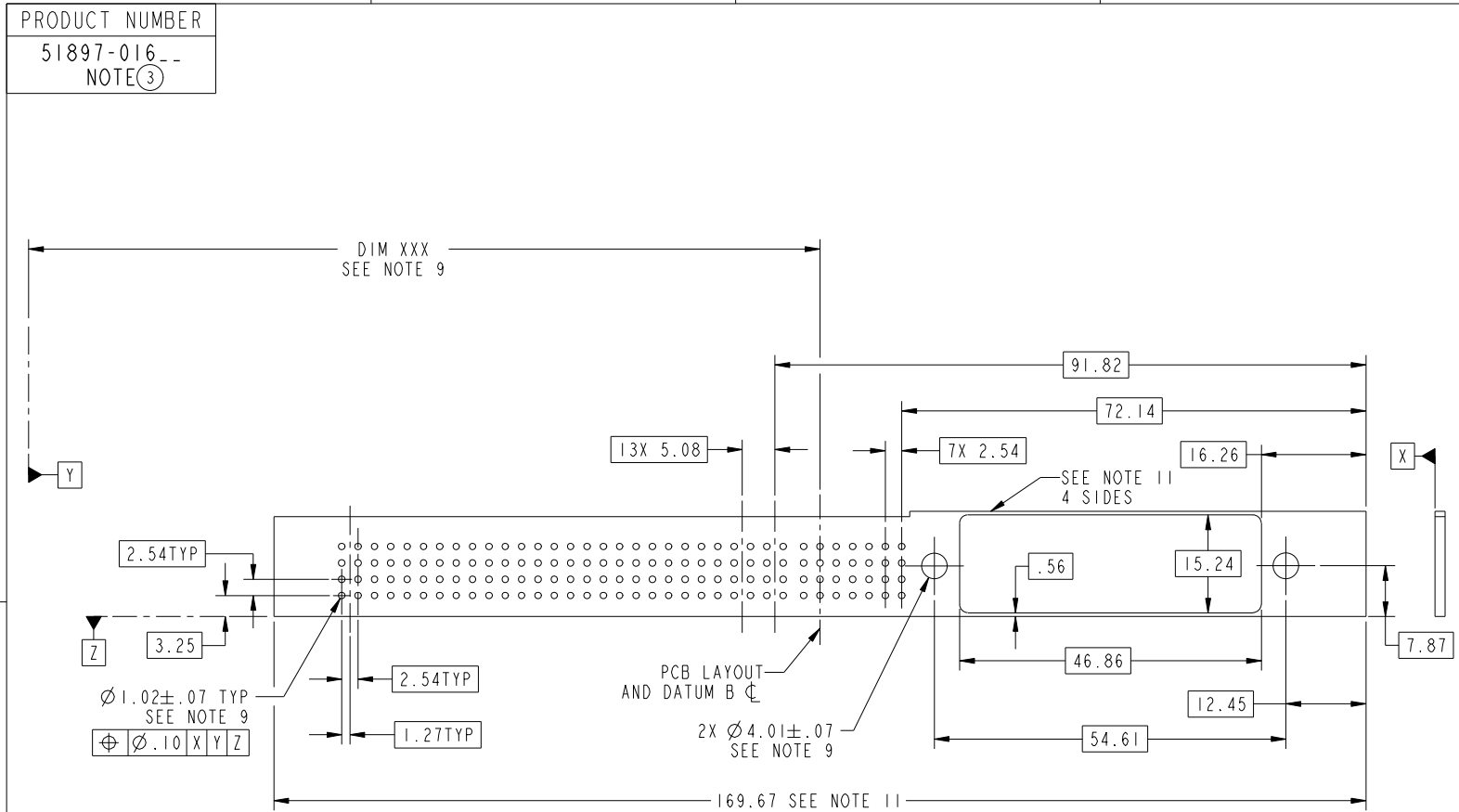
cage code 22526

Pro/E

Tous droits strictement reserves. Reproduction ou communication a des tiers interdite sous quelque forme que ce soit sans autorisation écrite du propriétaire. Propriete de c FCI. Droits de reproduction FCI.



All rights strictly reserved. Reproduction or issue to third parties in any form whatever is not permitted without written authority from the proprietor. Property of FCI. Copyright FCI.



mat'l code		SEE NOTE 2		tolerances unless otherwise specified		CUSTOMER		FCI	
ltr	ecn no.	dr	date	linear	0.X ± 0.3	COPY		www.fciconnect.com	
A					0.XX ± 0.13	projection		title	
				angles	0.XXX ± 0.051			1M + 8P + 1M + 28S + 14P VERTICAL PF RECEPT CABLE PORT	
				dr	0° +2°	MIM		product family	
				enr	JM GUO 10/26/06			PwrBlade	
				chr	RYAN YUAN 10/26/06	size		code	
				appd	BEER FU 10/26/06	A		213	
					JOSEPH HISA 10/26/06	scale		sheet	
						1:1		3 of 4	
sheet index	revision sheet							3 of 4	

cage code 22526

Pro/E

Tous droits strictement réservés. Reproduction ou communication a des tiers interdite sous quelque forme que ce soit sans autorisation écrite du propriétaire. Propriété de c FCI. Droits de reproduction FCI.



All rights strictly reserved. Reproduction or issue to third parties in any form whatever is not permitted without written authority from the proprietor. Property of FCI. Copyright FCI.

PRODUCT NUMBER
51897-016--
NOTE ③

NOTES:

1. DIMENSIONS AND TOLERANCES ARE IN ACCORDANCE WITH ASME Y14.5M, 1994 UNLESS OTHERWISE SPECIFIED.

CONNECTOR NOTES:

- ② HOUSING MATERIAL: UL 94 V-0 GLASS FILLED
HIGH-TEMP THERMOPLASTIC
POWER CONTACT MATERIAL: COPPER ALLOY
SIGNAL PIN MATERIAL: COPPER ALLOY
- 3. 51897-016;51897-016LF PLATING SPEC. SEE PRINT:10064183
- ④ MANUFACTURER'S NAME, P/N, AND DATE CODE TO APPEAR ON THIS SURFACE.
- 5. PRODUCT SPECIFICATION GS-12-149.
APPLICATION SPECIFICATION BUS-20-067.
- 6. PACKAGED IN TRAYS.

PCB NOTES:

- 7. ALL HOLE DIAMETERS ARE FINISHED HOLE SIZE.
- ⑧ MOUNTING HOLES, WHERE APPLICABLE, ARE UNPLATED.
- ⑨ $\varnothing 1.151 \pm 0.025$ DRILLED HOLES PLATED WITH
0.008 MIN SnPb OR Sn OVER 0.03
TO 0.08 Cu PLATING TO ACHIEVE
 $\varnothing 1.02 \pm .07$ HOLE.
- ⑩ "DIM XXX" TO BE DETERMINED BY THE CUSTOMER.
- ⑪ CONNECTOR KEEP-OUT ZONE.

mat'l code		SEE NOTE 2		tolerances unless otherwise specified		CUSTOMER		FCI		www.fciconnect.com	
ltr	ecr no.	dr	date	linear	0.X ± 0.3	COPY		projection	title IM + 8P + 1M + 28S + 14P VERTICAL PF RECEPT CABLE PORT		
A					0.XX ± 0.13	MIM					
				angles	0.XXX ± 0.051	← MIM →					
				dr	0° ± 2°	scale		product family PwrBlade		code 213	
				enr	JM GUO 10/26/06	1:1		size		sheet 4 of 4	
				chr	RYAN YUAN 10/26/06	A		dwg no		51897-016	
				appd	BEER FU 10/26/06			sheet		4 of 4	
					JOSEPH HISA 10/26/06			sheet		4 of 4	
sheet index	revision sheet										

cage code 22526

Pro/E