



UG245: CP2114 Evaluation Kit User's Guide

The CP2114 evaluation kits are designed to showcase the various features of the CP2114 USBXpress® devices.

The CP2114 simplifies the process of transferring audio data from USB to I2S without any code development, speeding time to market for USB audio accessories such as USB speakers, USB headphones and USB music boxes, as well as VoIP systems. The CP2114 includes a USB 2.0 full-speed function controller, USB transceiver, oscillator, I2S (audio) interface, I2C (control) interface and UART interface in a compact 5 x 5 mm QFN-32 package ideal for space-constrained portable audio applications.

There are four CP2114 kits, and this document applies to all kits.

KEY FEATURES

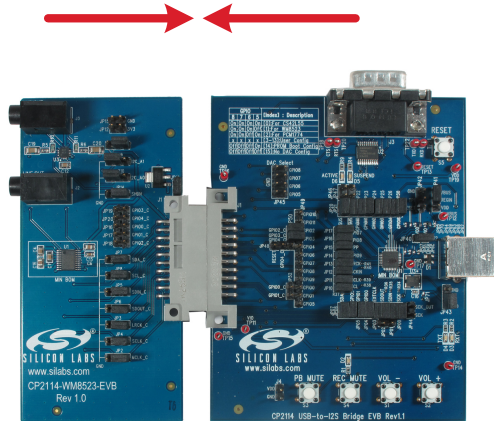
- All CP2114 pins routed to headers for easy interface to external hardware
- External 48 MHz clock oscillator (supports dual-clock configurations)
- Switches for controlling Playback Volume/ Mute, Record Mute
- UART interface: logic level or RS-232 (DB-9P)
- Status LEDs: Record Mute, UART activity, USB Active/Suspend mode
- Config Select header: easy to select between multiple configurations
- All required cables included. CODEC/DAC kits also contain headphones.

Kit Name	Components
CP2114-EK	<ul style="list-style-type: none">• CP2114 evaluation board• USB cable• RS-232 serial cable
CP2114-CS42L55EK	<ul style="list-style-type: none">• CP2114 evaluation board• Daughter card with Cirrus Logic CS42L55 CODEC• Ear bud headphones• Audio cable (3.5 mm male to male)• USB Cable• RS-232 serial cable
CP2114-WM8523EK	<ul style="list-style-type: none">• CP2114 evaluation board• Daughter card with Cirrus Logic WM8523 DAC• Ear bud headphones• USB Cable• RS-232 serial cable
CP2114-PCM1774EK	<ul style="list-style-type: none">• CP2114 evaluation board• Daughter card with Texas Instruments PCM1774 DAC• Ear bud headphones• USB Cable• RS-232 serial cable

1. Getting Started

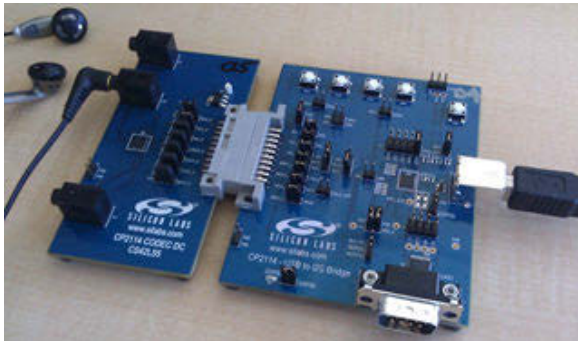
1.1 Getting Started with Windows

1. Connect the CP2114 evaluation board to the daughter card.



2. Connect headphones and/or powered speakers to the appropriate daughtercard connector:

- HP OUT: headphone output
- LINE OUT: line output (to powered speakers)
- HP/LINE OUT (WM8523 daughtercard only): common connector for headphone or line output.

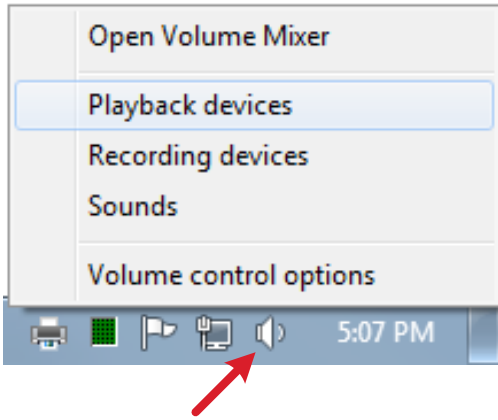


3. Connect the USB cable to the CP2114 evaluation board (J2). Next, connect the other end of the USB cable directly to the host computer.

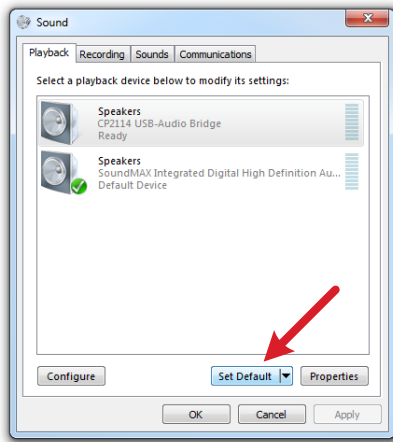
Note: Do not use a USB hub.



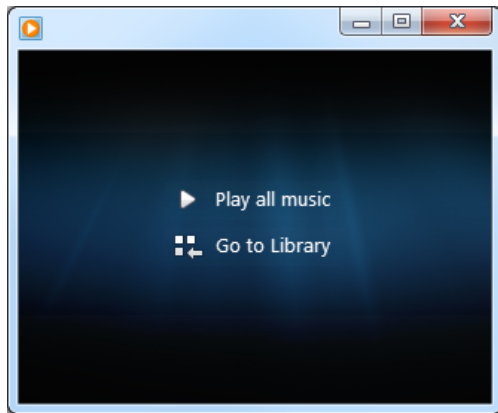
4. Right-click on the **[Speakers]** icon in the Windows Systems Tray and left-click **[Playback devices]**.



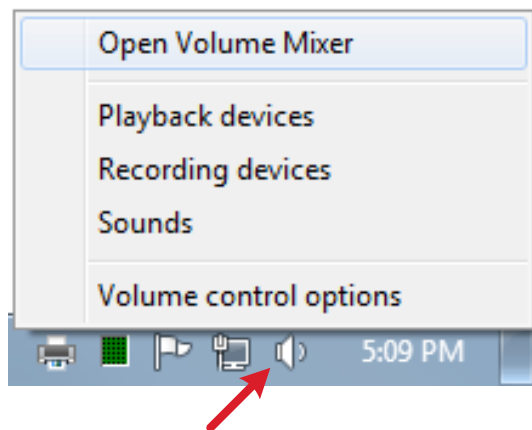
5. Select [**CP2114 USB-Audio Bridge**], click [**Set Default**] button. Next, verify the CP2114 is checked as the default playback device.



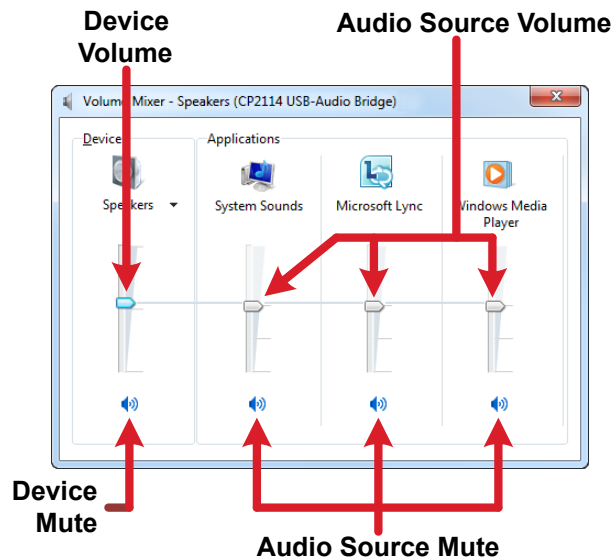
6. Play audio from the host computer using any media player application and verify high-quality audio from the headphones or powered speakers attached to the daughter card.



7. To adjust the volume or mute, right-click on the [**Speakers**] icon and left-click [**Open Volume Mixer**].

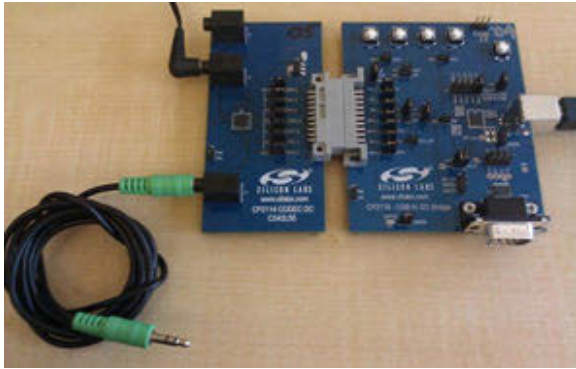


8. Set volume and mute. Volume and mute can be controlled in two ways, and both methods are supported by the CP2114.
- Device Volume and Mute: this control sends USB volume and mute control messages to the device. Generally, this will adjust the volume control of the DAC in hardware using I2C writes.
 - Audio Source Volume and Mute: these controls scale the audio signal sent over USB and can be set individually. The CP2114 volume can be set with these controls.



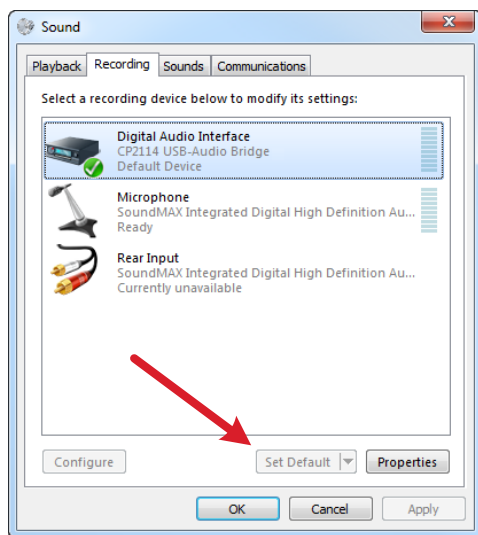
9. To set up the audio input, connect a powered microphone or line-level analog audio source to the analog In (AIN) connector (P2).

Note: Audio Input is supported only on the CS42L55 daughtercard, not the WM8523 and PCM1774 daughtercards. Although the PCM1774 daughtercard has an ANALOG IN jack, this audio is not digitized and sent to the host because the PCM1774 is a DAC-only device. The PCM1774 has the ability to mix the ANALOG IN signal with the analog output produced by its DAC.



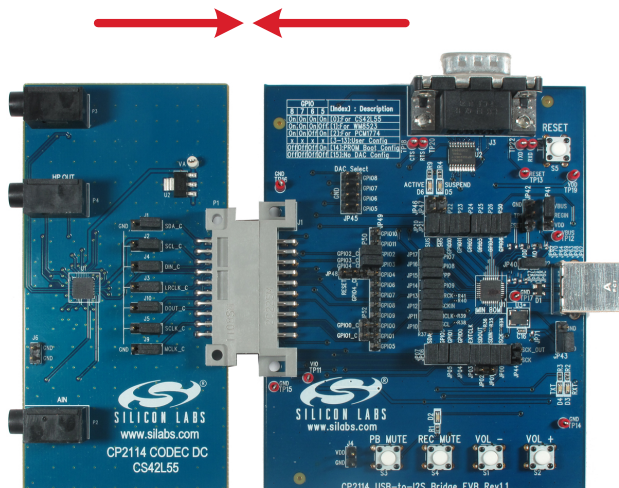
10. Right-click on the **[Speakers]** icon and left-click on **[Recording devices]**.

Open a recorder application to record the audio input or listen in real time by selecting **[Properties]** and checking the **[Listen to this device]** button. Select the CP2114 from the **[Playback through this device]** drop-down to select full loop testing.

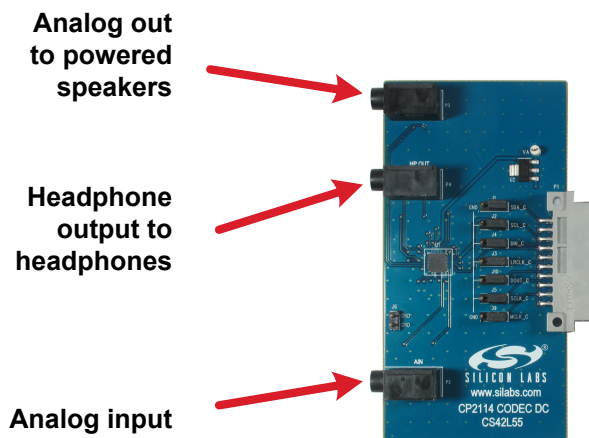


1.2 Getting Started with Mac OSX

1. Connect the CP2114 evaluation board to the daughter card.



2. Connect the analog out jack (P3) to powered speakers or the headphone output (P4) to headphones. Connect a sound source to the analog input jack (P2).



3. Connect one end of the USB cable to the CP2114 evaluation board and the other end to the Mac.



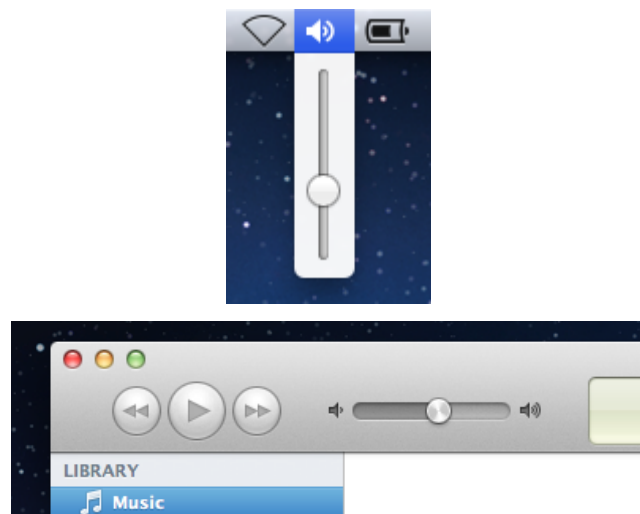
4. Hold Option and click the speaker icon. Select the CP2114 as the sound output and the input device for the Mac.

You can now play (audio out) or record (audio in) through the CP2114.



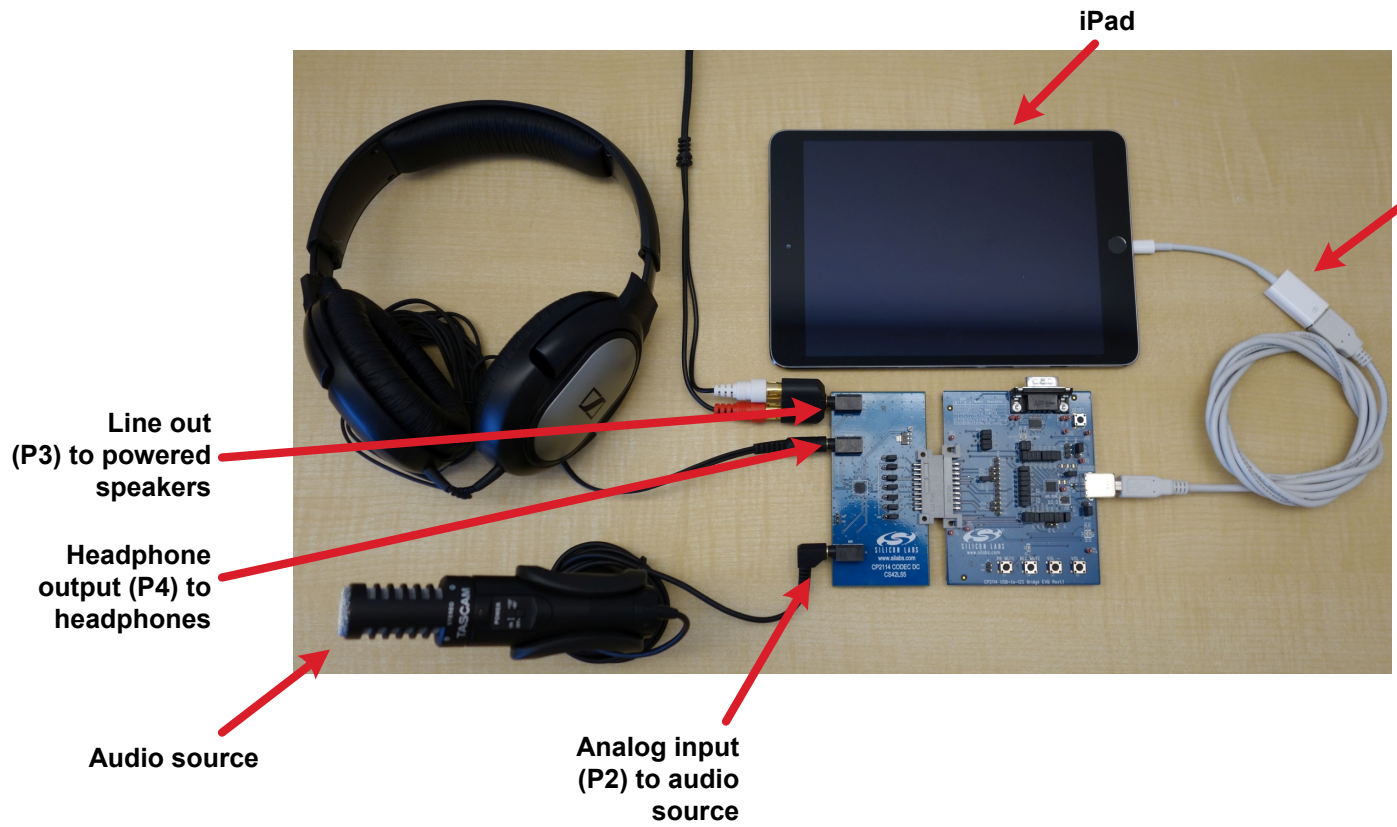
5. There are two methods to adjust volume.

- a. Mac TaskBar—This sends USB Audio Class “Set” volume messages over USB to the CP2114. The CP2114 forwards these volume adjustments to the DAC via I2C and the DAC adjusts the gain. Currently, volume adjustments are sent to both the DAC headphone output and the line-out output.
- b. iTunes Volume—This causes the Mac to directly scale the audio samples that are sent over USB. It does not send USB Audio class volume messages. This volume affects both headphone and line-out volumes.



1.3 Getting Started with an iOS Device

1. Connect the CP2114 Motherboard and Daughtercard together.
2. Connect the LINE OUT jack (P3) to powered speakers and/or the HP OUT jack (P4) to headphones.
3. Connect an analog audio source to the AIN jack (P2). The audio source can be an iPod, iPhone, MP3 player, CD player, stereo microphone, etc.
4. Connect a Lightning-to-USB Camera Adapter to the CP2114 EVB and iPad. It is not necessary to manually select the CP2114 as the playback device; whenever a CP2114 is connected to the iPad, the audio data will be automatically routed to the CP2114.
5. To demonstrate CP2114 audio output, open an iOS application that plays audio files (e.g. iPod, iTunes, etc.) and play an audio file. The audio should be present on the headphone HP OUT (headphone) and LINE OUT jacks.
6. Adjusting the App volume slider sends USB Audio Class "Set" volume messages over USB to the CP2114. The CP2114 forwards these volume adjustments to the DAC via I2C and the DAC adjusts the gain.
7. To demonstrate CP2114 audio input, open an iPad application that records audio files (e.g. GarageBand, QuickVoice, etc.). Begin recording, then play audio on the audio source.



2. Relevant Documentation

The following documents are applicable to CP2114 devices:

- *AN721: CP210x/CP211x Device Customization Guide* — This application note guides developers through the configuration process of USBXpress devices.
- *AN433: CP2110/4 HID-to-UART API Specification* — This application note describes the Application Programming Interface (API) of the dynamic libraries provided by Silicon Labs. Using these dynamic libraries is the quickest and easiest way to develop custom software applications for the CP2114.
- *AN434: CP2110/4 Interface Specification* — This application note describes the CP2114 device interface, i.e. the format of the USB vendor-specific reports used to configure and control the CP2114. This document can be used as a debugging resource, or to develop custom software applications on environments for which no dynamic library is provided.
- CP2114 Data Sheet
- CP2114 Evaluation Kit User's Guide (this document)
- CP2114 Quick Start Guide

The example applications as well as additional documentation can be found here: www.silabs.com/CP2114.

Application Notes can be accessed on the Silicon Labs website (www.silabs.com/interface-appnotes) or in Simplicity Studio using the **[Getting Started]>[Application Notes]** area of the launcher.

3. CP2114 Hardware Overview

For information on using the CP2114, see the CP2114 Quick Start Guide, available at www.silabs.com/CP2114.

The following figures show each evaluation board as well as important features.

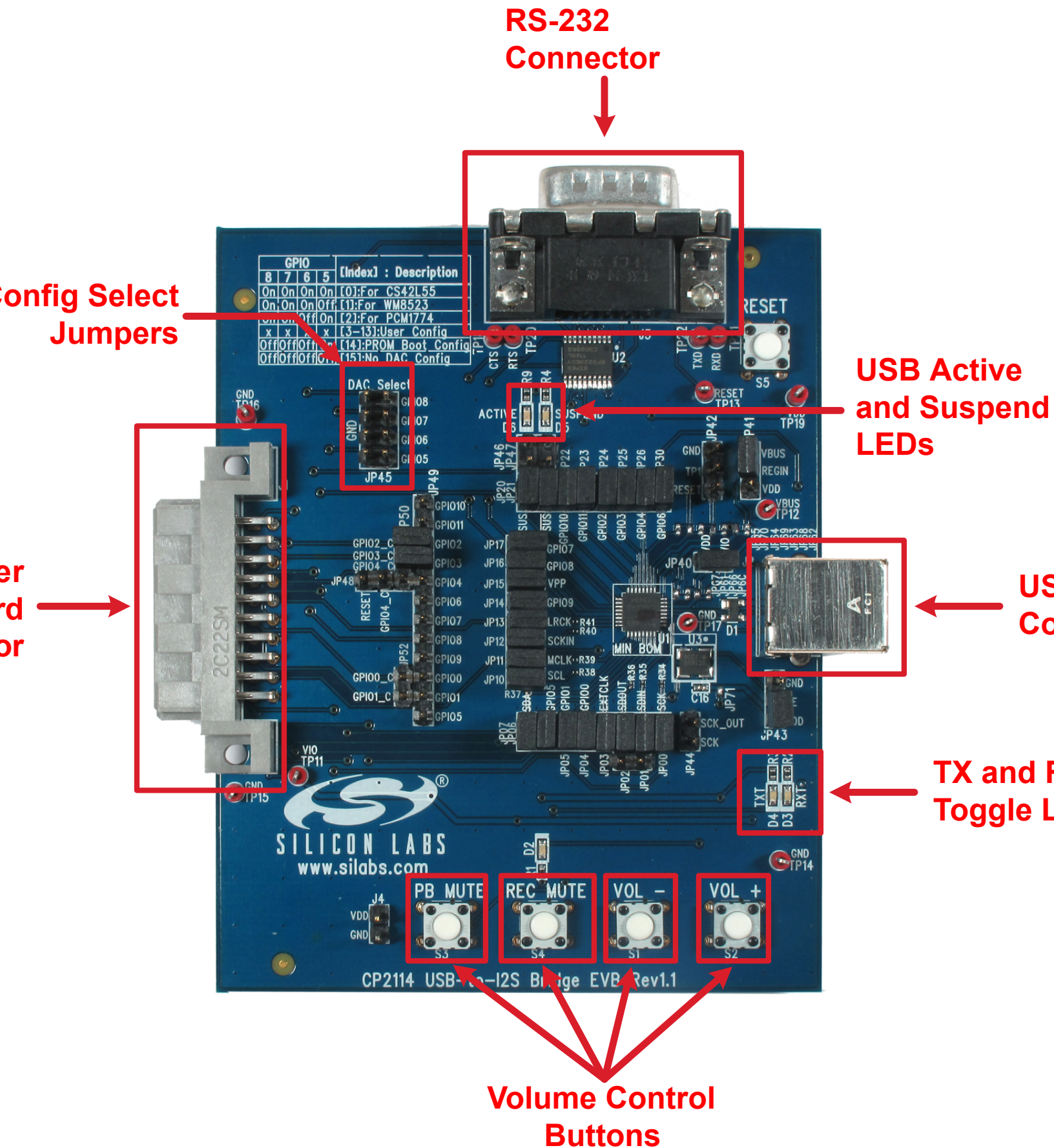


Figure 3.1. CP2114 Evaluation Board Features

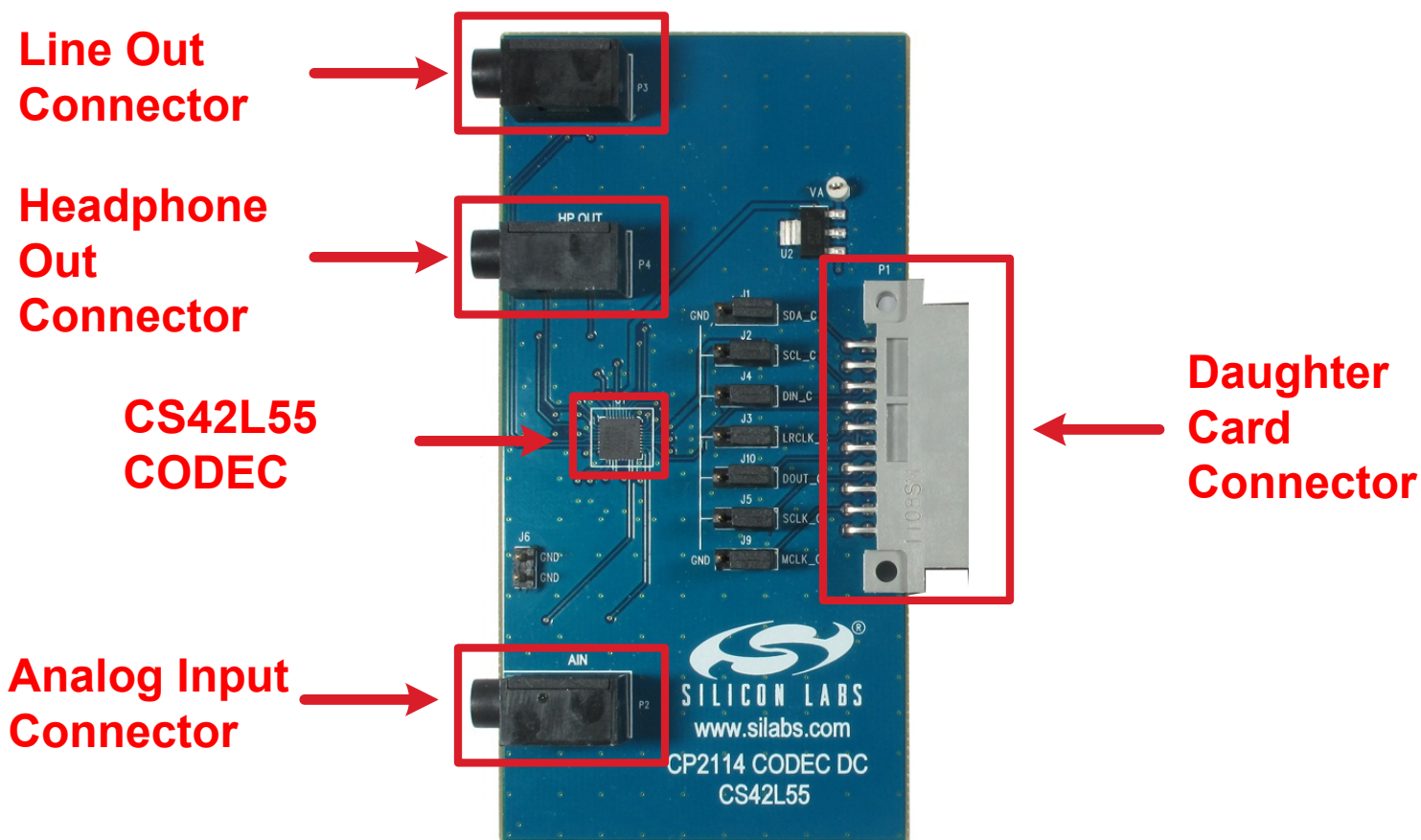


Figure 3.2. CS42L55 Daughter Card Features

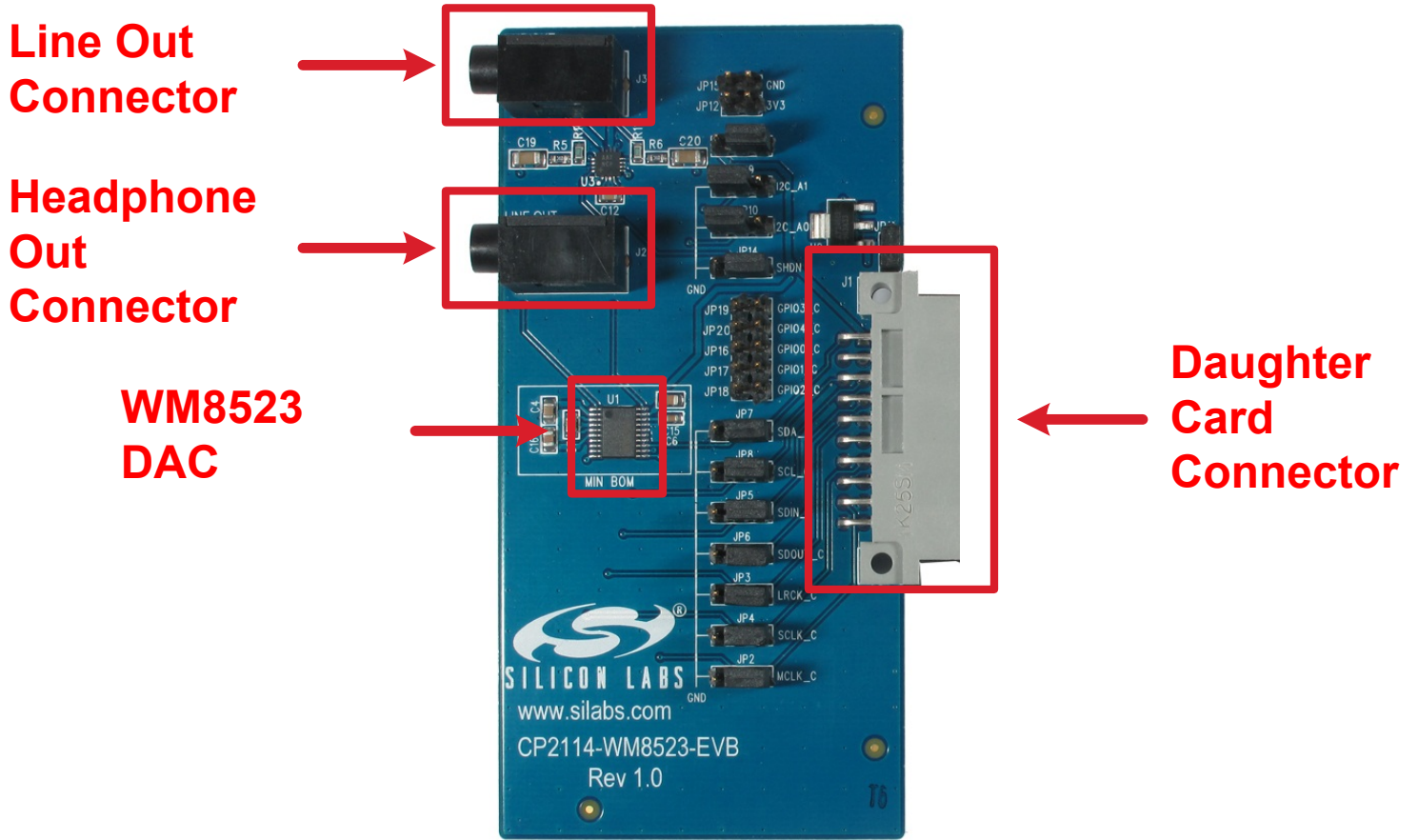


Figure 3.3. WM8523 Daughter Card Features

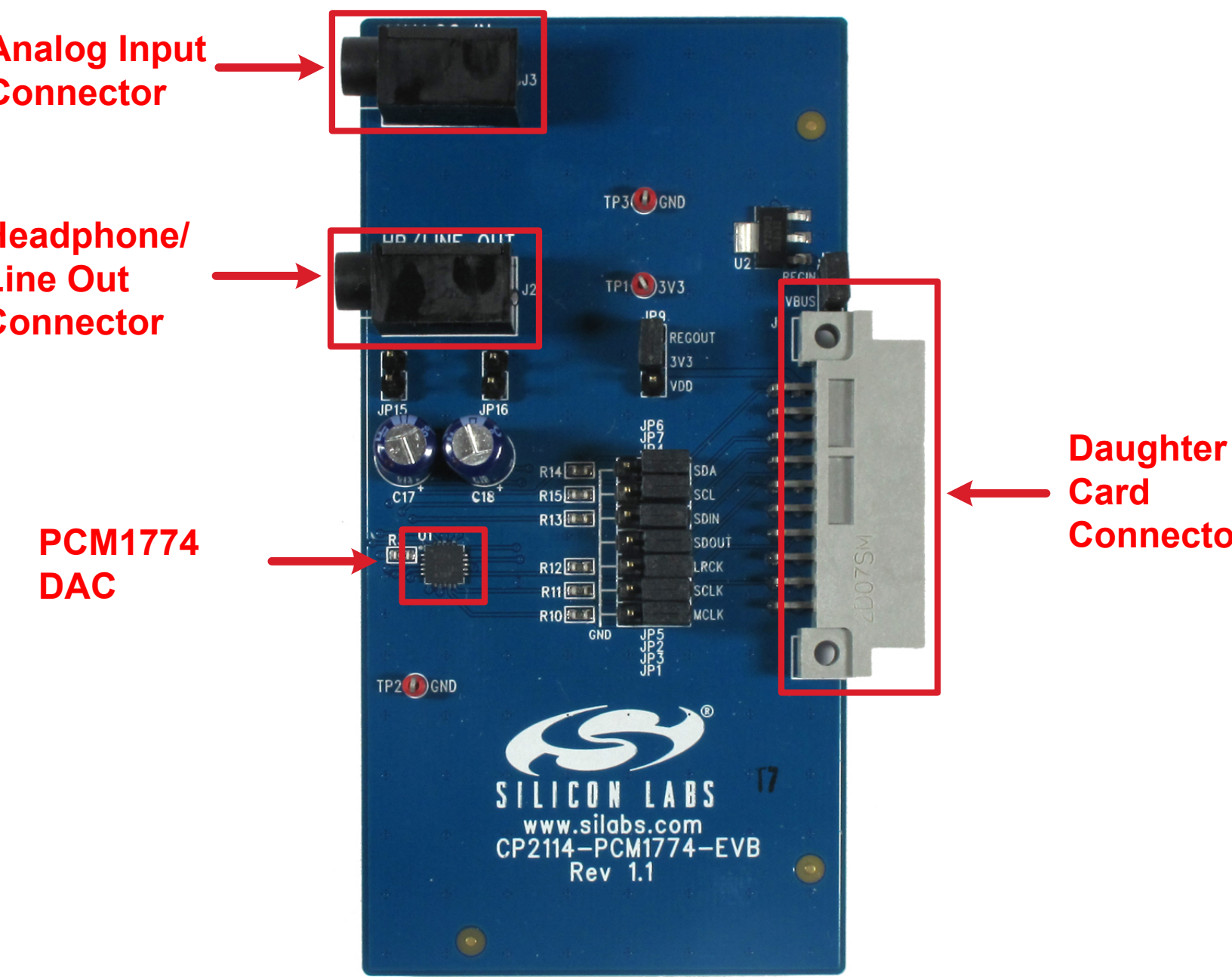


Figure 3.4. PCM1774 Daughter Card Features

Note: Analog audio signals connected to the ANALOG IN jack are not digitized and sent to the host, because the PCM1774 does not contain an ADC (analog to digital converter). The PCM1774 has the ability to route the analog inputs to its headphone/line amplifiers, which may be useful in some applications (e.g. digital music player that includes an analog FM tuner).

4. Audio Playback and Recording

The CP2114 can be configured to operate in any one of the following stereo (2-channel) Play/Record configurations:

- 16-bit Play, 16-bit Record
- 24-bit Play-only
- 16-bit Play-only
- 24-bit Record-only
- 16-bit Record-only

The CP2114 EVB ships with three factory-programmed audio configurations at indices 0, 1, and 2:

Table 4.1. Factory-Programmed CP2114 Audio Configurations

Index	External Device	Play / Record	Clocking	Mode
0	CS42L55 (CODEC)	16-bit Play 16-bit Record	USBCLK: 48 MHz Internal SYSCLK: 48 MHz Internal	Asynchronous
1	WM8523 (DAC)	16-bit Play Record disabled	USBCLK: 48 MHz External SYSCLK: 49.152 MHz Internal	Asynchronous
2	PCM1774 (DAC)	16-bit Play Record disabled	USBCLK: 48 MHz External SYSCLK: 49.152 MHz Internal	Asynchronous

Because the CP2114 uses the in-box USB and audio drivers for Windows/Mac/Linux, it requires no user-installed drivers. Any audio application can be used to play or record audio data.

Note: The CP2114 should be connected directly to a USB port on the host computer, and not through a USB hub. (Many vendors of USB audio interface devices prohibit or discourage the use of USB hubs with their devices, because hubs have been known to cause audio corruption.) Be aware that on many host machines it is common to have multiple USB ports (and possibly internal USB devices) connected to an internal hub, which is functionally equivalent to using an external hub and can therefore cause audio corruption. If experiencing audio corruption, it may be necessary to try connecting the CP2114 to other USB ports on the host computer.

5. Device Customization

Device customization for the CP2114 is described in detail in *AN721: CP210x/CP211x Device Customization Guide*. to be sent to the CP2114 one-time programmable memory or RAM. The audio string is used by the CP2114 to configure the DAC/CODEC.

6. Evaluation Board Overview

6.1 CP2114-EB Overview

The CP2114 Evaluation Kit includes an evaluation board with a CP2114 device pre-installed for user evaluation and software development. Numerous input/output (I/O) connections are provided to facilitate prototyping using the evaluation board. Refer to [Figure 6.1 CP2114 Evaluation Board with Default Shorting Blocks Installed on page 17](#) for the locations of the various I/O connectors.

Table 6.1. CP2114 Evaluation Board Component Overview

Component	Description
J1	Daughter card connector
J2	USB connector for USB interface
J3	DB9 connector for RS-232 interface
JP00-JP30	CP2114 pin connector
JP40	VIO power connector
JP41	REGIN Power Connector and Self-Powered Mode Connector
JP42	Test point connector
JP43	Si500 enable connector
JP44	(JP44 is unused and can be jumpered or unjumpered)
JP45	Config Select jumpers
JP46	Green USB ACTIVE LED connector
JP47	Red USB SUSPEND LED connector
JP48	Daughter card reset connector
JP49	CP2114 GPIO signal header
JP50, JP52	Daughter card GPIO signal header
D2	Red record mute LED
D3	Red receive toggle LED
D4	Red transmit toggle LED
D5	Red USB SUSPEND LED
D6	Green USB ACTIVE LED
SW1-SW4	Audio control buttons
SW5	Reset button

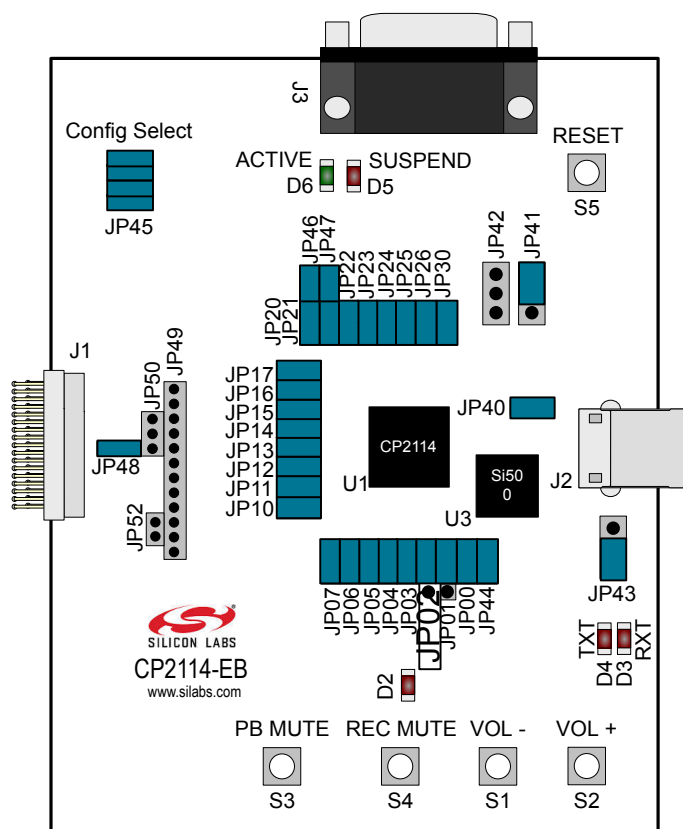


Figure 6.1. CP2114 Evaluation Board with Default Shorting Blocks Installed

6.1.1 Daughter Card Connector (J1)

The J1 connector is used to connect to a CP2114 daughter card.

6.1.2 Universal Serial Bus (USB) Interface (J2)

A Universal Serial Bus (USB) connector (J2) is provided to facilitate connections to the USB interface on the CP2114. See Table 2 for the USB pin definitions.

Table 6.2. USB Connector Pin Descriptions

Pin #	Description
1	VBUS
2	D-
3	D+
4	GND (Ground)

6.1.3 UART Signals (J3)

An RS-232 transceiver circuit and DB9 connector (J3) are provided on the evaluation board to connect the CP2114 to external serial devices. See Table 3 for the RS-232 J3 pin descriptions.

Table 6.3. RS-232 Pin Descriptions

Pin	Signal	CP2114 Direction	Description
2	RXD	Input	Receive Data
3	TXD	Output	Transmit Data
5	GND	—	Ground
7	RTS	Output	Request to Send
8	CTS	Input	Clear to Send

6.1.4 CP2114 Pin Connectors (JP00-JP30)

The JP00-JP30 connectors connect and disconnect CP2114 pins from external circuits. By default, all of these jumpers are populated.

6.1.5 VIO Power Connector (JP40)

This header (JP40) is included on the evaluation board to provide VIO power options. Populating the shorting block connects the CP2114 VIO input (pin 6) to CP2114 VDD (pin 7). Remove the shorting block to power VIO from an external source and connect the power source to pin 2 of the header.

6.1.6 REGIN Power Connector and Self-Powered Mode Connector (JP41)

The JP41 header is used to connect the CP2114 REGIN pin (pin 8) to the VBUS source from the USB connector (default) or to the CP2114 VDD pin (pin 7). When connected to the VBUS source, the device is intended for buspowered operation. When connected to the CP2114 VDD pin, the device is intended for self-powered operation. In self-powered operation, an external power source can be connected to the JP41 header to power the VDD pin directly.

6.1.7 Test Point Connector (JP42)

The JP42 header contains test points and is not used in normal operation.

6.1.8 Si500 Enable Connector (JP43)

The JP43 header controls the output of the external Si500 48 MHz CMOS clock, which must be enabled if either USBCLK or SYSCLK are configured as external. Shorting pin 2 to pin 3 on the header will place the Si500 in powerdown mode, which disables its clock output. Shorting pin 1 to pin 2 on the header will connect CP2114 VDD to the Si500 OE (output enable) pin which is active high, thus always enabling the clock output. The current consumption of the Si500 (and other external clock devices) vastly exceeds the specified maximum USB Suspend-mode current for bus-powered devices of 2.5mA. For systems that are bus-powered and require an external clock, the /SUSPEND signal should be connected to the active-high clock enable signal so that the clock is disabled in Suspend mode. On the CP2114 EVB this can be accomplished by connecting a wire jumper from JP43-2 to JP21-1. External clocks with an active-low enable should be controlled by SUSPEND rather than /SUSPEND.

6.1.9 Config Select Connector (JP45)

The JP45 header is used to select the CP2114 boot configuration after a reset. When a jumper is populated, the corresponding GPIO pin is connected to ground. When a jumper is removed, the corresponding GPIO pin is weakly pulled high.

Note: If any of the four CFGSEL pins are configured for a function other than CFGSEL, the CP2114 will not use the Config Select pins to choose a boot configuration. In that case, the current value of the OTP Boot Config element determines which configuration will be loaded at powerup or reset.

6.1.10 Green USB ACTIVE LED and Connector (JP46, D6)

The JP46 header is used to connect the CP2114 SUSPEND pin (pin 18) to the D6 green LED. When the LED is on, the device has enumerated with the PC operating normally. When the LED is off, the device has not yet enumerated or is in the USB Suspend state.

6.1.11 Red USB SUSPEND LED and Connector (JP47, D5)

The JP47 header is used to connect the CP2114 /SUSPEND pin (pin 17) to the D5 red LED. When the LED is on, the device has enumerated with the PC operating normally. When the LED is off, the device has not yet enumerated or is in the USB Suspend state.

6.1.12 Daughter Card Reset Connector (JP48)

The JP48 header connects RESET to the GPIO4_C pin on the daughter card connector (J1). On the CS42L55 daughter card, GPIO4_C is connected to the CS42L55 RESET pin. The GPIO4_C pin is unconnected on the WM8523 and PCM1774 daughter cards because these DACs do not have a hardware reset input. By default the JP48 jumper is installed, which results in the CS42L55 being reset at powerup (when the CP2114 drives RESET), or whenever the Reset pushbutton is pressed.

Note: If JP48 is jumpered, there must not be a jumper installed between JP49-5 (GPIO4) and JP50-3 (GPIO4_C), because this would cause the CP2114 to be reset whenever GPIO4 was set to logic low.

6.1.13 CP2114 GPIO Signal Connector (JP49)

The connector JP49 provides easy access to all of the CP2114 GPIO signals.

6.1.14 Daughter Card Signal Header (JP50, JP52)

The headers JP50 and JP52 allow the connection of GPIO0-4 signals to the corresponding daughter card signals (GPIOx_C). These jumpers can be used to route the appropriate GPIO signals to a custom daughter card.

Note: If there is a jumper installed between JP49-5 (GPIO4) and JP50-3 (GPIO4_C), JP48 must not be jumpered because this would cause the CP2114 to be reset whenever GPIO4 was set to logic low.

6.1.15 Audio Control Buttons and Red Record Mute LED (SW1-SW4, D2)

SW1 through SW4 send audio control commands when pressed. In addition, the red record mute LED (D2) will turn on when the record mute button is pressed (SW4).

Table 6.4. Audio Control Buttons

LED	Pins
S1	Volume-
S2	Volume+
S3	Playback Mute
S4	Record Mute

6.1.16 Red Receive Toggle and Transmit Toggle LEDs (D3, D4)

The LEDs D3 and D4 will toggle when transmitting and receiving UART data. In order to use this functionality, the GPIO pins must first be configured for TX Toggle and RX Toggle modes. By default, these pins are configured as CFGSEL0 and CFGSEL1.

6.1.17 Reset Button (SW5)

SW5 externally pulls the CP2114 reset pin (pin 10) low when pressed. If SW5 is held down, the CP2114 will remain in reset until the button is released.

6.2 CS42L55-EB Overview

The CS42L55 evaluation board contains a pre-installed CS42L55 for evaluation and preliminary software development with the CP2114 evaluation board. Refer to [Figure 6.2 CS42L55 Evaluation Board with Default Shorting Blocks Installed](#) on page 20 for the locations of the various I/O connectors on the CS42L55-EB.

Table 6.5. CS42L55 Evaluation Board Component Overview

Component	Description
P1	Daughter card connector
P2	Analog input connector
P3	Line output connector
P4	Headphone output connector
J1-J5	I2S/I2C signal connectors
J9, J10	I2S/I2C signal connectors

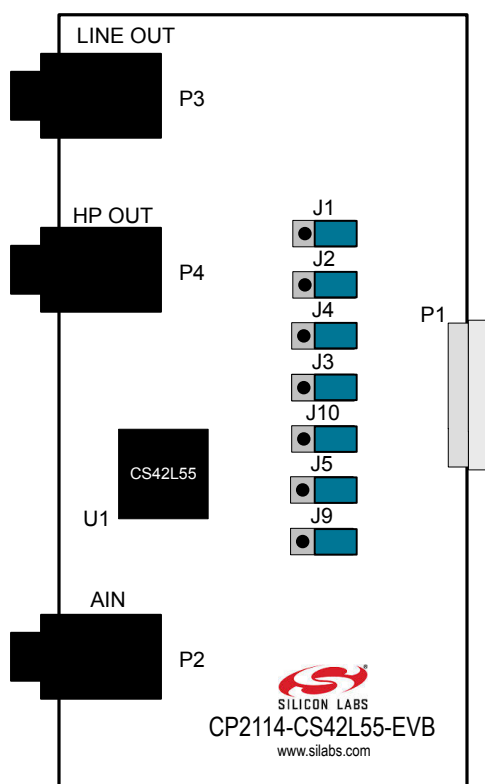


Figure 6.2. CS42L55 Evaluation Board with Default Shorting Blocks Installed

6.2.1 Daughter Card Connector (P1)

The P1 connector is used to connect to a CP2114 evaluation board (CP2114-EB). The CS42L55-EB must be plugged into a CP2114 evaluation board to function properly.

6.2.2 Analog Input Connector (P2)

The P2 connector is used to connect an input device to the CS42L55 evaluation board.

6.2.3 Line Output Connector (P3)

The P3 connector is used to connect powered speakers to the CS42L55 evaluation board.

6.2.4 Headphone Output Connector (P4)

The P4 connector is used to connect headphones to the CS42L55 evaluation board.

6.2.5 I2S/I2C Signal Connectors (JP1-JP5, JP9, JP10)

Connectors JP1 through JP7, JP9, and JP10 are provided to allow access to the I2S/I2C signals between the CP2114 and CS42L55. Placing a shorting block between pins 1 and 2 will connect the CP2114 to the CS42L55. Placing a shorting block between pins 2 and 3 will connect the corresponding CS42L55 pin to ground. When monitoring the I2S signals, connect the scope probe ground lead to the adjacent ground pin.

6.3 WM8523-EB Overview

The WM8523 evaluation board contains a pre-installed WM8523 for evaluation and preliminary software development with the CP2114 evaluation board. Refer to [Figure 6.3 WM8523 Evaluation Board with Default Shorting Blocks Installed](#) on page 22 for the locations of the various I/O connectors on the WM8523-EB.

Table 6.6. WM8523 Evaluation Board Component Overview

Component	Description
J1	Daughter card connector
J2	Line output connector
J3	Headphone output connector
JP2-JP10	I2S and I2C signal connectors
JP11	Voltage regulator input connector
JP12	WM8523 supply voltage header
JP13	WM8523 supply voltage connector
JP14	Headphone amplifier SHDN header
JP15	Ground header
JP16-JP20	GPIO header for SHDN control

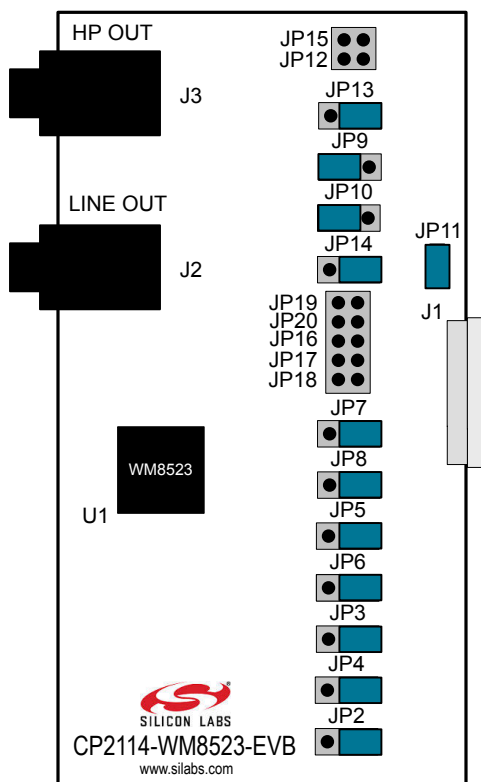


Figure 6.3. WM8523 Evaluation Board with Default Shorting Blocks Installed

6.3.1 Daughter Card Connector (J1)

The J1 connector is used to connect to a CP2114 evaluation board (CP2114-EB). The WM8253-EB must be plugged into a CP2114 evaluation board to function properly.

6.3.2 Line Output Connector (J2)

The J2 connector is used to connect powered speakers to the WM8253 evaluation board.

6.3.3 Headphone Output Connector (J3)

The J3 connector is used to connect headphones to the WM8253 evaluation board.

6.3.4 I2S/I2C Signal Connectors (JP2-JP10)

Connectors JP2 through JP10 are provided to allow access to the I2S/I2C signals between the CP2114 and WM8253. Placing a shorting block between pins 1 and 2 will connect the CP2114 to the WM8253. Placing a shorting block between pins 2 and 3 will connect the corresponding WM8253 pin to ground. When monitoring the I2S signals, connect the scope probe ground lead to the adjacent ground pin.

6.3.5 Voltage Regulator Connector (JP11)

The JP11 connector is used to connect the VBUS signal being supplied to the CP2114 to the input of the voltage regulator on the WM8253 evaluation board. Installing this jumper connects the VBUS signal to the regulator output. If another voltage supply is used, JP11 should be removed and the supply should be connected to pin 2 of the header.

6.3.6 WM8253 Supply Voltage Header (JP12)

The JP12 header provides access to the WM8253 supply voltage.

6.3.7 WM8253 Supply Voltage Connector (JP13)

This header (JP13) is included on the evaluation board to provide several power options for the WM8253. The following describes the function of each pin:

- Shorting pins 1,2—Connects the regulator output on the WM8253-EB to the supply of the WM8253.
- Shorting pins 2,3—Connects the CP2114 VDD (CP2114 pin 7) to the supply of the WM8253.

6.3.8 Headphone Amplifier SHDN Header (JP14, JP16–JP20)

The jumpers JP14 and JP16-JP20 control the headphone amplifier shutdown (SHDN) pin. The headphone amplifier is enabled when SHDN is high and disabled when SHDN is low. In the default configuration (jumper shorting pins 1 and 2), the headphone amp is always enabled. Shorting pins 2 and 3 on JP14 will disable the headphone amplifier. Removing JP14 and connecting one of JP16-JP20 allows the host to control the headphone amp via GPIO pin. In this case, the corresponding GPIO-GPIO_C jumper must also be installed on the CP2114-EK board.

6.3.9 Ground Header (JP15)

The JP15 header provides access to ground.

6.4 PCM1774-EB Overview

The PCM1774 evaluation board includes contains a pre-installed a PCM1774 for evaluation and preliminary software development with the CP2114 evaluation board. Refer to [Figure 6.4 PCM1774 Evaluation Board with Default Shorting Blocks Installed](#) on page 24 for the locations of the various I/O connectors on the PCM1774-EB.

Table 6.7. PCM1774 Evaluation Board Component Overview

Component	Description
J1	Daughter card connector
J2	Headphone/line output connector
J3	Analog input connector
JP1-JP7	I2S signal connectors
JP8	Voltage regulator connector
JP9	PCM1774 supply voltage connector
JP15, JP16	External capacitor connectors

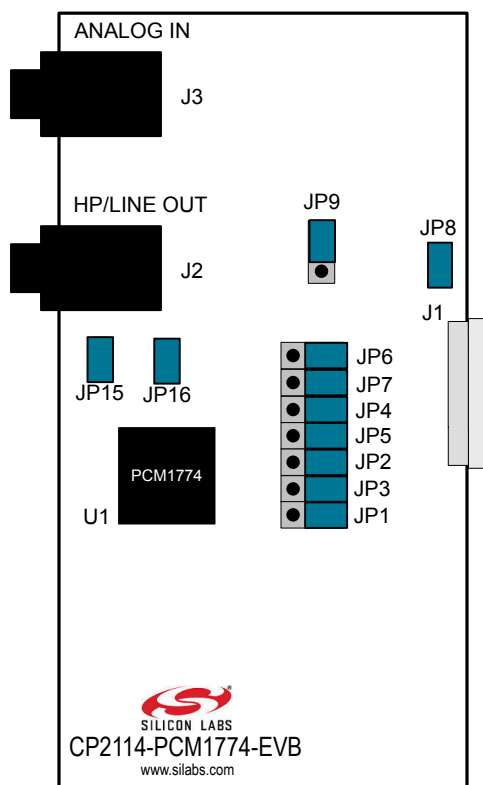


Figure 6.4. PCM1774 Evaluation Board with Default Shorting Blocks Installed

6.4.1 Daughter Card Connector (J1)

The J1 connector is used to connect to a CP2114 evaluation board (CP2114-EB). The PCM1774-EB must be plugged into a CP2114 evaluation board to function properly.

6.4.2 Headphone/Line Output Connector (J2)

The J2 connector is used to connect headphones or powered speakers to the PCM1774 evaluation board.

6.4.3 Analog Input Connector (J3)

The J3 connector is used to connect an input device to the PCM1774 evaluation board.

Note: Analog audio signals connected to the ANALOG IN jack are not digitized and sent to the host, because the PCM1774 does not contain an ADC (analog to digital converter). The PCM1774 has the ability to route the analog inputs to its headphone/line amplifiers, which may be useful in some applications (e.g. digital music player that includes an analog FM tuner).

6.4.4 I2S/I2C Signal Connectors (JP1–JP7)

Connectors JP1 through JP7 are provided to allow access to the I2S/I2C signals between the CP2114 and PCM1774. Placing a shorting block between pins 1 and 2 will connect the CP2114 to the PCM1774. Placing a shorting block between pins 2 and 3 will connect the corresponding PCM1774 pin to ground. When monitoring the I2S signals, connect the scope probe ground lead to the adjacent ground pin.

6.4.5 Voltage Regulator Connector (JP8)

The JP8 connector is used to connect the VBUS signal being supplied to the CP2114 to the input of the voltage regulator on the PCM1774 evaluation board. Installing this jumper connects the VBUS signal to the regulator output. If another voltage supply is used, JP8 should be removed and the supply should be connected to pin 2 of the header.

6.4.6 PCM1774 Supply Voltage Connector (JP9)

This header (JP9) is included on the evaluation board to provide several power options for the PCM1774. The following describes the function of each pin:

- Shorting pins 1,2—Connects the regulator output on the PCM1774-EB to the supply of the PCM1774.
- Shorting pins 2,3—Connects the CP2114 VDD (CP2114 pin 7) to the supply of the PCM1774.

6.4.7 External Capacitor Connectors (JP15, JP16)

The JP15 and JP16 connectors allow external capacitors to be connected to the HP/LINE OUT connector. For best low frequency response (35 Hz cutoff), remove the jumpers on JP15 and JP16. For maximum power output (45 Hz cutoff), place the jumpers on JP15 and JP16.

7. Schematics and BOM

The schematics and bill of materials (BOM) for the CP2114 Evaluation Kit and the various daughter cards are available through Simplicity Studio when the kit documentation package has been installed. To access these documents, click the **[Documentation]** link after selecting the device in the left pane or search for the document using the search bar at the top.

8. Revision History

8.1 Revision 0.2

July 27th, 2016

Updated formatting.

Updated for CP2114-B02.

Added the UG245 document reference.

8.2 Revision 0.1

October 2012

Initial revision.

Silicon Labs

Simplicity Studio™4



Simplicity Studio

One-click access to MCU and wireless tools, documentation, software, source code libraries & more. Available for Windows, Mac and Linux!



IoT Portfolio
www.silabs.com/loT



SW/HW
www.silabs.com/simplicity



Quality
www.silabs.com/quality



Support and Community
community.silabs.com

Disclaimer

Silicon Labs intends to provide customers with the latest, accurate, and in-depth documentation of all peripherals and modules available for system and software implementers using or intending to use the Silicon Labs products. Characterization data, available modules and peripherals, memory sizes and memory addresses refer to each specific device, and "Typical" parameters provided can and do vary in different applications. Application examples described herein are for illustrative purposes only. Silicon Labs reserves the right to make changes without further notice and limitation to product information, specifications, and descriptions herein, and does not give warranties as to the accuracy or completeness of the included information. Silicon Labs shall have no liability for the consequences of use of the information supplied herein. This document does not imply or express copyright licenses granted hereunder to design or fabricate any integrated circuits. The products are not designed or authorized to be used within any Life Support System without the specific written consent of Silicon Labs. A "Life Support System" is any product or system intended to support or sustain life and/or health, which, if it fails, can be reasonably expected to result in significant personal injury or death. Silicon Labs products are not designed or authorized for military applications. Silicon Labs products shall under no circumstances be used in weapons of mass destruction including (but not limited to) nuclear, biological or chemical weapons, or missiles capable of delivering such weapons.

Trademark Information

Silicon Laboratories Inc.®, Silicon Laboratories®, Silicon Labs®, SiLabs® and the Silicon Labs logo®, Bluegiga®, Bluegiga Logo®, Clockbuilder®, CMEMS®, DSPLL®, EFM®, EFM32®, EFR®, Ember®, Energy Micro, Energy Micro logo and combinations thereof, "the world's most energy friendly microcontrollers", Ember®, EZLink®, EZRadio®, EZRadioPRO®, Gecko®, ISOModem®, Precision32®, ProSLIC®, Simplicity Studio®, SiPHY®, Telegesis, the Telegesis Logo®, USBXpress® and others are trademarks or registered trademarks of Silicon Labs. ARM, CORTEX, Cortex-M3 and THUMB are trademarks or registered trademarks of ARM Holdings. Keil is a registered trademark of ARM Limited. All other products or brand names mentioned herein are trademarks of their respective holders.



SILICON LABS

Silicon Laboratories Inc.
400 West Cesar Chavez
Austin, TX 78701
USA

<http://www.silabs.com>