

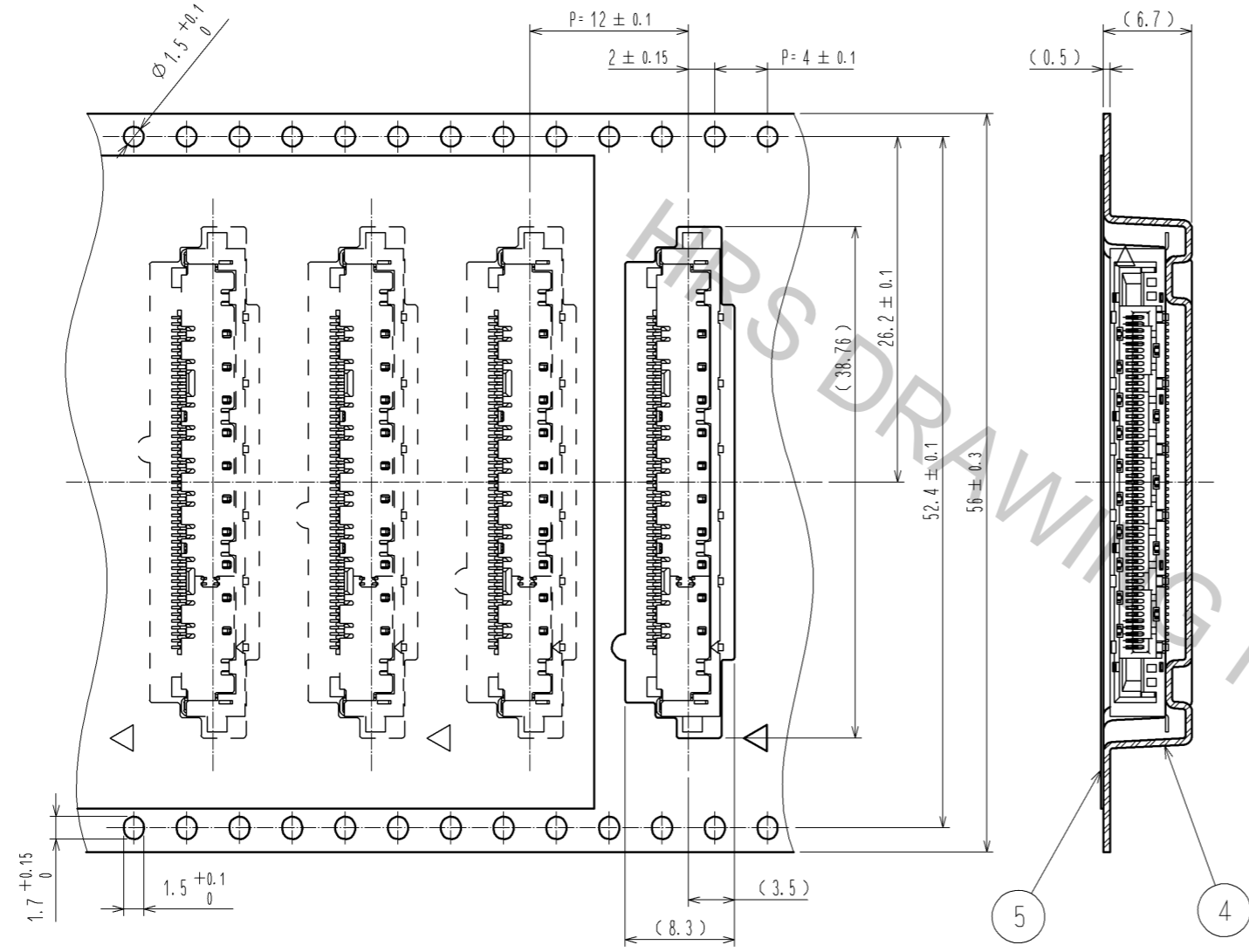
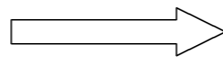
- NOTE 1 LEAD CO-PLANARITY OF THIS PRODUCT TO BE 0.1MAX.  
 2 AREA OF INNER SMT LAND REQUIRES PATTERN PROHIBITION OR RESIST TREATMENT TO PREVENT THE PATTERN TOUCHING TO THE CONTACTS.  
 3 ( ) INDICATES A REFERENCE DIMENSION.  
 4 MANUFACTURING PROCESS COULD LEAVE SCRATCH AND/OR PUNCH MARKS HAVING NO AFFECT ON THE PRODUCT PERFORMANCE.  
 5 PACKAGING FOR THIS PRODUCT APPLIES EMBOSSED CARRIER TAPE PACKAGING.

RECOMMENDED LAND PATTERN DIMENSION  
 (METAL MASK THICKNESS: t=0.12)

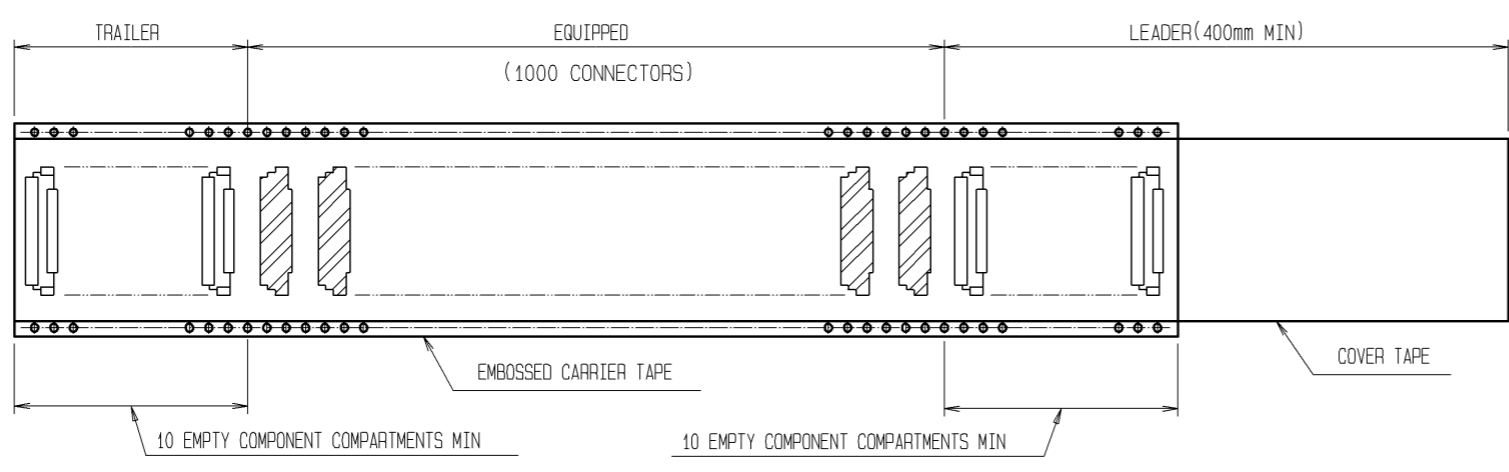
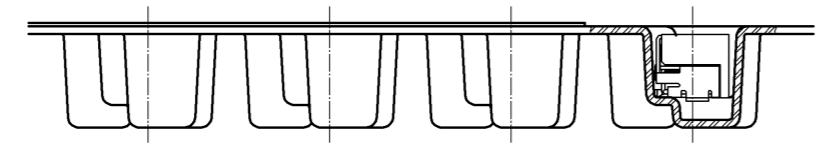
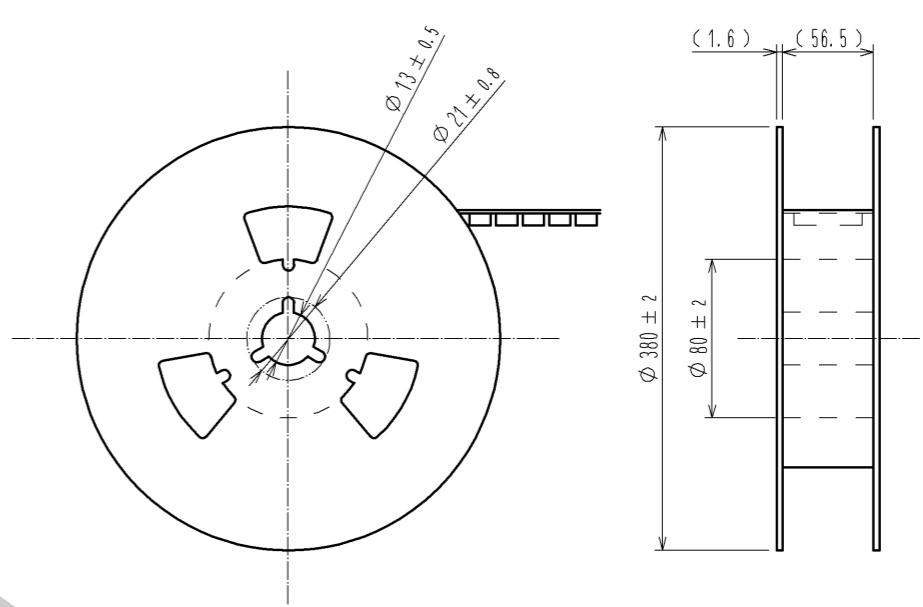
2	BRASS	OVER PLATING:TIN PLATING 1μm min UNDER PLATING:NICKEL 2μm min	5	PE	(COVER TAPE)
1	PA	BLACK. UL94V-0	4	PS	(EMBOSSED CARRIER TAPE)
			3	PHOSPHOR BRONZE	CONTACT AREA:GOLD 0.1μm min LEAD AREA:GOLD 0.03μm min UNDER PLATING:NICKEL 1μm min
NO.	MATERIAL	FINISH . REMARKS	NO.	MATERIAL	FINISH . REMARKS
UNITS mm		SCALE 5 : 1	COUNT 1	DESCRIPTION OF REVISIONS DIS-F-006350	
		DESIGNED CR. TAKESHIMA	CHECKED HT. YAMAGUCHI		DATE 12.08.24
<b>HRS</b> HIROSE ELECTRIC CO., LTD.		APPROVED : HS. OKAWA 10.04.20	DRAWING NO. EDC3-330633-00		
		CHECKED : HT. YAMAGUCHI 10.04.20	PART NO. FX16M2-51S-0.5SH		
		DESIGNED : KN. SHIBUYA 10.04.19	CODE NO. CL575-3004-1-00		
		DRAWN : TP. MATSUMOTO 10.03.19	1/2		

DRAWING FOR PACKING (2:1)

THE DIRECTION OF PULLING OUT



REELED DIMENSION (FREE)



<b>HRS</b>	DRAWING NO.	EDC3-330633-00	2/2
	PART NO.	FX16M2-51S-0.5SH	
	CODE NO.	CL575-3004-1-00	

Apr.1.2017 Copyright 2017 HIROSE ELECTRIC CO., LTD. All Rights Reserved.