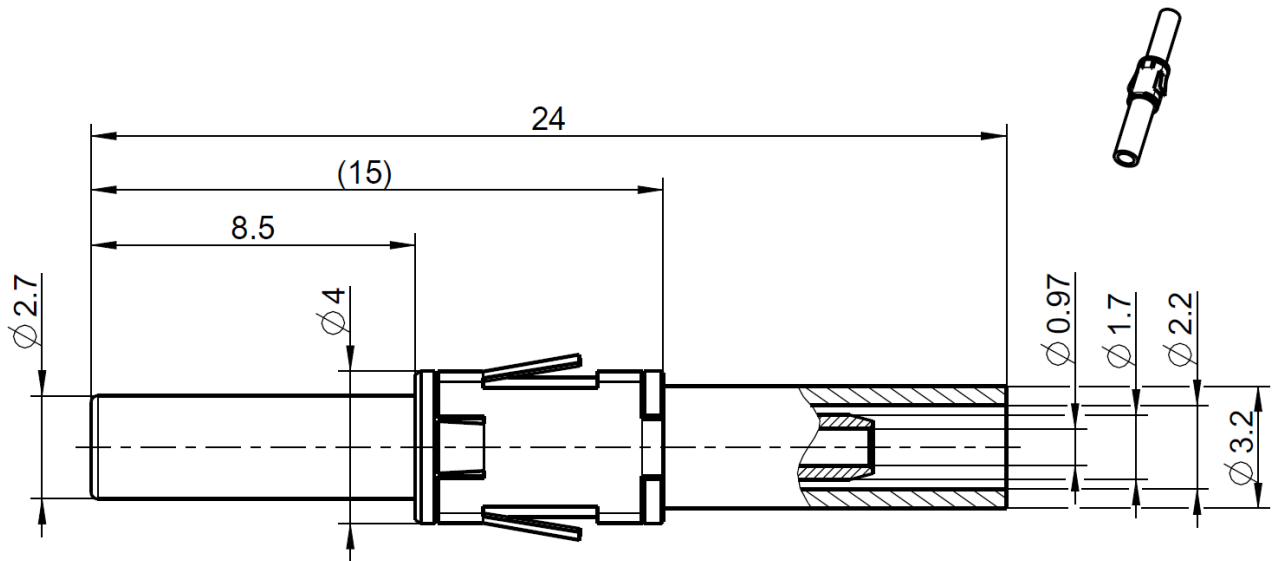


MF

straight plug

MF1S111-101L5-NM



All dimensions are in mm; tolerances according to ISO 2768 m-H

Interface

According to N/A

Documents

Assembly instruction MA_MF-A8
 Panel piercing MB_385

Material and plating

Connector parts

Center contact
 Outer contact
 Body
 Dielectric
 Crimping ferrule

Material

Spring bronze
 Spring bronze
 Spring bronze
 PTFE
 Brass

Plating

AuroDur®, gold plated
 AuroDur®, gold plated
 White bronze(e.g. Optalloy®)
 Flash white bronze over silver(e.g. Optargen®)

Dieses Dokument ist urheberrechtlich geschützt • This document is protected by copyright • Rosenberger Hochfrequenztechnik GmbH & Co. KG

RF_35/05.10/6.0

MF

straight plug

MF1S111-101L5-NM

Electrical data

Impedance 50 Ω
 Frequency DC to 2 GHz
 Return loss ≥ 30 dB, DC to 1 GHz
 ≥ 20 dB, DC 1 to 2 GHz
 Insertion loss $\leq 0.1 \times \sqrt{f [GHz]}$ dB TBM
 Insulation resistance $\geq 5 \times 10^3 M\Omega$
 Center contact resistance initial $\leq 40 m\Omega$
 Outer contact resistance initial $\leq 10 m\Omega$
 Test voltage (at sea level) 500 V
 Working voltage (at sea level) 335 V
 Contact current typ. 1,5 A DC max.

Mechanical data

Mating cycles up to 100.000
 Engagement force 1 N
 Disengagement force 1 N

Environmental data

Temperature range -25°C .. +85°C
 Thermal shock(optional) MIL-STD-202, Meth. 107, Cond. B TBM
 Corrosion(optional) MIL-STD-202, Meth. 101, Cond. B TBM
 Vibration(optional) MIL-STD-202, Meth. 204, Cond. D TBM
 Shock(optional) MIL-STD-202, Meth. 213, Cond. I TBM
 Moisture resistance(optional) MIL-STD-202, Meth. 106 TBM
 RoHS compliant

Tooling

Crimping tool (optional) 11W150-000
 Crimp insert (optional) 11W150-401

Suitable cables

RG 178

Packing

Standard 50 pcs in bag
 Weight 1.1 g/pce

While the information has been carefully compiled to the best of our knowledge, nothing is intended as representation or warranty on our part and no statement herein shall be construed as recommendation to infringe existing patents. In the effort to improve our products, we reserve the right to make changes judged to be necessary.

Draft	Date	Approved	Date	Rev.	Engineering change number	Name	Date
G.Lapper	27/04/11	C. Kainzmaier	02.11.15	a00	15-s389	S.Hofmeister	02.11.15