

Customer Information Sheet

DRAWING No.: F10-295XX46R

SHEET 3 OF 4

IF IN DOUBT - ASK

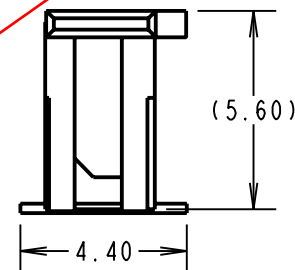
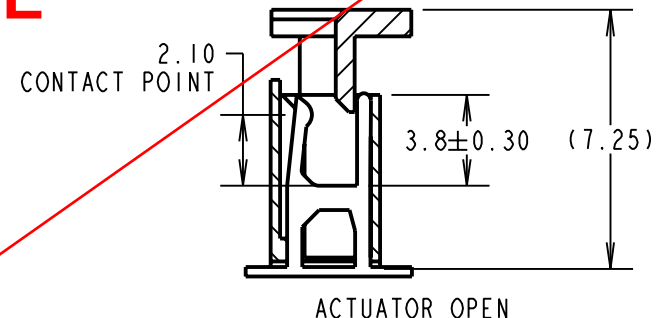
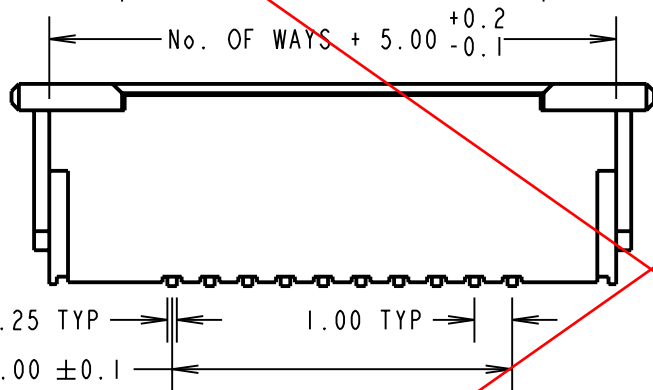
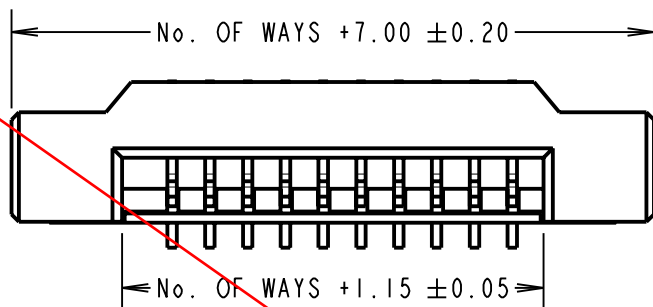
©

NOT TO SCALE

THIRD ANGLE PROJECTION

ALL DIMENSIONS IN mm

OBSOLETE



ORDER CODE:
F10-295XX46R

No. OF WAYS: 30 TO 38

FINISH: 46 = 100% TIN

SPECIFICATIONS:

MATERIAL:

MOULDING = HIGH TEMPERATURE PPS,
UL94V-0

CONTACTS & RETAINER = PHOSPHOR BRONZE

FINISH:

CONTACTS = 0.4μ 100% TIN OVER 0.2μ NICKEL
RETAINER = 0.4μ 100% TIN OVER 0.2μ NICKEL

ELECTRICAL:

CURRENT RATING = 1A AC/DC MAX
VOLTAGE RATING = 125V AC/DC MAX
CONTACT RESISTANCE = 20 MILLIOHMS MAX
INSULATION RESISTANCE = 100 MEGAOHMS MIN.
DIELECTRIC WITHSTANDING = 500V AC (1 MINUTE)

NOTES:

- ALL TOLERANCES ARE $\pm 0.20\text{mm}$ UNLESS OTHERWISE STATED.
- FOR REELING DETAILS SEE SHEET 4.

MECHANICAL:

FPC RETENTION FORCE = $3.9N + (0.5 \times \text{No. OF WAYS}) \text{ MIN}$
DURABILITY = 30 CYCLES

ENVIRONMENTAL:

TEMPERATURE RANGE = -20°C TO $+85^\circ\text{C}$
RESISTANCE TO SOLDER HEAT = 350°C FOR 3 SECONDS
FOR COMPLETE SPECIFICATION SEE COMPONENT SPECIFICATION C030XX (LATEST ISSUE)

SB	8	01.04.11	10825
NAME	ISS.	DATE	C/NOTE
APPROVED:		S. BENNETT	
CHECKED:		R. ADDE	
DRAWN:		W. J. BOURNE	
CUSTOMER REF.:			
ASSEMBLY DRG:			

HARWIN

HARWIN USA
TEL: 603 893 5376
FAX: 603 893 5396
mis@harwin.com

HARWIN Europe (UK)
TEL: 023 9231 4545
FAX: 023 9231 4590
mis@harwin.co.uk

HARWIN Asia
TEL: +65 6 779 4909
FAX: +65 6 779 3868
mis@harwin.com.sg

THIS DRAWING AND ANY INFORMATION OR DESCRIPTIVE MATTER SET OUT HEREON ARE CONFIDENTIAL AND COPYRIGHT PROPERTY OF THE HARWIN GROUP AND MUST NOT BE DISCLOSED, LOANED, COPIED OR USED FOR MANUFACTURING, TENDERING OR FOR ANY OTHER PURPOSE WITHOUT THEIR WRITTEN PERMISSION.

TOLERANCES

X. = $\pm 1\text{mm}$
X.X = $\pm 0.25\text{mm}$
X.XX = $\pm 0.10\text{mm}$
X.XXX = $\pm 0.01\text{mm}$

ANGLES = $\pm 5^\circ$

UNLESS STATED

MATERIAL:

SEE ABOVE

FINISH: SEE ABOVE

S/AREA: mm²

TITLE:

1.00mm PITCH SMT VERTICAL FPC CONNECTOR (TAPE & REEL)

DRAWING NUMBER:

F10-295XX46R

SHT
3 OF 4

Customer Information Sheet

DRAWING No.: F10-295XX46R

SHEET 4 OF 4

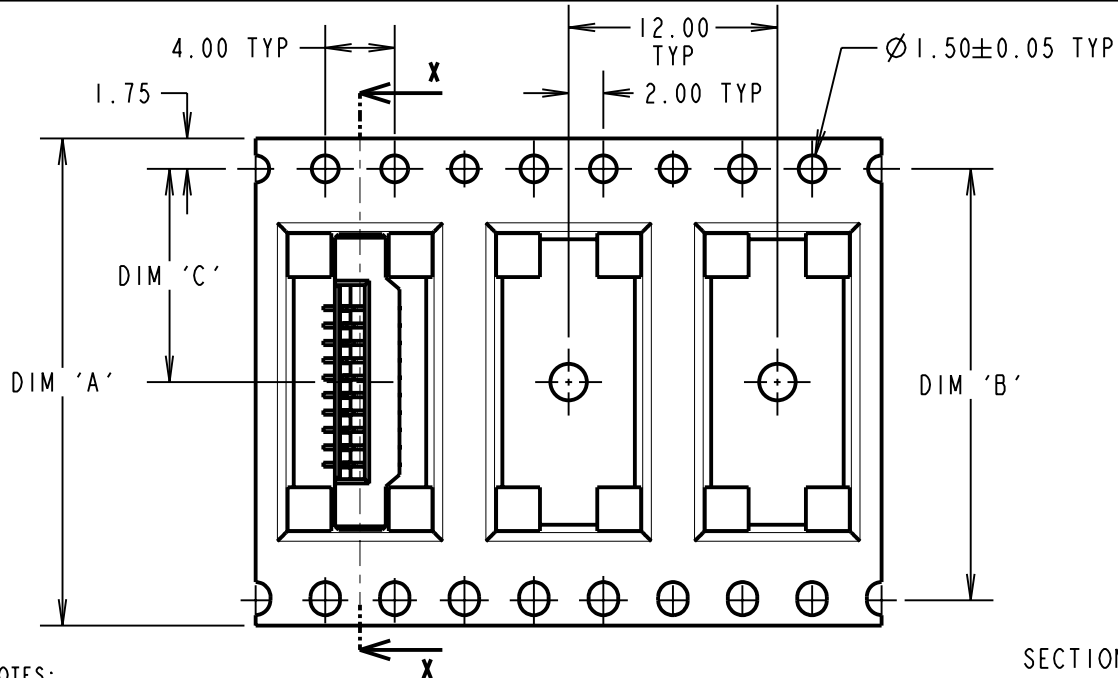
IF IN DOUBT - ASK

©

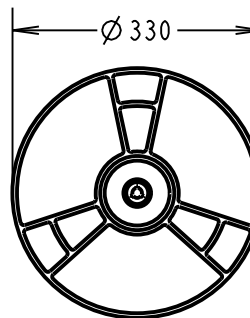
NOT TO SCALE

THIRD ANGLE PROJECTION

ALL DIMENSIONS IN mm

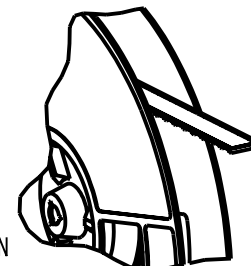


SECTION X-X



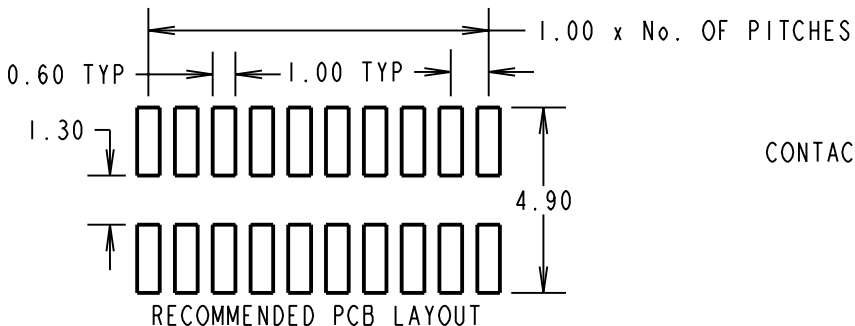
REEL DETAILS

FINISHED REELING DIRECTION

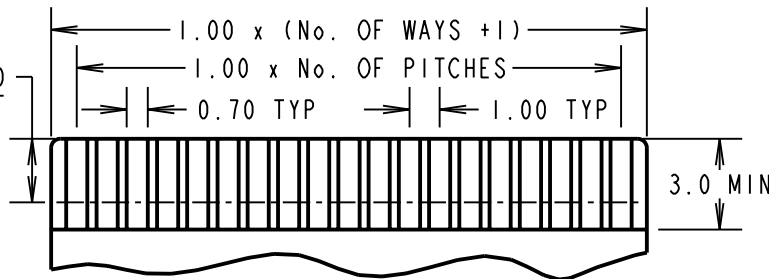


- NOTES:
- FOR CONNECTOR DIMENSIONS SEE SHEET 3.
 - QUANTITY OF COMPONENTS PER REEL = 1000.
 - TAPE & REELING TO BE IN ACCORDANCE WITH ELECTRONIC INDUSTRIES ASSOCIATION EIA-481

HARWIN PART No.	No. OF WAYS	DIM 'A' ±0.20	DIM 'B' ±0.20	DIM 'C' ±0.20
F10-295XX46R	03 TO 11	24.0	28.4	11.5
	12 TO 15	32.0	28.4	14.2
	16 TO 26	44.0	40.4	20.2
	27 TO 38	56.0	52.4	26.2



RECOMMENDED FPC LAYOUT
(THICKNESS = 0.30 ± 0.03)



SB	8	01.04.11	10825
NAME	ISS.	DATE	C/NOTE
APPROVED:		S.BENNETT	
CHECKED:		R.ADDE	
DRAWN:		W. J. BOURNE	
CUSTOMER REF.:			
ASSEMBLY DRG.:			

HARWIN

HARWIN USA TEL: 603 893 5376 FAX: 603 893 5396 mis@harwin.com	HARWIN Europe (UK) TEL: 023 9231 4545 FAX: 023 9231 4590 mis@harwin.co.uk	HARWIN Asia TEL: +65 6 779 4909 FAX: +65 6 779 3868 mis@harwin.com.sg
--	--	--

THIS DRAWING AND ANY INFORMATION OR DESCRIPTIVE MATTER SET OUT HEREON ARE CONFIDENTIAL AND COPYRIGHT PROPERTY OF THE HARWIN GROUP AND MUST NOT BE DISCLOSED, LOANED, COPIED OR USED FOR MANUFACTURING, TENDERING OR FOR ANY OTHER PURPOSE WITHOUT THEIR WRITTEN PERMISSION.

TOLERANCES
X. = ±1mm
X.X = ±0.25mm
X.XX = ±0.10mm
X.XXX = ±0.01mm
ANGLES = ±5°
UNLESS STATED

MATERIAL:
SEE ABOVE
FINISH: SEE ABOVE
S/AREA: mm²

TITLE:
1.00mm PITCH SMT VERTICAL FPC CONNECTOR (TAPE & REEL)
DRAWING NUMBER:
F10-295XX46R
SHT 4 OF 4